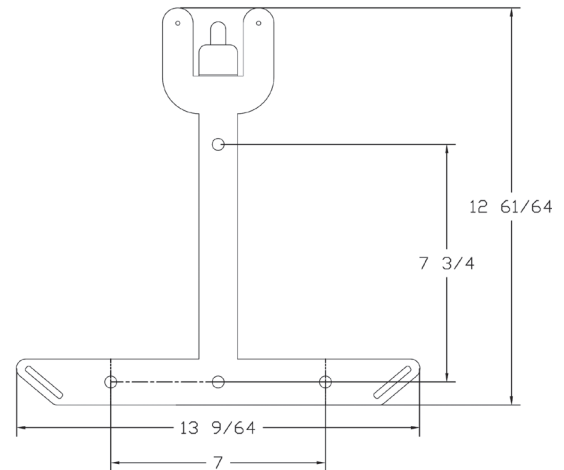
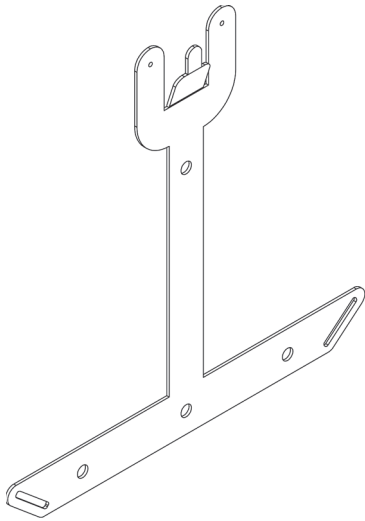


QUIC-STORAGE® HELMET HOLDER PARTS AND ASSEMBLY INSTRUCTIONS

Model UHH-1



ITEM NO.	DESCRIPTION	PART NUMBER	QTY.
1	Helmet Holder Bracket	5005-300-101	1
2	Helmet Holder Strap Assembly	5005-300-103	1
3	Rubber Bumper	1090-000-150	2
4	#8-32 x 5/16" Rnd Hd Machine Screw	9010-241605	2

Mounting Instructions:

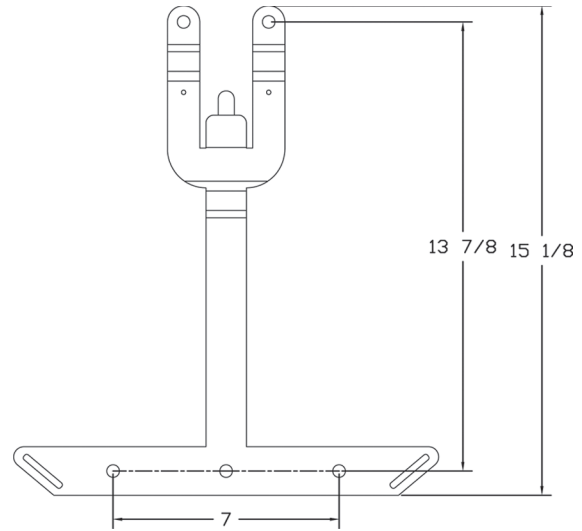
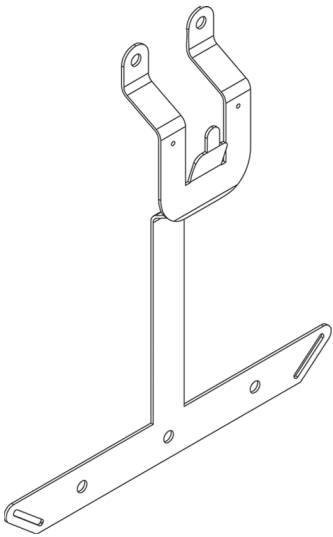
The UHH-1 may be mounted both vertically and horizontally. It must be mounted to a flat, securely sound surface, using a minimum of 1/4" steel hardware.

Instructions for Proper Use:

To secure a helmet with the UHH-1, place the helmet hook on the metal tab and pull the strap up to secure the helmet in place. Be sure to place the strap all the way over the crown of the helmet. Simply pull the strap down and remove the helmet from the metal tab when the helmet is needed.



Model UHH-2



ITEM NO.	DESCRIPTION	PART NUMBER	QTY.
1	Helmet Holder Bracket	5005-305-101	1
2	Helmet Holder Strap Assembly	5005-300-103	1
3	Rubber Bumper	1090-000-150	2
4	#8-32 x 5/16" Rnd Hd Machine Screw	9010-241605	2

Mounting Instructions:

The UHH-2 may be mounted both vertically and horizontally. It must be mounted to a flat, securely sound surface, using a minimum of 1/4" steel hardware.

Instructions for Proper Use:

To secure a helmet with the UHH-2, place the helmet hook on the metal tab and pull the strap up to secure the helmet in place. Be sure to place the strap all the way over the crown of the helmet. Simply pull the strap down and remove the helmet from the metal tab when the helmet is needed.



Ziamatic Corp.

10 West College Avenue, P.O. Box 337, Yardley, PA 19067-0587 • (215) 493-3618 • FAX: (215) 493-1401

*ZICO is a registered trademark for fire, safety and marine products made by Ziamatic Corp.

www.ziamatic.com

TOLL FREE: 800-711-3473

Copyright Ziamatic Corp. 4-14-09