

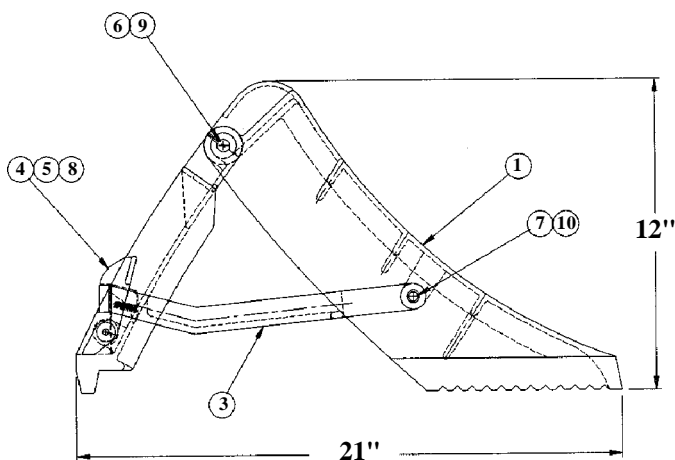
**QUIC-CHOC® WHEEL BLOCK AND HOLDER
MODELS SAC-44 AND SQCH-44-H**



**NEW NFPA Compliant Choc
Requires Less Storage Space**

The NEW Space-Saver Aluminum Wheel Choc, Model SAC-44, requires only 6-1/2" H x 12" W x 21" D area for storage. Choc may again be stored under fire or rescue vehicles.

The space-saver choc has been designed to comply with SAEJ348 and the current NFPA 1901 to 1904 Standards and may be used with tires up to 44 inches in diameter.



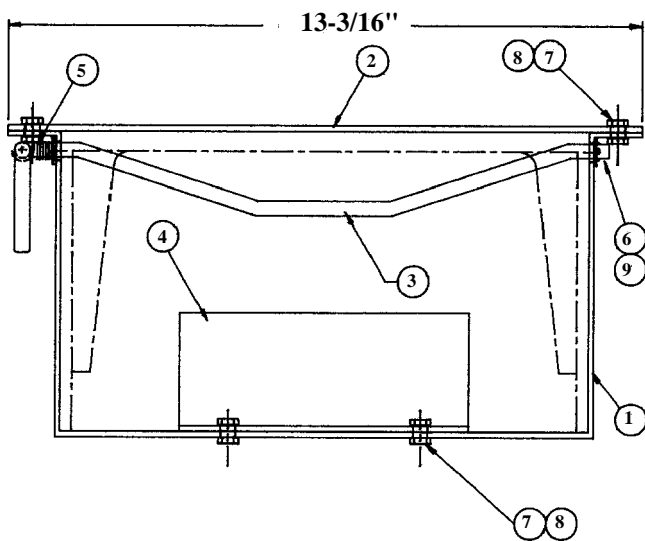
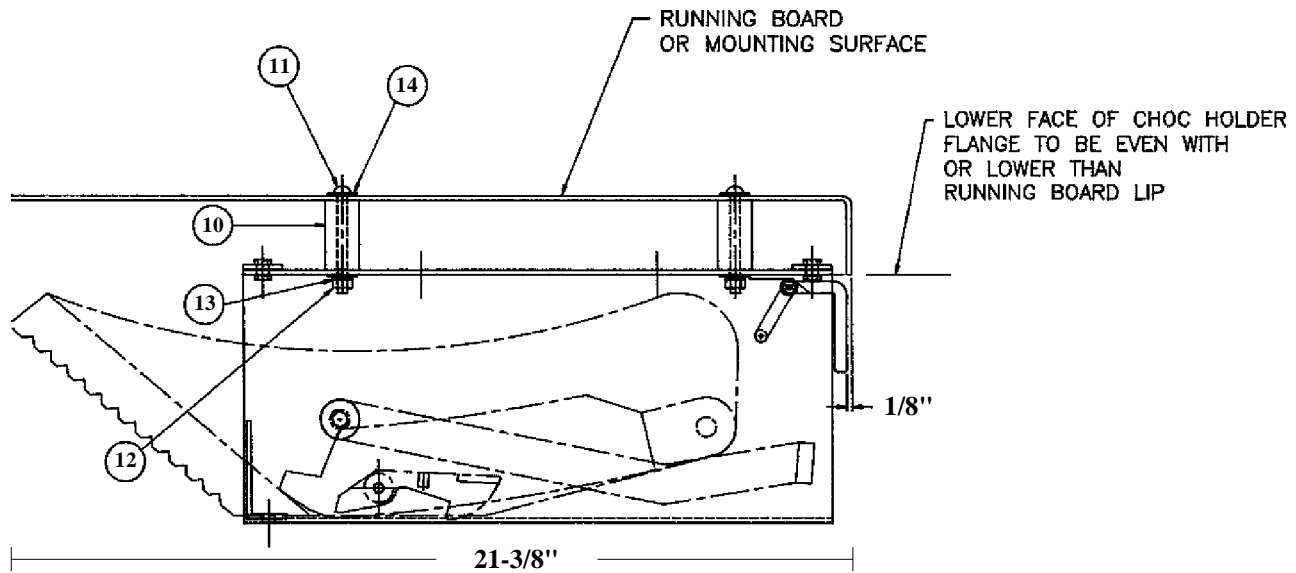
ITEM NO.	PART NO.	DESCRIPTION	QTY.
1	3025-144-101	Main casting	1
2	3025-144-102	Swing arm casting	1
3	3025-144-103	Cross bar casting	1
4	3025-144-104	Latch casting	1
5	3025-144-105	Spring, compression	1
6	3025-144-106	Shaft, 1/2" dia. x 9" L	1
7	3025-144-107	Shaft, 3/8" x 7-1/2" L	1
8	9140-102536	Spring pin, 1/4" x 2-1/4" L	1
9	9140-111220	Roll pin, 1/8" x 1-1/4" L	1
10	9140-111212	Roll pin, 1/8" x 3/4" L	2

To Place the Space-Saver Choc:

1. Push latch rod on holder to the rear with the left hand while grasping the handle grip in the cross bar casting (3) with the right hand.
2. Pull the casting from the holder and lower the front edge of the main casting (1) to the ground while the left hand holds the swing arm casting (2) against the main casting (1).
3. With the left hand pull out on the bottom of the swing arm casting (2) while allowing the cross bar casting (3) to drop slowly.
4. Push down on the cross bar casting (3) until it locks firmly under the latch casting (4).
5. Lift choc, with two hands, using the holes in the main (1) and swing arm (2) castings and place under vehicle.
6. Remove hand from main casting (1) and slide the choc against the wheel.

NOTE: We suggest that all pivot points be cleaned and sprayed with WD-40, or similar light, moisture-repellant silicon type lubricant, periodically.

See reverse for choc removal and storage.



Model SQCH-44-H may be mounted under the vehicle running board as shown above.

Storing the Space-Saver Choc:

1. Grasp the choc through the hole in the swing arm casting (2) and slide out from under the vehicle.
2. Grasp the end of the cross bar casting (3) and lift up while depressing the latch casting (4).
3. Continue lifting up on the cross arm casting (3) until the choc closes.
4. Hold the swing arm casting (2) against the main casting (1) with the left hand while holding the handle in the cross bar casting (3) with the right hand.
5. Lift the choc and slide into holder making sure the locking rod (3 above) falls into position to retain the choc.

ITEM NO.	PART NO.	DESCRIPTION	QTY.
1	3025-205-101	Choc holder, aluminum	1
2	3025-205-102	Strap, aluminum	2
3	3025-205-103	Rod, 5/16" S/S	1
4	3025-205-104	Stop angle, aluminum	1
5	3025-205-105	Spring, torsion	1
6	9170-100608	Cotter pin, 1/16" x 1/2"	2
7	9010-102508	Screw, 1/4-20 x 1/2" hex hd.	6
8	9013-172500	Nut, 1/4-20 hex hd., lock	6
9	3025-205-101	Washer, 5/16" ID, flat	2
10	3025-000-105	Tube, plastic, 4" L	4
11	9010-232572	Screw, 1/4-20 x 4-1/2", slotted	4
12	9012-102500	Nut, 1/4-20, hex. hd.	4
13	9014-202500	Washer, 1/4" ID, lock	4
14	9014-112500	Washer, 1/4" ID, flat	4



Ziamatic Corp.

10 West College Avenue, P.O. Box 337, Yardley, PA 19067-0587 • (215) 493-3618 • FAX: (215) 493-1401

*ZICO is a registered trademark for fire, safety and marine products made by Ziamatic Corp.

Copyright Ziamatic Corp. 10-94