

# QUIC-LADDER™ SWING OUT & DOWN VEHICLE LADDER

**ZICO\***

**3096PM1**

REV. 12-1-04



Patent Nos.  
D442,289  
6,378,654

**Stores ladder parallel to the body.**

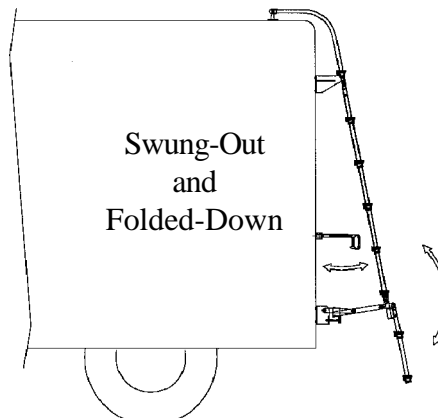
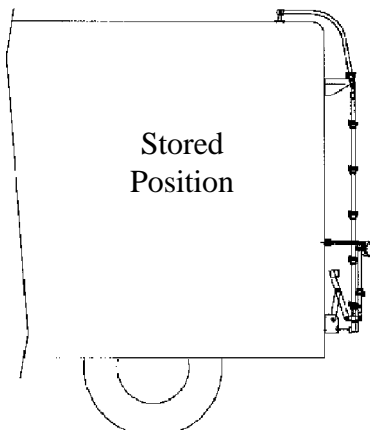
**Release the locking handle and pull the ladder out to a comfortable climbing angle.**

**The ladder automatically latches and will not retract until the scissor lock is raised.**

"Standard configuration has a two-rung fold-down section and a six-rung main ladder section. Other models available to fit your application. Provide us with a rear end dimensional print of your vehicle and we will design a ladder for your application.

Cast aluminum rungs have a flat, non-skid surface to provide traction and safety. Each step is 3" deep x 15-1/2" wide.

MODEL	DESCRIPTION	WT./@ IN LBS.
RL-2-6	Swing-Out & Down Vehicle Ladder	70.0

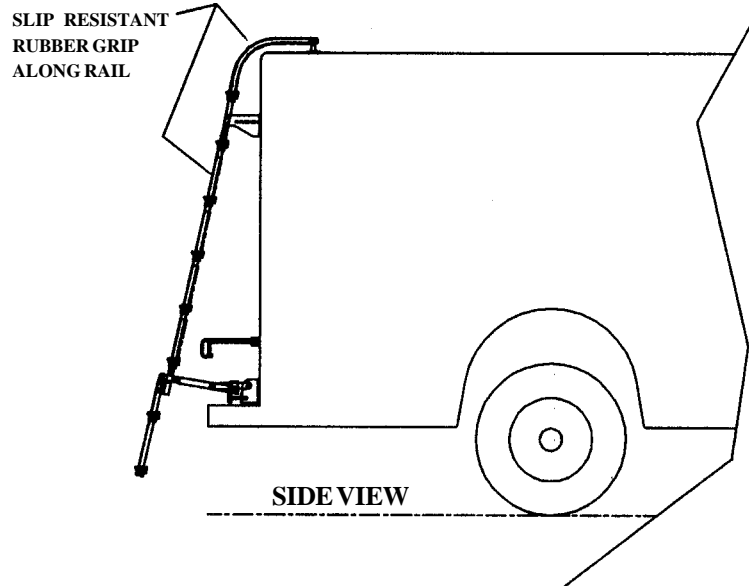
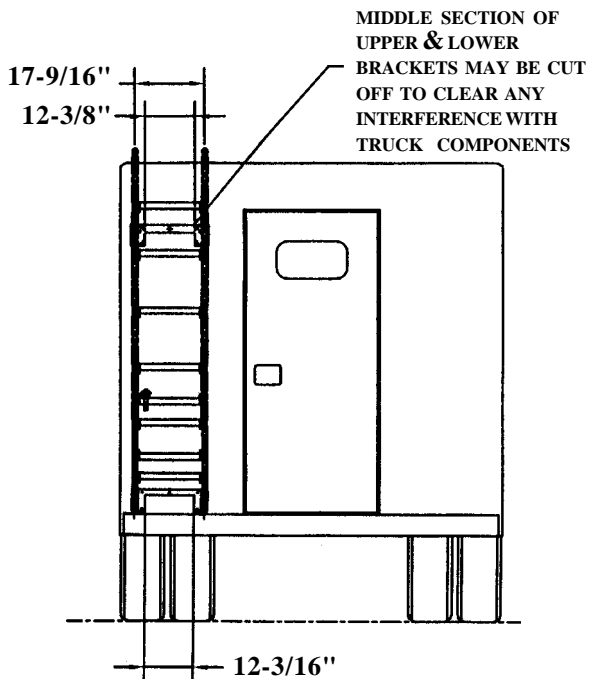
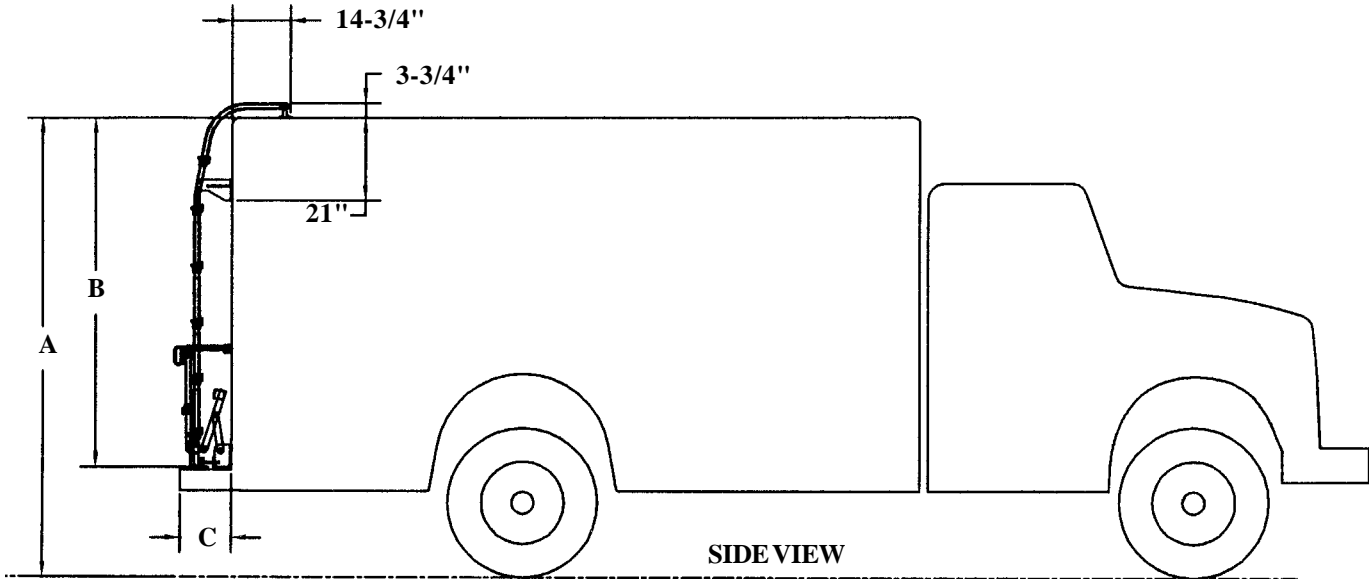


Handrails are 1-1/4" heavy-walled aluminum tubing, covered between rungs by ribbed black neoprene tubing, which provides a firm gripping surface.

**Initial Consultation**

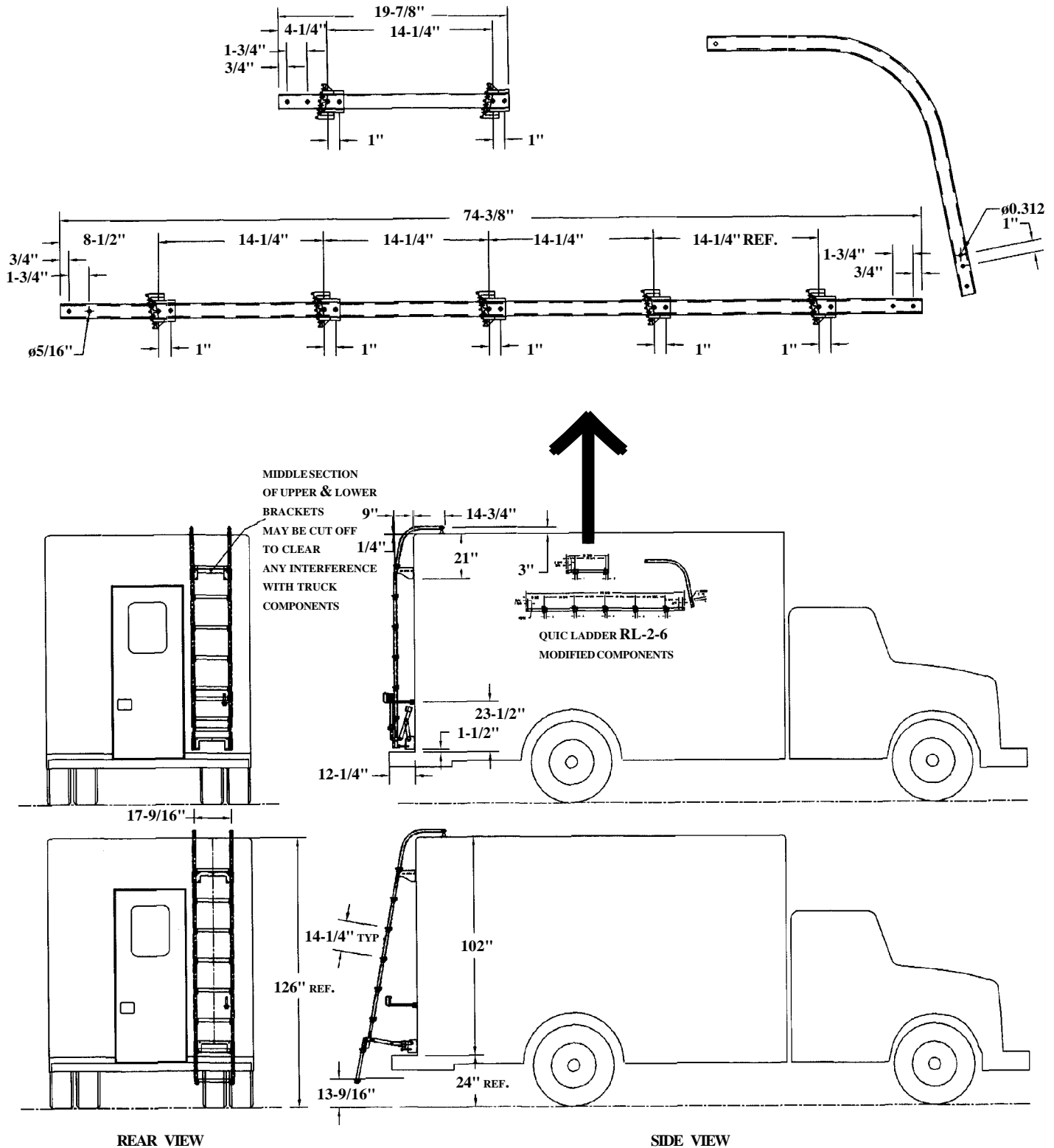
Ziamatic will fax customer the drawings below and request the following dimensions:

SYM	DESCRIPTION	DIM. (INCHES)
A	GROUND TO TOP OF TRUCK	_____
B	TOP OF TRUCK TO BOTTOM OF LOWER BRACKET (AVAILABLE MOUNTING SPACE ABOVE BUMPER)	_____
C	BACK OF TRUCK TO REAR OF BUMPER	_____

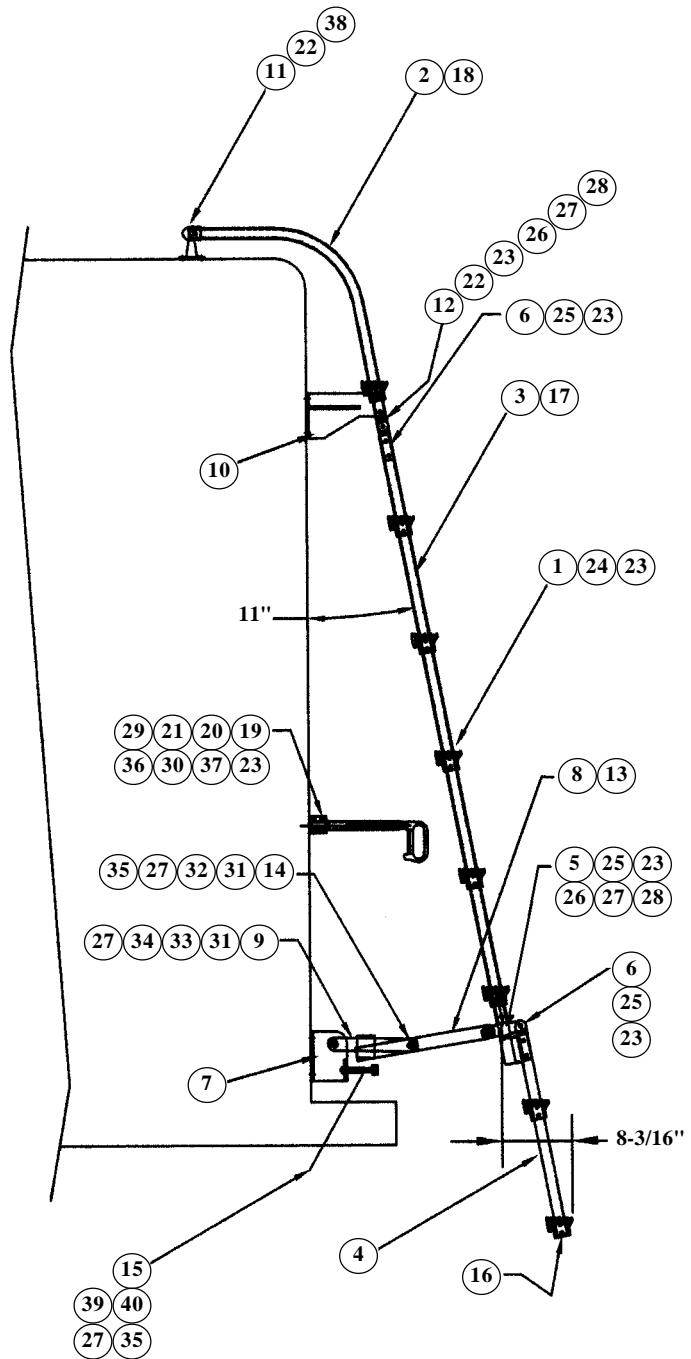


## Drawings From Ziamatic

Upon receipt of the customer's dimensions, Ziamatic will provide drawings of the proposed ladder configuration. Customer then places an order and the ladder is custom built to the specifications as shown below.

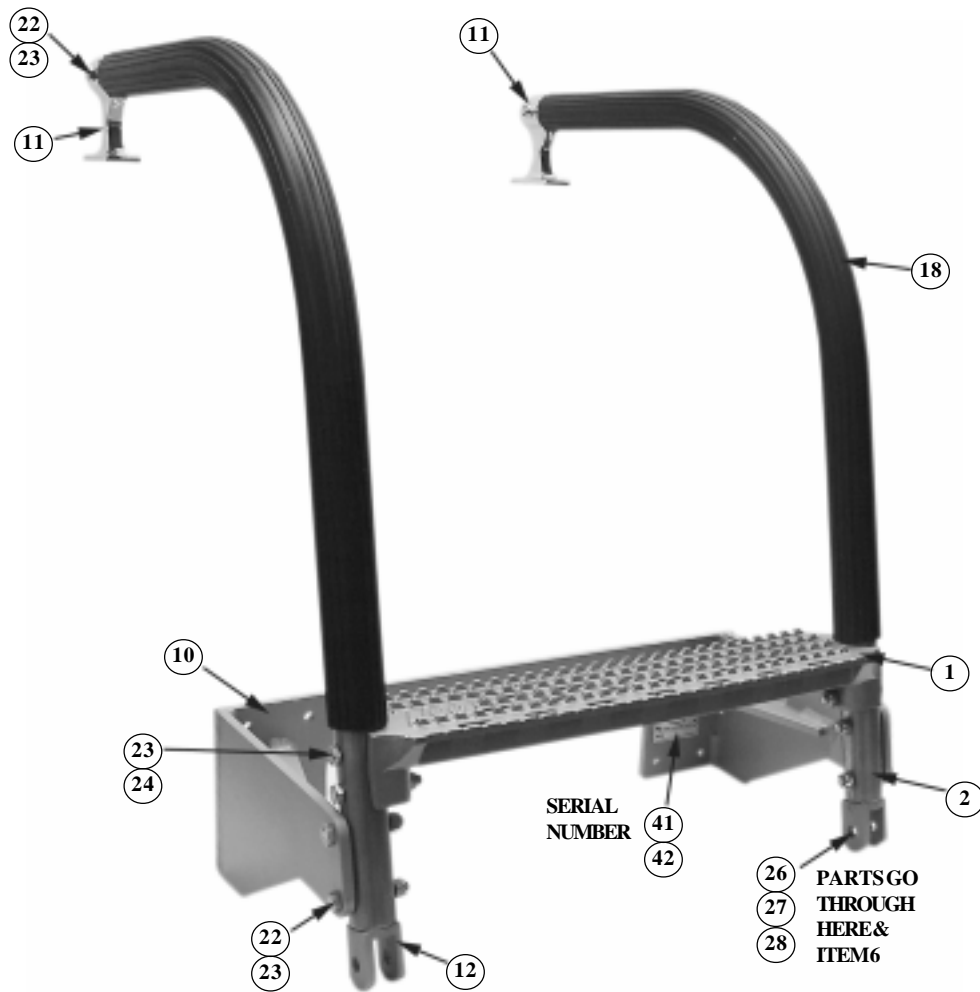


ITEM NO.	PART NO.	DESCRIPTION	QTY.
1	3096-005-101	Ladder Rung	8
2	3096-005-103	Fixed Rail	2
3	3096-005-105	Main Rail	2
4	3096-005-107	Folding Rail	2
5	3096-005-109	Lower Joint A	2
6	3096-005-111	Clevis Joint, Male	4
7	3096-005-113	Lower Hinge Bracket	1
8	3096-005-115	Scissor Lock Link, LH	1
9	3096-005-117	Scissor Slave Link	2
10	3096-005-119	Upper Bracket	1
11	3096-005-121	End Post	2
12	3096-005-123	Clevis Joint, Female	2
13	3096-005-116	Scissor Lock Link, RH	1
14	3096-005-133	Scissor Connector Rod	1
15	3096-005-125	Bumper with Standoff	2
16	3096-005-127	Tube Plug	2
17	3096-005-129	Rubber Grip 1-1/4 ID x 14" Lg.	10
18	3096-005-131	Rubber Grip 1-1/4 ID x 18" Lg. (Need 36" Lg.)	2
19	3097-105-126	Support, Retainer Handle	1
20	3097-105-109	Handle	1
21	3097-145-125	Housing, Long	1
22	9110-103132	Screw, Hex, Hd., 5/16-18 x 2" Lg. SS	6
23	9113-103100	Nut, Hex., Nylock, 5/16-18 SS	50
24	9110-103136	Screw, Hex, HD., 5/16-18 x 2-1/4" Lg. SS	32
25	9110-103128	Screw, Hex, Hd., 5/16-18 x 1-3/4" Lg. SS	12
26	9180-003727	Pin, Clevis, 3/8 x 1-11/16" (1 15/32 Grip)	6
27	9114-113700	Flatwasher, 3/8ø NOM.SS	14
28	9070-001212	Cotter Pin, 1/8ø x 3/4 Lg. SS	6
29	3097-105-118	Setscrew, Hollowlock, 7/8-14 x 7/16 Sckt, SZP	1
30	3097-105-113	Spring, Compression	1
31	3096-005-135	Sleeve, .385 ID x 5/8 OD x 7/16 Lg.	4
32	9110-103728	Scissor Pivot Screw, 3/8-16 x 1-3/4 Hex Hd., S	2
33	9110-103724	Screw, 3/8-16 x 1-1/2 Hex Hd., SS	2
34	9113-173700	Nut, 3/8-16 Hex, Nylock, SS	2
35	9114-203700	Lockwasher, 3/8ø NOM. SS	4
36	9010-3350104	Screw, Socket Head Cap, 1/2-13 x 6-1/2	1
37	9110-333132	Screw, Socket Head Cap 5/16-18 x 2, SS	2
38	9113-173101	Locknut, 5/16-18, Low Profile	2
39	9110-103716	Screw, Hex Hd. 3/8-16 x 1", SS	2
40	9112-203700	Nut, Hex, 3/8-16 JAM, SS	2
41	0000-000-112	Label, Metal, S/N	2
42	9120-101103	Drivescrew #4 x 3/16 Type U	4
43	3097-105-160	Wear Strip	1

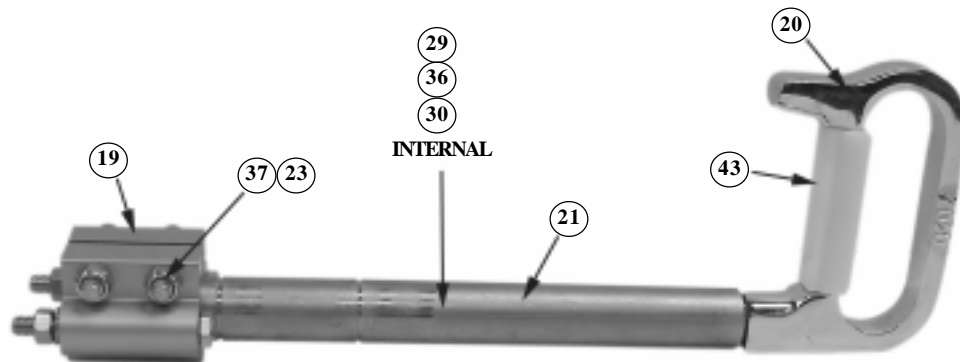


## PARTS LISTING AND ITEM NUMBER REFERENCES

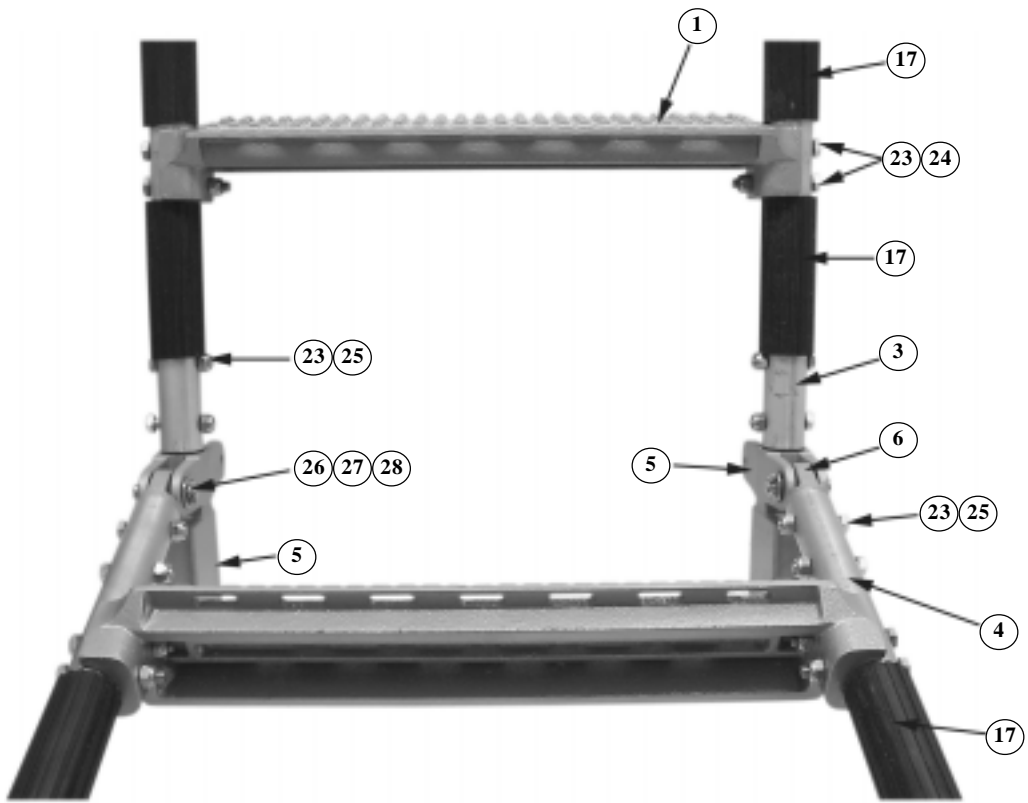
Photos on following pages will reference  
above item numbers.



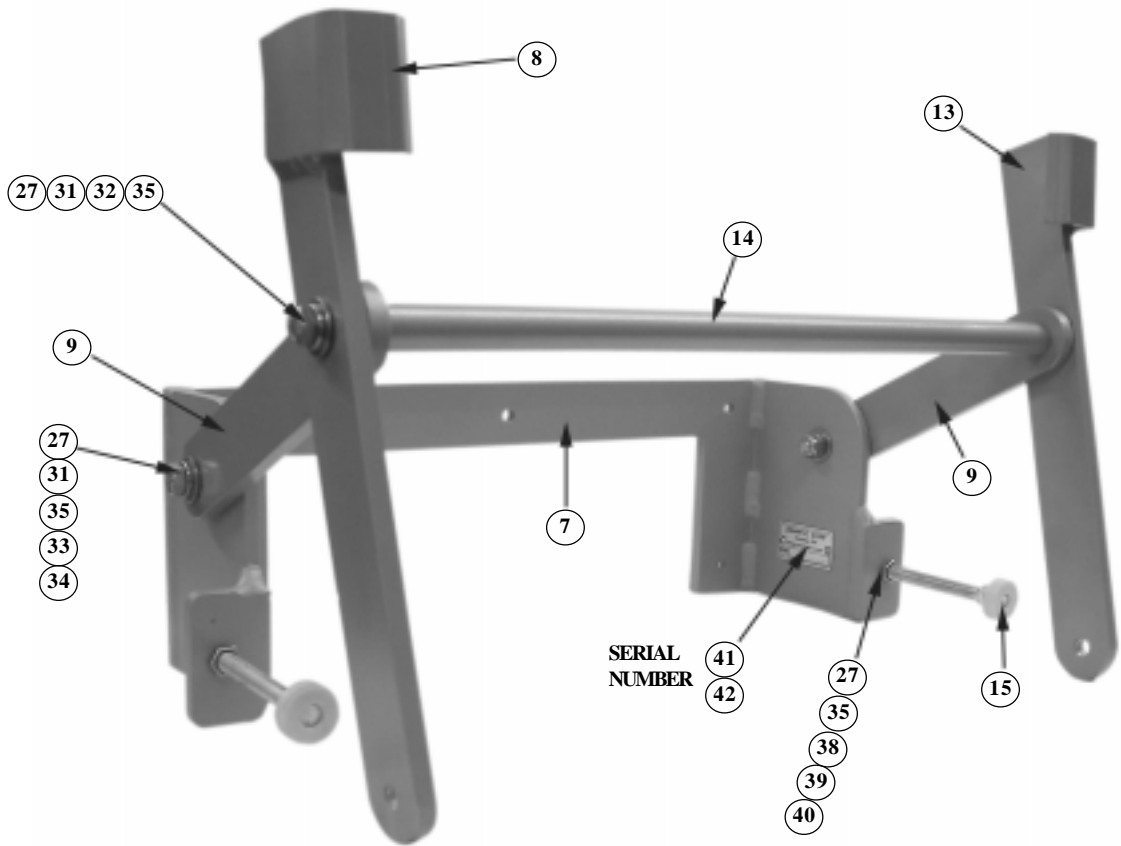
**PHOTO 1: UPPER BRACKET AND FIXED RAILS**



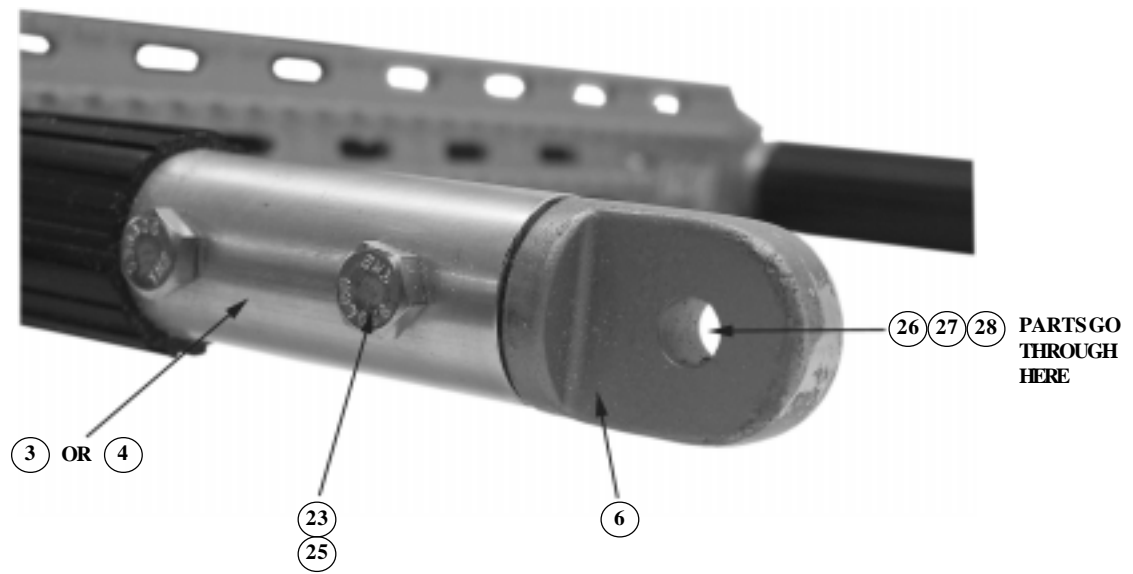
**PHOTO 2: HANDLE ASSEMBLY**



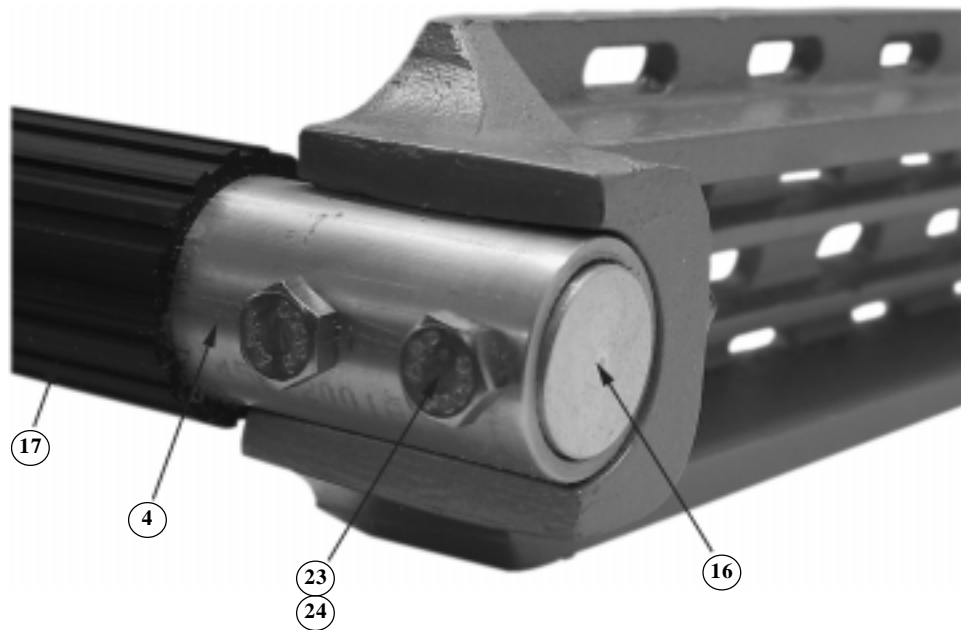
**PHOTO 3: FOLDING RAIL (FOREGROUND) ATTACHED TO MAIN RAIL**



**PHOTO 4: LOWER HINGE BRACKET ASSEMBLY**



**PHOTO 5: CLEVIS JOINT, MALE IN END OF FOLDING RAIL**



**PHOTO 6: TUBE PLUG IN END OF FOLDING RAIL**

**Serial Number** \_\_\_\_\_

Please record the serial number for your system here. The serial number may be found on the Upper Bracket (Photo 1, page 5) or on the Lower Hinge Bracket Assembly (Photo 4, page 6).

We will require the serial number when you call with any questions pertaining to your ladder system or whenever you are ordering parts.

You may also want to keep a set of the drawings, for your system, with this booklet as shown on page 3.

**Recommended Installation Instructions:**

1. It is suggested in cases where Quic Ladder is to be installed on thin sheet metal that an additional metal plate should be mounted on opposite side of sheet metal at bracket mounting points to ensure structural integrity of ladder-to-truck attachment.
2. Attach Upper Bracket (10, Photo 1, page 5) and Fixed Rails (2, Photo 1, page 5) Assembly and Lower Hinge Bracket (7, Photo 4, page 6) Assembly to Main Ladder (3, Photo 3, page 6) Assembly using the provided hardware.
3. Hang assembled Quic Ladder (in stored position) in desired location on truck.
4. Drill holes to attach End Posts (11, Photo 1, page 5) to Upper Bracket (10) and Fixed Rails (2).
5. Assemble to top of truck. In cases where Fixed Rails (2) are not included in order, attach only the Upper Bracket (10) to the truck in this step.
6. Drill holes for Upper Bracket (if not already completed) and Lower Hinge Bracket after locating the proper placement for the brackets. The Lower Hinge Bracket should be mounted onto truck so that when the Folding Rail (4, Photo 3, page 6) is in the stored position, the center linkage hole between the Scissor Slave Link (9, Photo 4, page 6) and the Scissor Lock Link (13, Photo 4, page 6) should be about halfway between the Main Ladder and the truck wall. Attach Upper Bracket and Lower Hinge Bracket to the truck.
7. Find proper placement on the truck for the Handle Assembly (Photo 2, page 5) to ensure support for the Ladder Rung of the Folding Rail in the stored position. Drill holes and attach Handle Assembly to truck.



*Ziamatic Corp.*

10 West College Avenue, P.O. Box 337, Yardley, PA 19067-8337 • (215) 493-3618 • FAX: (215) 493-1401

\*ZICO is a registered trademark for fire, safety and marine products made by Ziamatic Corp.

WWW.ZIAMATIC.COM  
CALL TOLL FREE: 800-711-FIRE

Copyright Ziamatic Corp. 12-04