

# QUIC SWING® HOLDERS

## PARTS AND INFORMATION BULLETIN

The ZICO QUIC SWING Holder may be used in either high or low apparatus compartments.

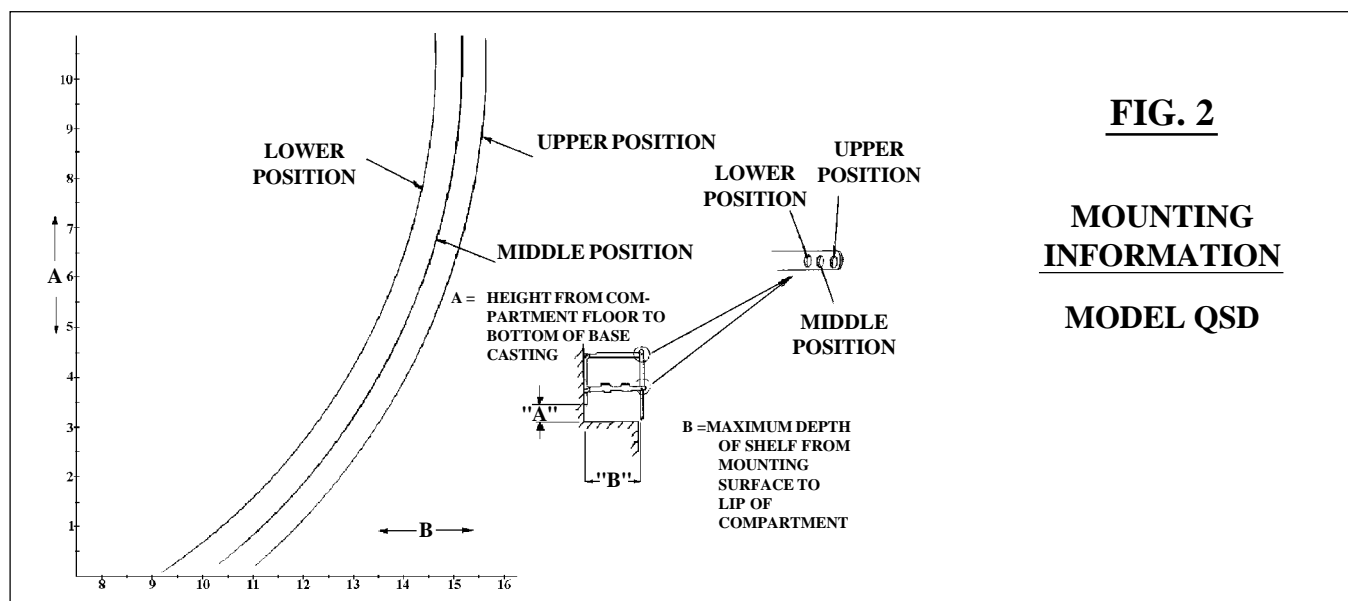
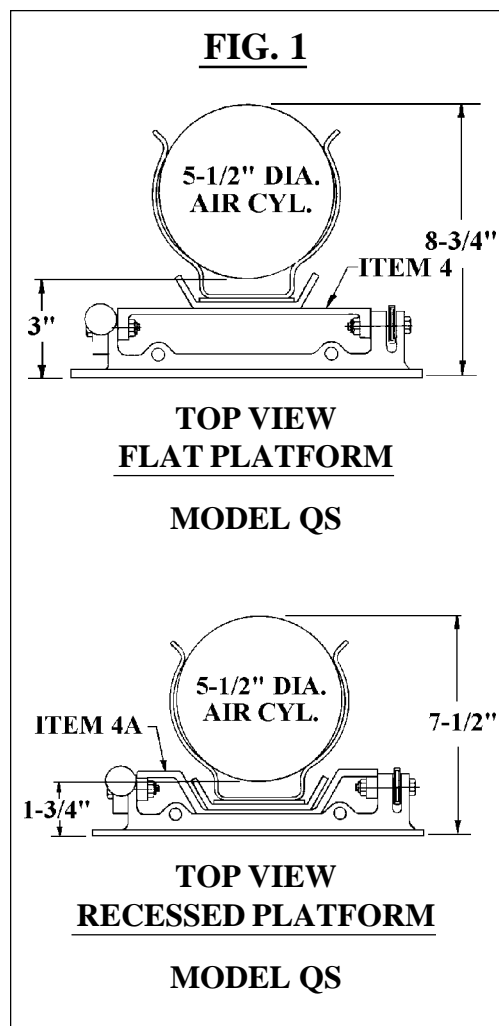
QUIC SWING Up (Models QSU or MQSU) allows SCBA mounted in low compartments to swing out and up to donning position. These units have springs attached to assist in lifting the weight of the SCBA.

QUIC SWING Down (Models QSD or MQSD) allows SCBA mounted in high compartments to swing out and down to donning position.

Standard QUIC SWING units (QSU or QSD) have a flat platform to which the extrusion plate and WALKAWAY Bracket are attached. The distance from the mounting surface to the air cylinder is approximately 3- inches (see fig. 1). This unit is generally used in deep compartments (over 11") and may be combined with the Model QS-EP Extension Plate to add 2-inches from the mounting surface to the air cylinder.

Modified QUIC SWING units (MQSU or MQSD) have a recessed platform to which the extrusion plate and WALKAWAY Bracket are attached. The distance from the mounting surface to the air cylinder is approximately 1-3/4" (see fig. 1). This unit is generally used in shallower compartments (under 11").

To ascertain the correct QUIC SWING required measure the depth of your compartment from the back wall to the inner door surface. Lay your SCBA on a flat surface and measure the depth required for the cylinder and harness assembly. Subtract the SCBA depth from the compartment depth to ascertain which QUIC SWING will be required. Then refer to figures 2, 3, or 4 (depending upon the model required) to verify that the proper height and depth are available to mount your SCBA. Also refer to figures 5 or 6 (depending upon the model required) for overall dimensions of the assembled swing unit. Refer to figure 7 (modified QUIC SWING Holder Multiple Position Diagrams) to see what affect repositioning the Lock Lever will have on the swing out position relative to the mounting surface. NOTE: These drawings are based on the Modified QUIC SWING using lower position in the Upper and Lower Arm Castings (see figures 2, 3, or 4).

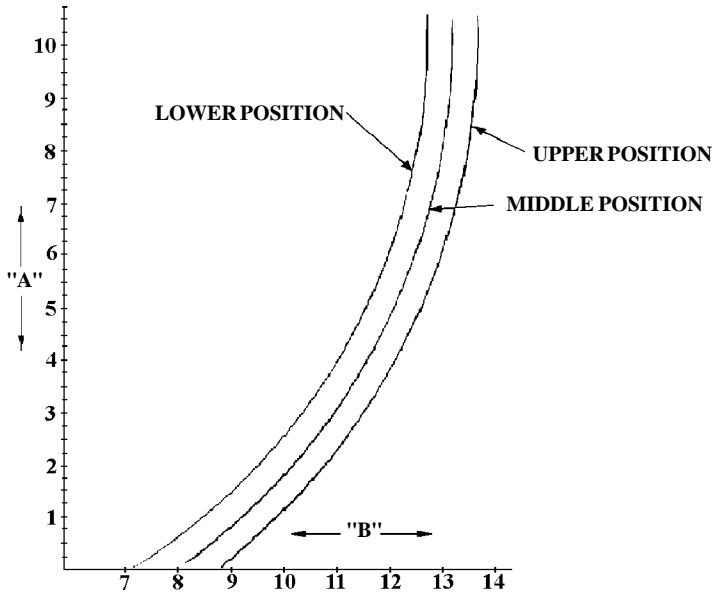


**FIG. 2**  
**MOUNTING INFORMATION**  
**MODEL QSD**

**FIG. 3**

**MOUNTING INFORMATION**

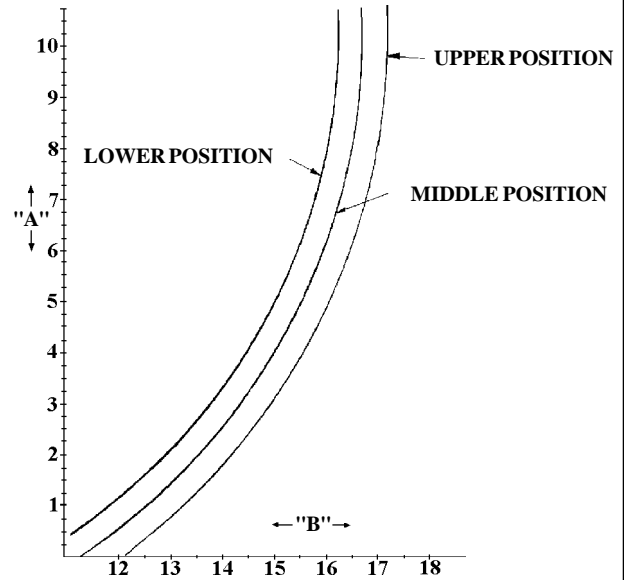
**MODEL MQSD**



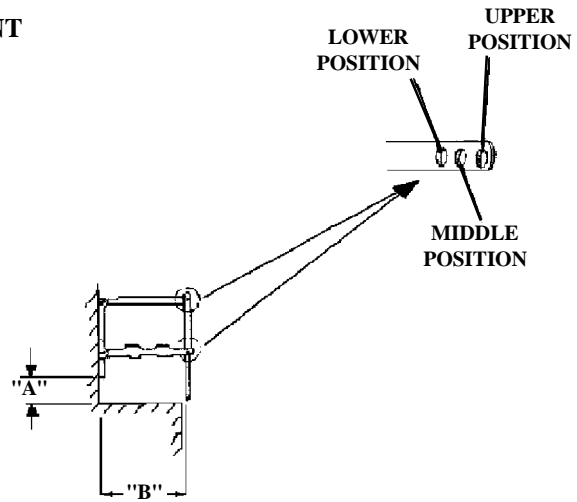
**FIG. 4**

**MOUNTING INFORMATION**

**MODEL QSD-EP**



- A = HEIGHT FROM COMPARTMENT FLOOR TO BOTTOM OF BASE CASTING**
- B = MAXIMUM DEPTH OF SHELF FROM MOUNTING SURFACE TO LIP OF COMPARTMENT**

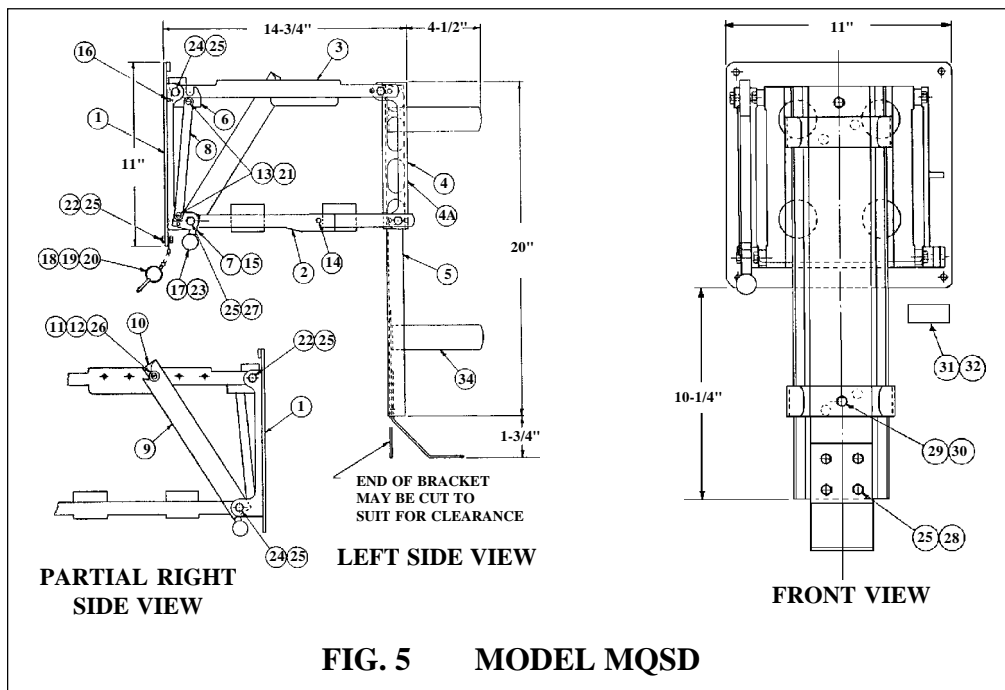


Extension Plate

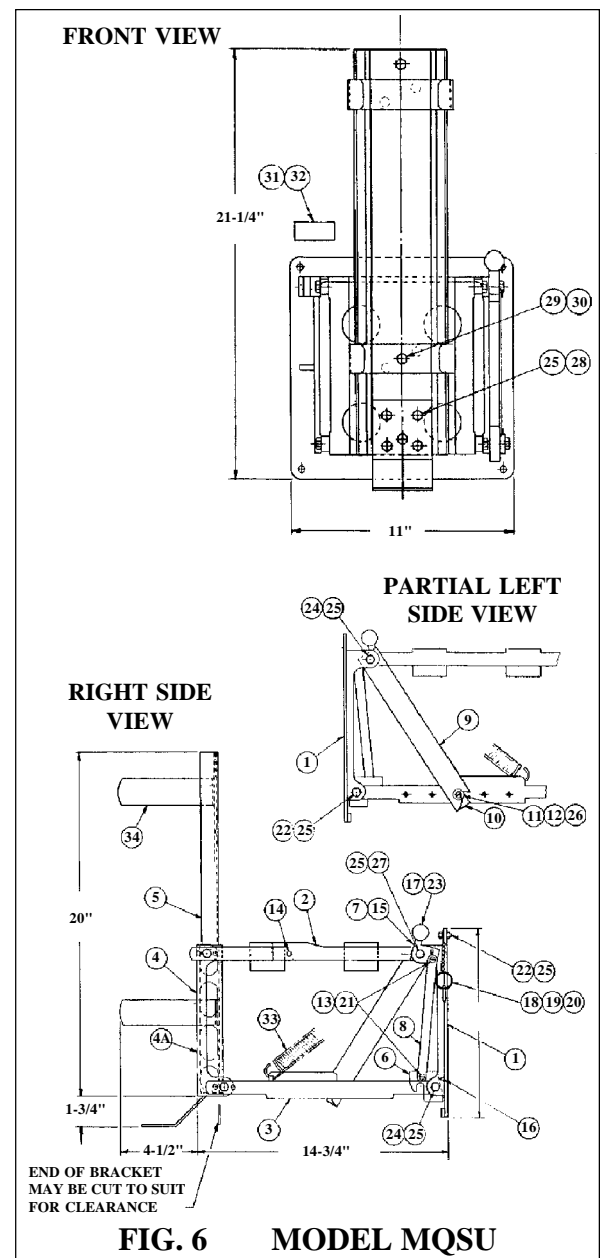


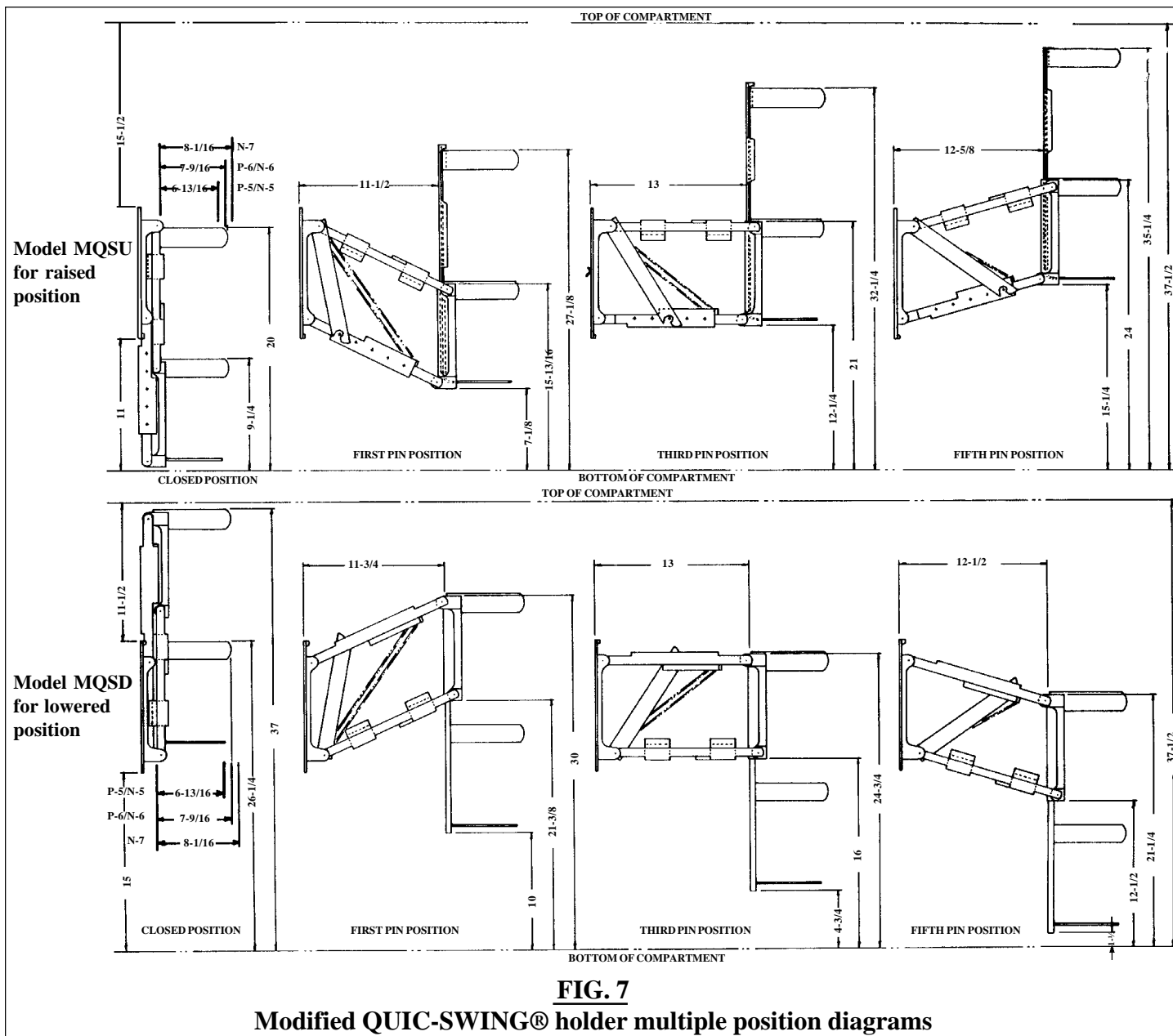
**Model QSD with QS-EP (Extension Plate)**

Extension plate is used when the compartment is too deep and the device will not clear the compartment lip. Adds two inches to the depth dimensions shown. See Figure 4.

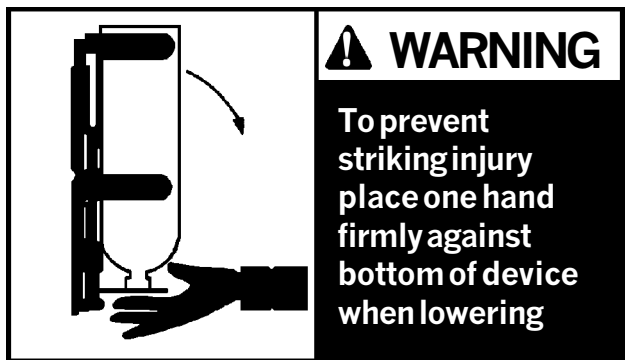


ITEM NO.	P/N	DESCRIPTION	QTY.
1	1020-000-105	Base Casting	1
2	1020-000-110	Upper Arm Casting	1
3	1020-000-115	Lower Arm Casting	1
4	1020-000-120	Platform Casting-Flat for QS	1
4A	1020-000-130	Platform Casting-Recessed for MQS	
5	1020-000-125	Aluminum Plate-Extruded	1
6	1020-000-132	Latch Block-Lock	1
7	1020-000-135	Latch Block-Release	1
8	1020-000-140	Latch Rod	1
9	1020-000-145	Lock Lever	1
10	1020-000-150	Lock Lever Guide	1
11	1020-000-155	Lock Lever Collar-Part "A"	1
12	1020-000-160	Lock Lever Collar-Part "B"	1
13	1020-000-162	Bushing-1/4" O.D.	2
14	1020-000-165	Stud-From 1/4-20 Bolt	1
15	1020-000-167	Bushing-5/16" O.D.	1
16	1020-000-170	Spring-Compression	1
17	1020-000-172	Control Ball	1
18	9050-002524	Detent Pin 1/4" Dia. x 1-1/4" Lg.	1
19	0000-000-177	Chain-6 Links	1
20	0000-000-180	"S" Hook	1
21	9010-211908	Bolt 10-24 x 1/2 Pan Head, Slotted	2
22	9010-102516	Bolt 1/4-20 x 1 Hex. Hd.	6
23	9010-302516	Set Screw 1/4-20 x 1	1
24	9010-102532	Bolt 1/4-20 x 2 Hex. Hd.	2
25	9013-172500	Nut-ESNA Locknut	12
26	9010-102520	Bolt-1/4-20 x 1-1/4	1
27	9010-102524	Bolt-1/4-20 x 1-1/2	1
28	9010-152512	Bolt-1/4-20 x 3/4 Fl. Hd., Slotted	4
29	9010-103116	Bolt-5/16-18 x 1	2
30	9013-103100	Nut-Flex Lock Nut-5/16-18	2
31	1020-000-190	Label-Warning (Swing Down)	1
32	1020-000-195	Label-Warning (Swing Up)	
33	1020-000-187	Extension Spring (Swing Up)	2
34		WALKAWAY Bracket/Angle Footplate	1

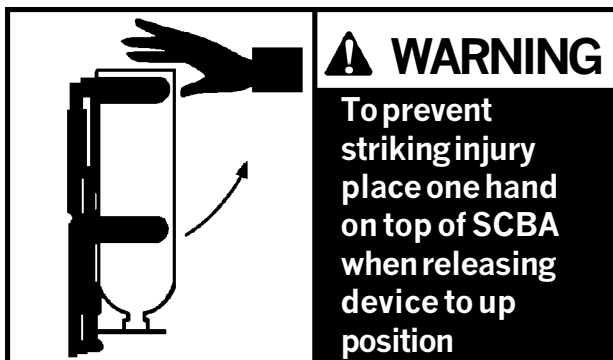




WARNING LABELS SHOULD BE MOUNTED NEXT TO SWING UNITS AS A VISIBLE REMINDER THAT THE SWINGS MAY MOVE OUT QUICKLY WHEN THE RELEASE KNOB IS PULLED.



WARNING LABEL PROVIDED WITH QSD AND MQSD UNITS



WARNING LABEL PROVIDED WITH QSU AND MQSU UNITS



Ziamatic Corp.

10 West College Avenue, P.O. Box 337, Yardley, PA 19067-0587 • (215) 493-3618 • FAX: (215) 493-1401

\*ZICO is a registered trademark for fire, safety and marine products made by Ziamatic Corp.

www.ziamatic.com  
 TOLLFREE: 800-711-3473

Copyright Ziamatic Corp. 5-99