

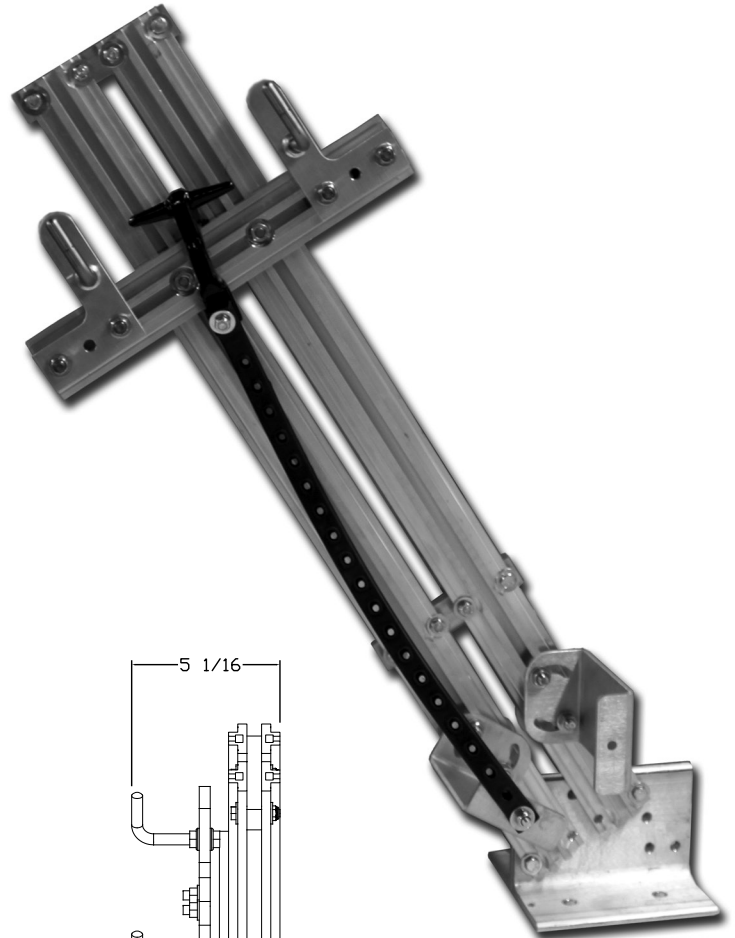
QUIC-MOUNT® SINGLE EXTRICATION TOOL HOLDER
MODEL QM-ETS-1
PARTS AND INSTRUCTION MANUAL

The QM-ETS-1 holds one (1) extrication tool securely upright in the compartment.

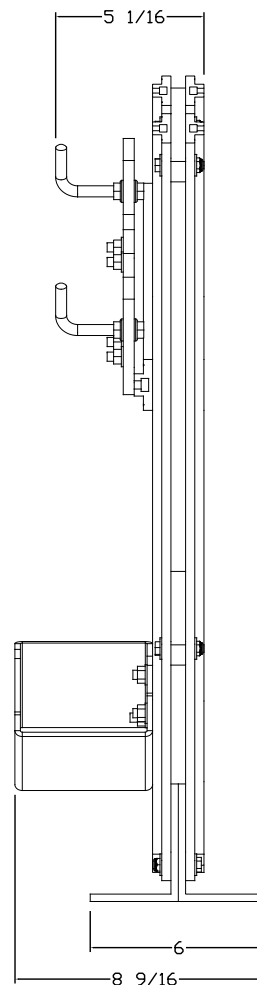
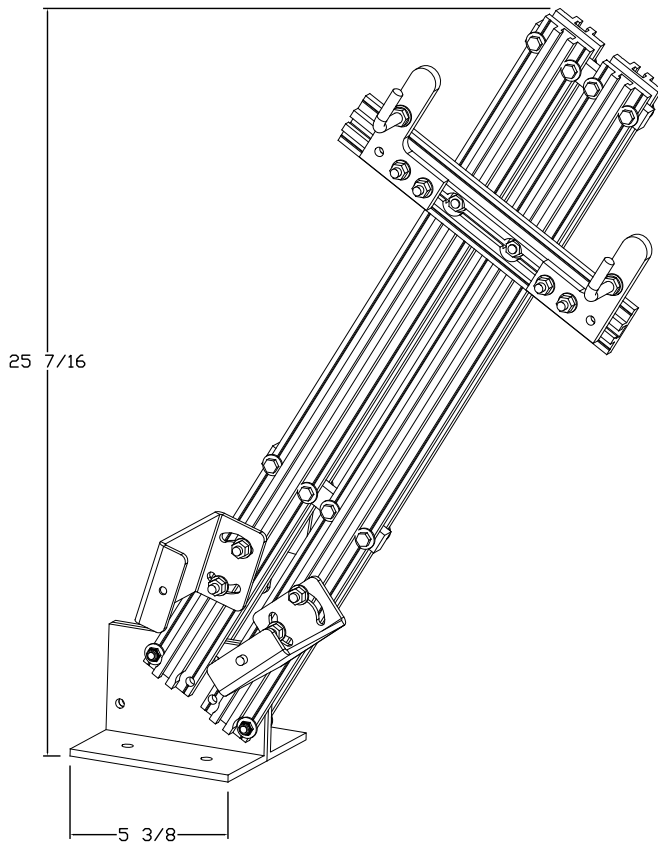
Fully adjustable, the various components slide to fit your individual tool for maximum security.

Made with heavy-duty, lightweight aluminum.

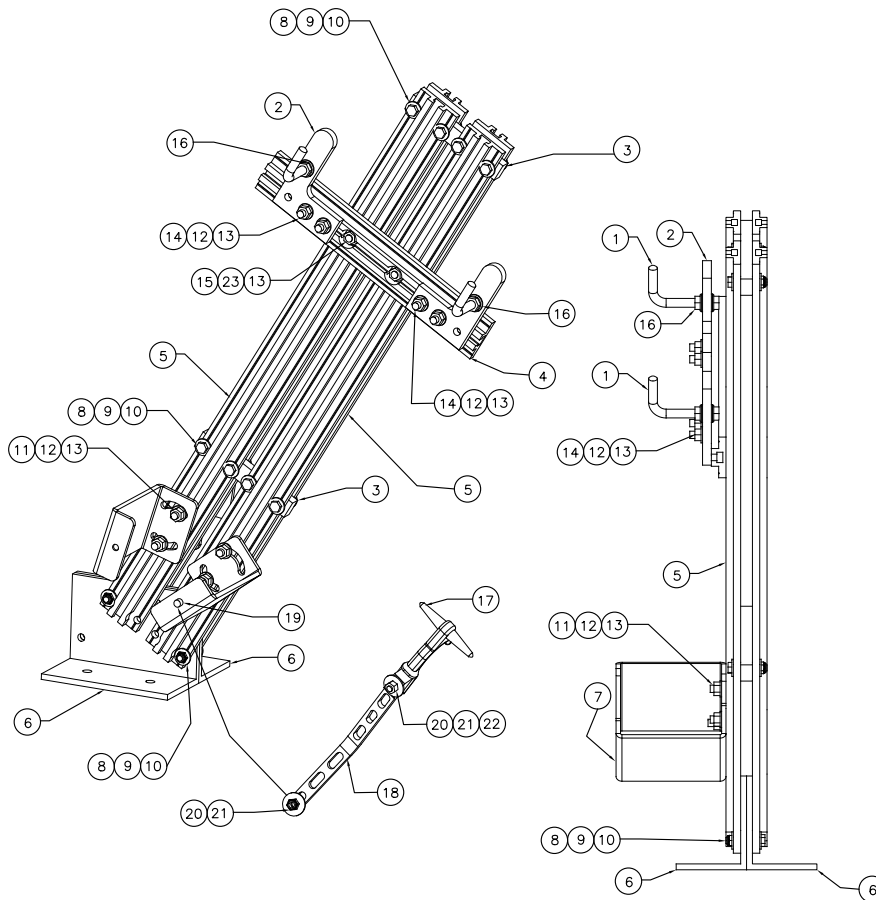
Mounts to virtually any flat surface.



MODEL	DESCRIPTION	WT./@ IN LBS.
QM-ETS-1	Single Extrication Tool Holder	13.4



Parts Diagram/Breakdown - QM-ETS-1



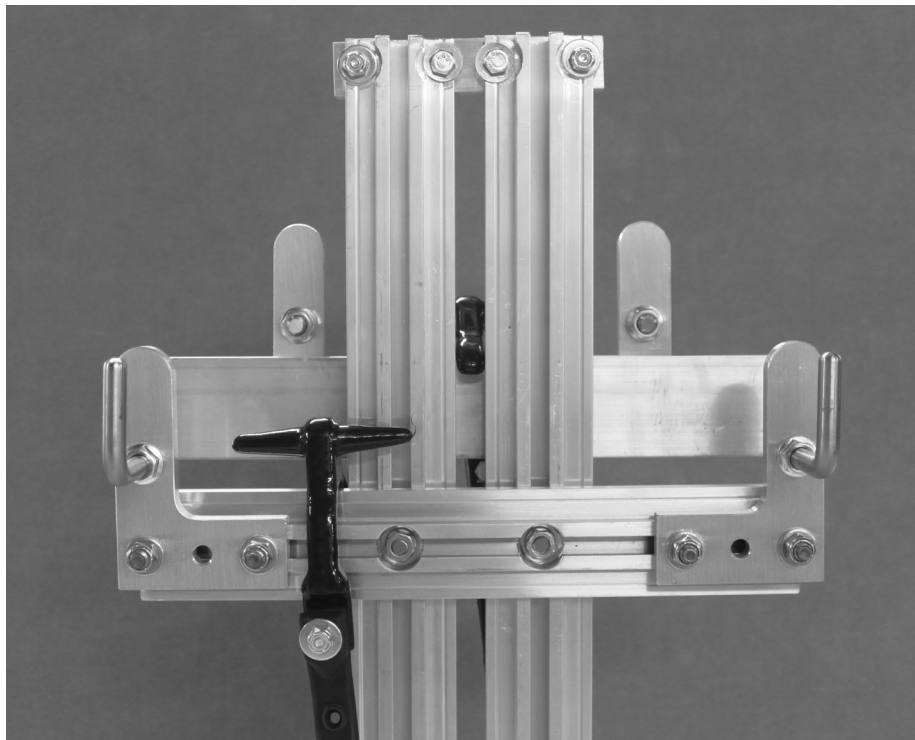
ITEM #	PART #	DESCRIPTION	QTY.
1	3095-246-101	QMT-ETD Hanging Post	2
2	3095-246-103	QM-ETD Hang Bracket	2
3	3095-246-105	QM-ETD Spacer Plate	2
4	3095-246-107	QM-ETD Channel Short	1
5	3095-246-109	QM-ETD Channel Long	4
6	3095-246-111	QM-ETD Base Angle	2
7	3095-239-103	Hanging Angle Univ.	2
8	9010-102524	1/4-20 x 1.5" Hex Bolt ZPS	10
9	9014-112500	1/4" Washer ZPS	20
10	9013-172501	1/4-20 Low-Profile Nylock Nut	10
11	9010-343116	5/16-18 x 1" Sq Bolt ZPS	4
12	9014-183100	5/16" Washer ZPS - Grade 8, Xtra thick	8
13	9013-173100	5/16-18 Nut Nyloc	10
14	9010-343120	5/16-18 x 1.25" Sq Bolt ZPS	4
15	9010-103112	5/16-18 x .75" Sq Bolt ZPS	2
16	9013-373700	3/8-16 Serrated Flanged Nut	4
17	3095-215-109	Strap Handle	1
18	3095-215-107	EPDM Rubber Strap	1
19	9010-162516	1/4-20 x 1" FH Screw	1
20	9013-172500	1/4-20 Nyloc Nut, ZPS	2
21	9014-162500	1/4" Wide Washer	2
22	9010-102520	1/4-20 x 1-1/4" Hex Head Bolt, ZPS	1
23	9014-133100	5/16" Washer ZPS, Grade 8	2

Adjustment Instructions:

Note: Part numbers in parenthesis (see Page 2)

Set-up: Adjustment is most easily accomplished with the QM-ETS-1 out of the compartment and in full upright position (as shipped).

1. Loosen 5/16-18 x 1" sq. bolts (11) on Hanging Angle Brackets (7). Adjust brackets until they rest flush against the blade-end of your tool. Re-tighten bolts.
2. Loosen 5/16-18 x .75" sq. bolts (15) on Short Channel (4). Adjust Short Channel up or down to accommodate height of your tool. Re-tighten bolts.
3. Loosen 5/16-18 x 1.25" sq. bolts on Hang Bracket (2). Slide in or out to accommodate size and shape of tool handle. For wider handles, reverse the Hang Brackets (see below). Re-tighten bolts.



Shown: QM-ETD-1

4. Adjust Rubber Strap (18) so that Strap Handle (17) grips tool handle tightly.

After bracket has been adjusted to fit desired tool, you may adjust tilt angle by removing 1/4"-20 x 1.5" hex bolts (8) and hardware on one side of the Base (6) and repositioning Long Channel (5). Re-tighten hardware via appropriate holes in Base after achieving desired tilt.

Mounting Instructions:

Mount at four points using 3/8" hardware (not included).



Ziamatic Corp.

10 West College Avenue, P.O. Box 337, Yardley, PA 19067-0587 • (215) 493-3618 • FAX: (215) 493-1401

www.ziamatic.com

TOLL FREE: 800-711-3473

*ZICO is a registered trademark for fire, safety and marine products made by Ziamatic Corp.

Copyright Ziamatic Corp. 12-14