

QUIC-STEP™ MANUAL PULL-OUT STEP
MODEL PS-8-5
PARTS MANUAL

| MODEL | DESCRIPTION | WT./@ IN LBS. |
|--------|---------------|---------------|
| PS-8-5 | Pull-Out Step | 9.75 |

- Step drops 8" when fully extended
- 11-5/8" x 16-1/4" when fully retracted
- Corrosion resistant materials with a cast aluminum stepping surface
- Meets NFPA requirements for slip resistance and 500 lb. static load

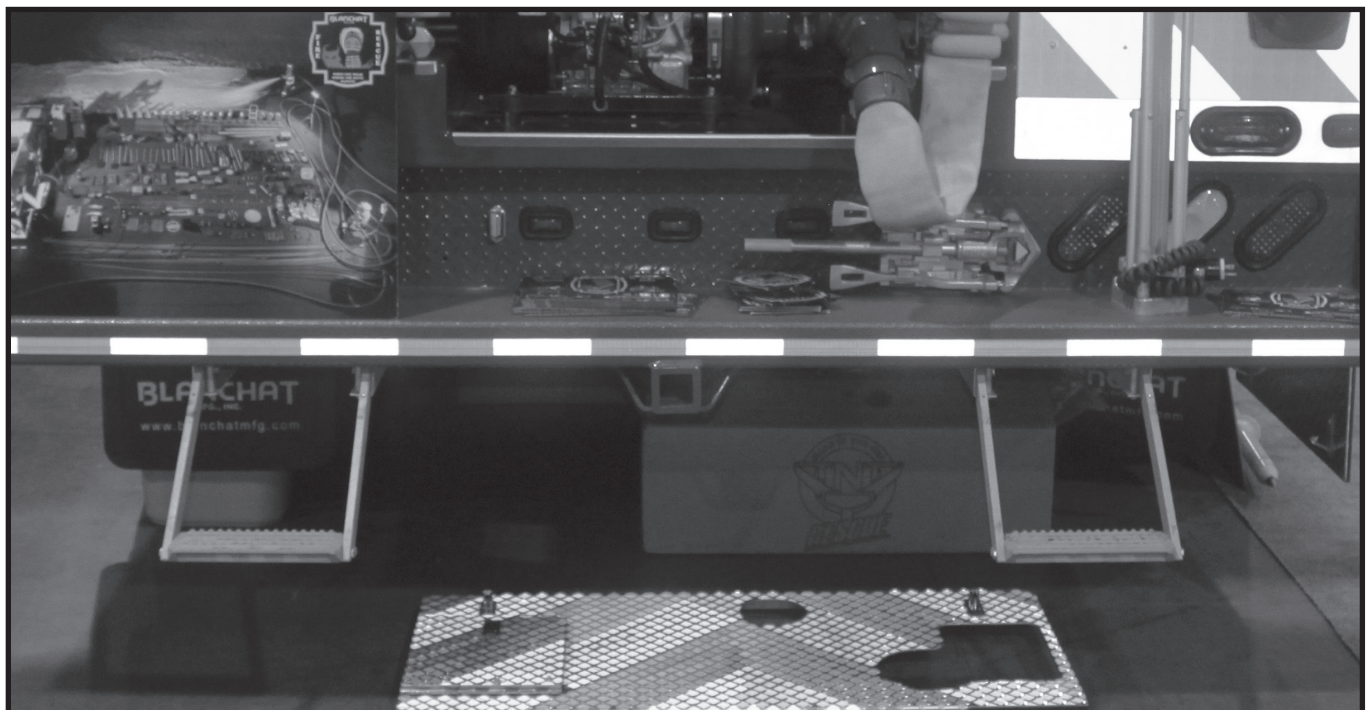
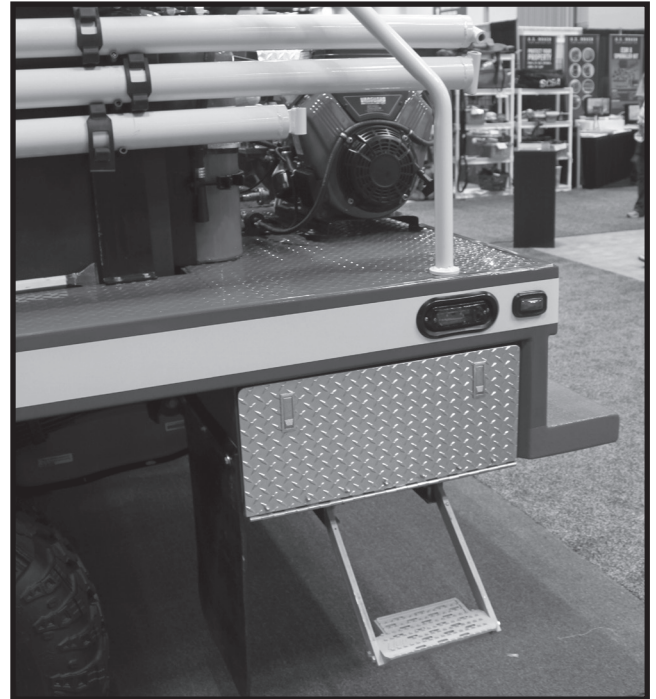
Operation

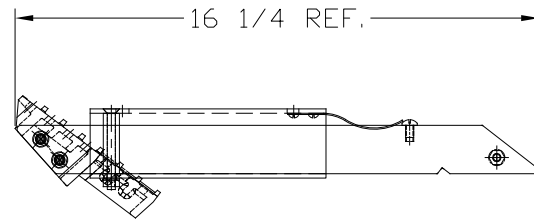
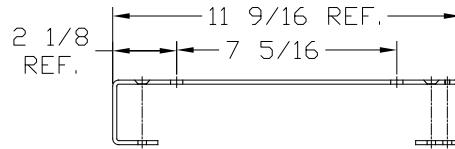
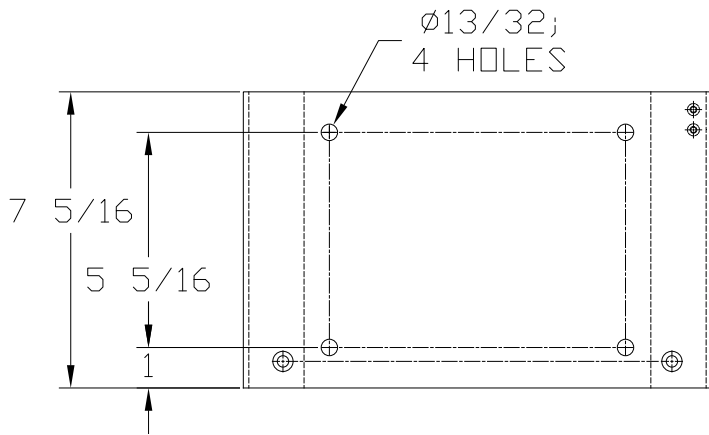
To use:

Pull step(2) out from base(1) and lower down.

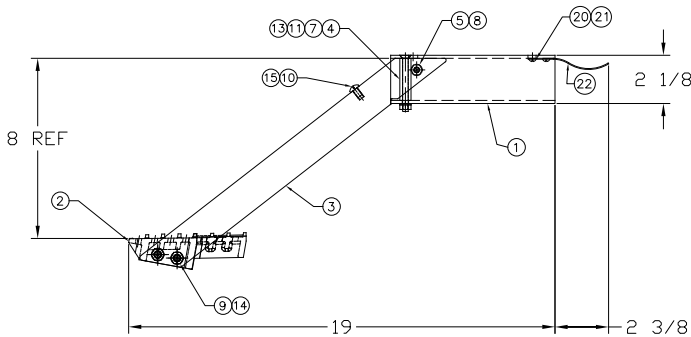
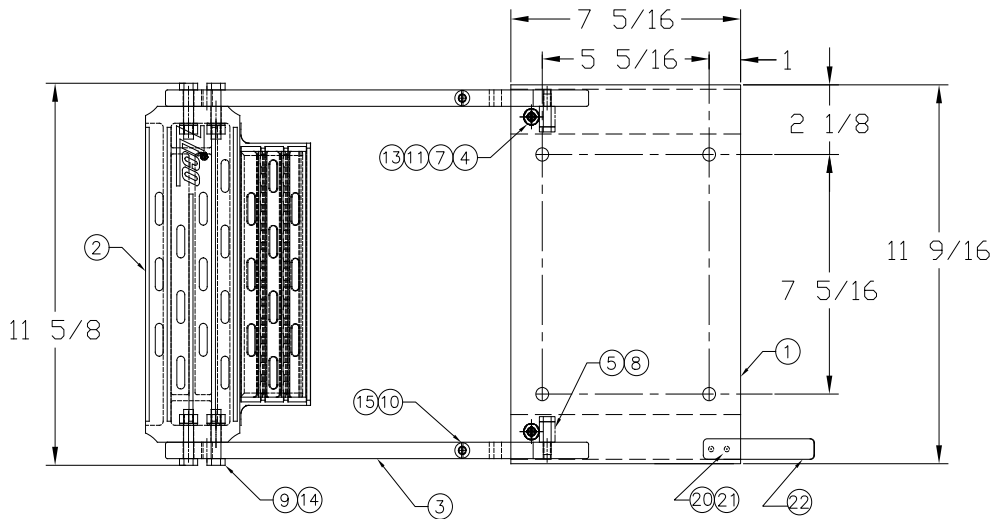
To store:

Raise step(2) and push into base(1) until retaining spring(22) engages.





- Mount using 4 places- minimum 3/8" hardware. Grade 5 or better (not included)



| ITEM # | PART # | DESCRIPTION | QTY. |
|--------|--------------|---|------|
| 1 | 3094-100-101 | Base | 1 |
| 2 | 3094-100-103 | Step | 1 |
| 3 | 3094-100-105 | Arm | 2 |
| 4 | 3094-100-107 | Post | 2 |
| 5 | 3094-100-109 | Stop | 2 |
| 7 | 9015-162540 | Screw, Flat Hd. Soc, 1/4-20 x 2-1/2", SZP GR5 | 2 |
| 8 | 9015-102516 | Screw, Hex Hd. 1/4-20 x 1", SZP, GR5 | 2 |
| 9 | 9015-113124 | Screw, Hex Hd. 5/16-18 x 1-1/2", SZP, GR5 | 4 |
| 10 | 9120-101906 | Drive Screw, Round Hd. #10 x 3/8", SS | 1 |
| 11 | 9114-112500 | Washer, ø1/4, Regular, SS | 2 |
| 13 | 9015-172500 | Nut, Nylon Lock, 1/4-20, SZP | 2 |
| 14 | 9015-173100 | Nut, Nylon Lock, 5/16-18, SZP | 4 |
| 15 | 0000-000-121 | Threadlocker, Blue, Medium Strength | N/A |
| 20 | 9010-221603 | Screw, Pan Hd. 8-32 x 3/16", SZP | 2 |
| 21 | 9014-201600 | Washer, #8 Split Lock, SZP | 2 |
| 22 | 3094-100-111 | Retaining Spring | 1 |

Maintenance: Semi-annually lubricate all joints and pivots with CRC Stor & Lube long-term lubricant and rust preventative #03032. Excess lubrication should be wiped off.



Ziamatic Corp.

10 West College Avenue, P.O. Box 337, Yardley, PA 19067-0587 • (215) 493-3618 • FAX: (215) 493-1401

*ZICO is a registered trademark for fire, safety and marine products made by Ziamatic Corp.

www.ziamatic.com
TOLL FREE: 800-711-3473

Copyright Ziamatic Corp. 8-22