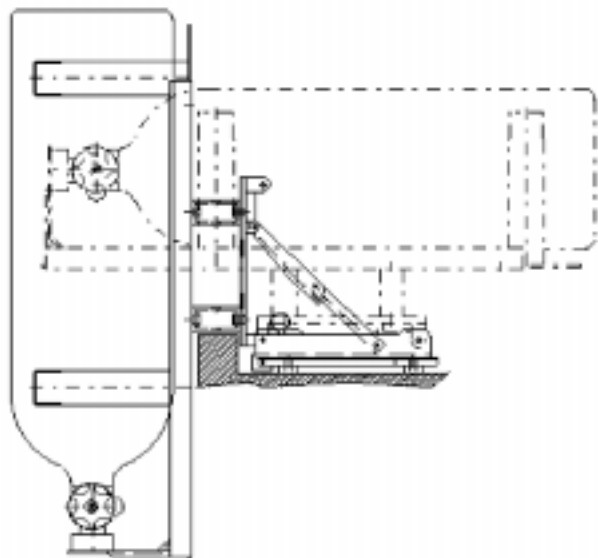


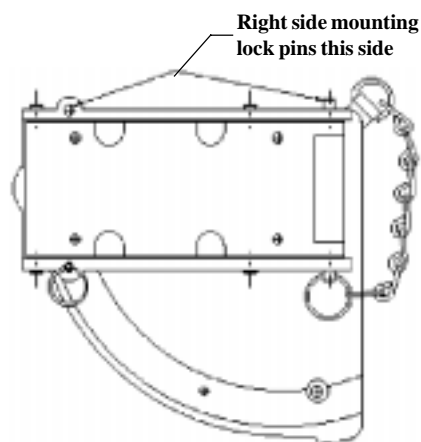
QUIC-FLIP® BREATHING APPARATUS HOLDER

Specifications

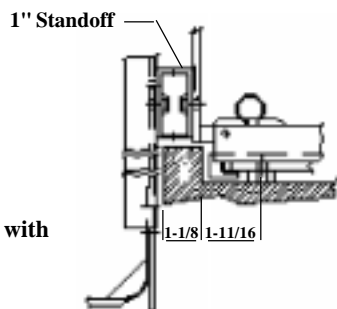
The QUIC-FLIP holder itself is 7-3/4" x 7-3/4" and has a maximum height of 4-1/4". When WALKAWAY bracket is mounted, the maximum length of the overall unit is determined by the mounting location of the footplate.



Top view of QUIC-FLIP holder



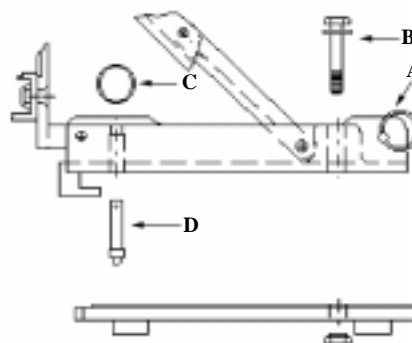
Assembly shown for left side of vehicle mounting. For right side mounting, move lock pins to opposite side. See lock pin removal.



QUIC-FLIP assembly shown with standoff mounted on 1" side.

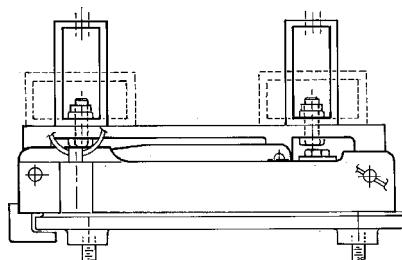
Lock Pin removal

1. Pull release pin (A) to open flip to vertical position.
2. Remove center bolt (B).
3. Remove key ring (C).
4. Push out lock pin (D). Now reverse steps 4 to 1 for right side assembly.



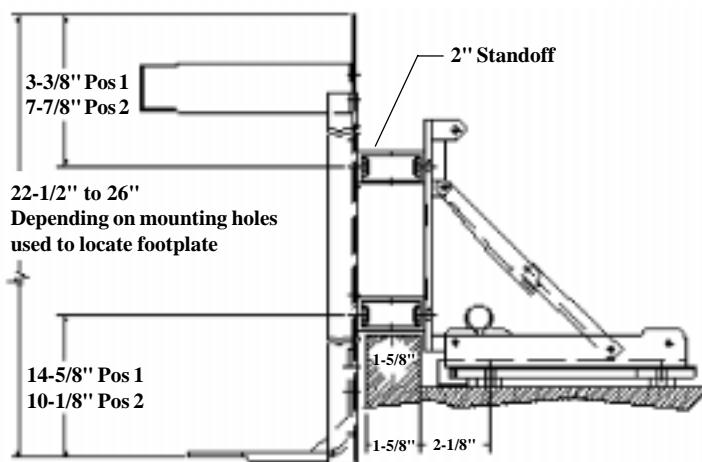
QUIC-FLIP holder with standoff

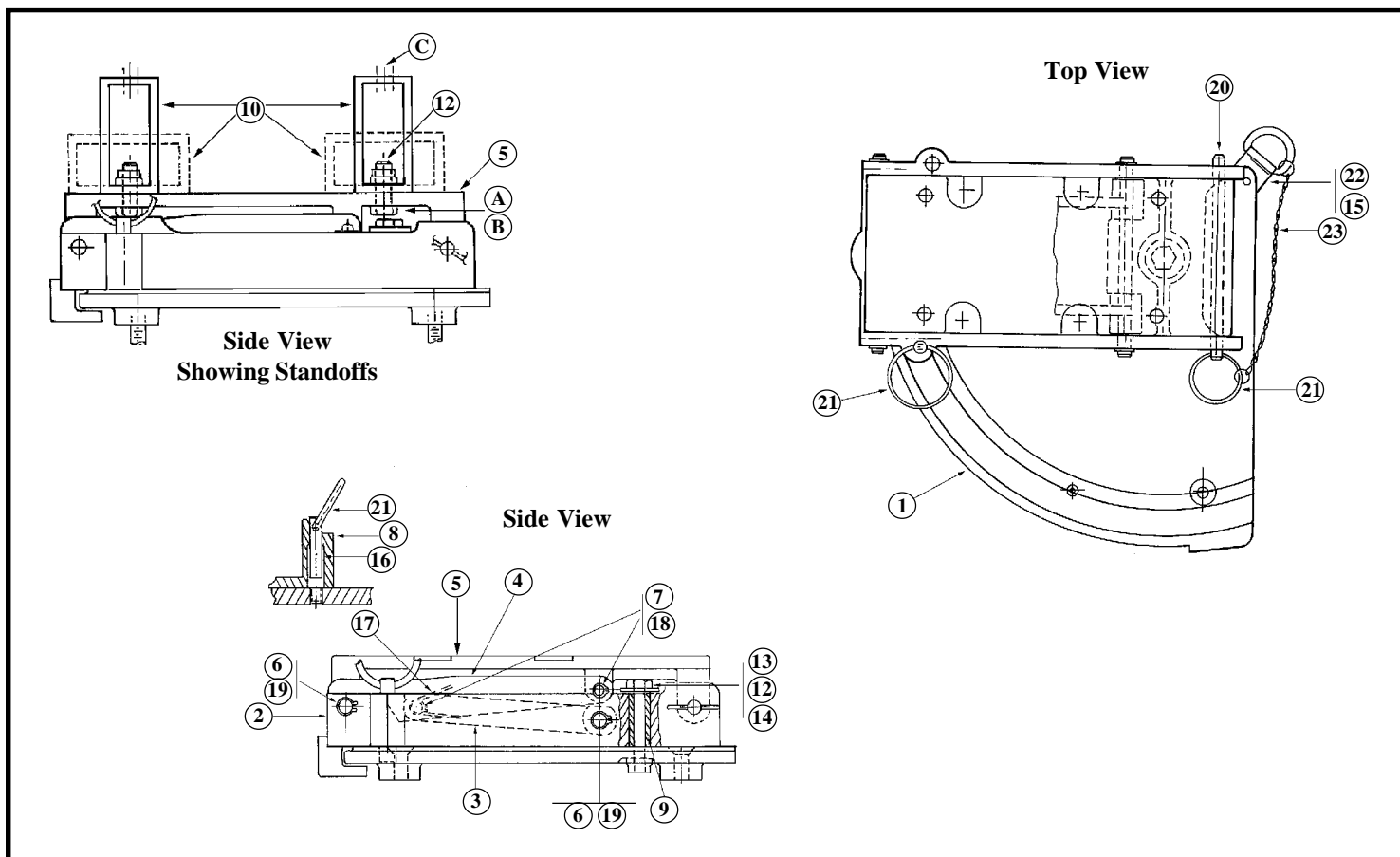
A pair of rectangular (1" x 2") spacer blocks are required only if a restriction prevents the free movement of the bracket, around and down into the donning position. The blocks raise the WALKAWAY bracket either 1" or 2" above the face plate, of the mount, to miss boxed lip on compartment or over seat cushions.



Dimensions with standoffs

Stand off in horizontal position will raise bracket 1" above face plate on FLIP. In vertical position the bracket will be 2" above the face plate.





ITEM	PART NO.	DESCRIPTION	PARTS REQ.
1	1030-105-105	Base Casting	1
2	1030-000-110	Bracket Casting	1
3	1030-000-115	Yoke - Inner	1
4	1030-000-120	Yoke - Outer	1
5	1030-000-125	Faceplate Casting	1
6	1030-000-130	Shaft - .25 Dia.	2
7	1030-000-135	Shaft - .187 Dia.	2
8	1030-000-140	Lock Pin	1
9	1030-000-145	Sleeve	1
10	1030-000-150	Standoff - 2" x 1" Tube	2
11	1020-000-125	Extruded Alum. Plate	1
12	9013-172500	Nut-Lock 1/4-20	9

ITEM	PART NO.	DESCRIPTION	PARTS REQ.
13	9010-102524	Bolt 1/4-20 x 1-1/2"	1
14	9114-302500	Washer - Spring	1
15	9020-101505	Drive Screw #7 x 5/16"	1
16	1030-000-155	Spring - Compression	1
17	1030-000-160	Spring - Torsion	1
18	1030-000-165	Retaining Ring - .187" Dia.	2
19	1030-000-170	Retaining Ring - .250" Dia.	4
20	9050-002558	Detent Pin - 1/4" Dia. x 3.6"	1
21	0000-000-120	Split Key Ring	2
22	0000-000-125	Clip and Dee	1
23	0000-000-177	Single Steel Jack Chain - 6 Links	1

Extra hardware required:

- A. 9010-152510 Bolt 1/4-20 x 5/8 flat hd to attach standoff (10) to faceplate (5) - 4 required.
- B. 9010-152514 Bolt 1/4-20 x 7/8 flat hd - to attach WALKAWAY bracket and extrusion plate (11) to faceplate (5) - 4 req.
- C. 9010-102514 Bolt 1/4-20 x 7/8 hex hd - to attach WALKAWAY bracket and extrusion plate (11) to standoff (10) - 4 req.



Ziamatic Corp.

10 West College Avenue, P.O. Box 337, Yardley, PA 19067-0587 • (215) 493-3618 • FAX: (215) 493-1401

*ZICO is a registered trademark for fire, safety and marine products made by Ziamatic Corp.

CALL TOLL FREE (800) 711-FIRE

Copyright Ziamatic Corp. 12-95