

**QUIC-STEP® MANUAL VEHICLE STEP
MODEL MPOS
PARTS AND INFORMATION MANUAL**

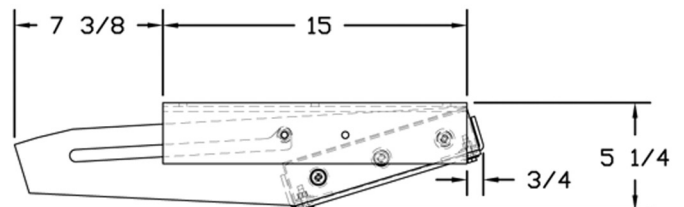
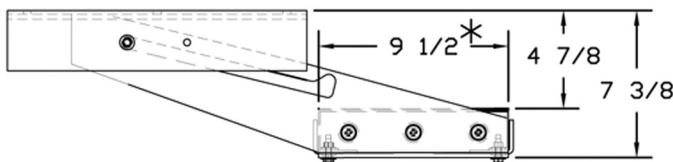
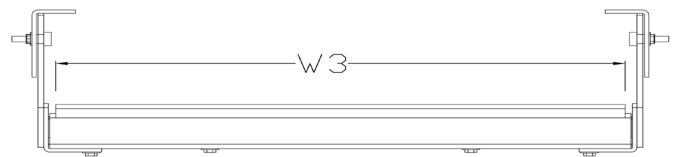
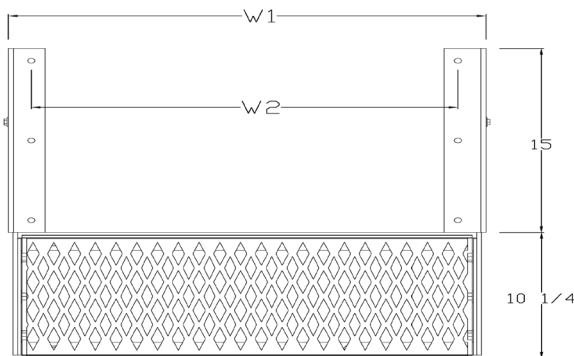


The stepping surface is 9.5" deep and is a non-skid surface to provide traction and safety. Also, it allows mud and debris to fall through rather than stay on the stepping surface.

The MPOS-X is designed to sustain a static load of 500 lbs. This should be taken into account in determining strength required of mounting surface.

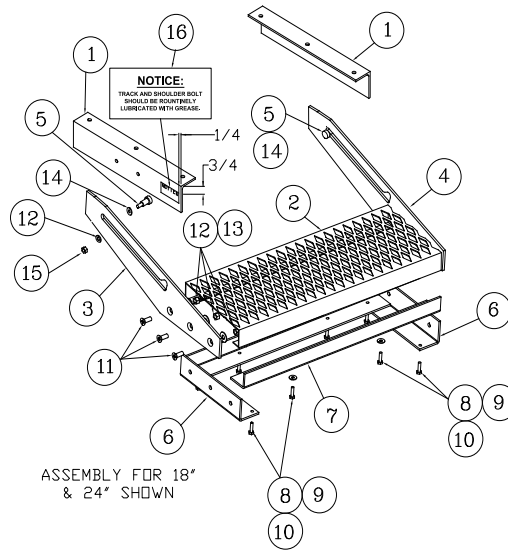
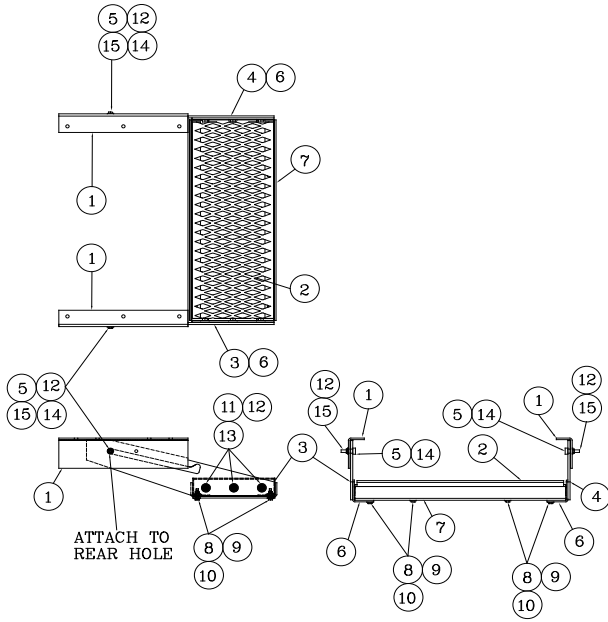
Meets NFPA 1901-09 requirements.

MODEL NO.	DESCRIPTION	W1	W2	W3	WT./@ IN LBS.
MPOS-18	Manual Vehicle Step - 18" width	20 3/8	17 7/8	18	33.0
MPOS-24	Manual Vehicle Step - 24" width	26 3/8	23 7/8	23 5/8	36.00
MPOS-36	Manual Vehicle Step - 36" width	38 3/8	35 7/8	36	42.00
MPOS-48	Manual Vehicle Step - 48" width	50 3/8	47 7/8	47 1/4	48.00



*Stepping surface

Parts Breakdown



ITEM	PART NO.	DESCRIPTION	QTY.
1	3094-110-101	Pull-Out Step Guide	2
2	3094-115-111	18" Grating	1
	3094-110-111	24" Grating	1
	3094-120-111	36" Grating	1
	3094-125-111	48" Grating	1
3	3094-110-109	Grating Rail, Left	1
4	3094-110-107	Grating Rail, Right	1
5	3030-160-115	Shoulder Bolt, w/Washer	2
6	3094-110-105	Grating Cap Short	2
7	3094-115-103	Grating Cap 18"	2
	3094-110-103	Grating Cap 24"	2
	3097-120-103	Grating Cap 36"	2
	3094-125-103	Grating Cap 48"	2
8	9015-102516	1/4"-20 x 1" Hex Screw	8
9	9014-112500	1/4" Washer	4
10	9015-172500	1/4"-20 Nylock Nut	8
11	9010-163716	3/8-16 x 1" Ph Hd Screw	6
12	See Item 5	Flat Washer, provided with Bolt	2
13	9013-173700	3/8"-16 Nylock Nut	6
14	9014-115000	1/2" I.D. USS Flat Washer	2
15	9018-173700	Locknut, Nylon 3/8"-16, GR8	2
16	3094-110-117	Notice Label	1

Mounting Instructions:

Mount as required using 6 each 3/8" hardware(not supplied)

Operation:

To deploy, lift and slide out.

To store, lift and slide into fully stored position.

Maintenance:

Semi-Annually lubricate all joints and pivots with CRC Stor & Lube long-term lubricant and rust preventative # 03032. Excess lubrication should be wiped off.



Ziamatic Corp.

10 West College Avenue, P.O. Box 337, Yardley, PA 19067-0587 • (215) 493-3618 • FAX: (215) 493-1401

*ZICO is a registered trademark for fire, safety and marine products made by Ziamatic Corp.

www.ziamatic.com

TOLL FREE: 800-711-3473

Copyright Ziamatic Corp. 10-22