

**QUIC-BRIDGE® EXTRUDED ALUMINUM HOSE GUARDS**  
**MODEL EAHB-**  
**PARTS AND INFORMATION MANUAL**

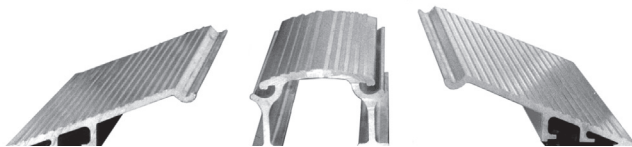
Each extruded aluminum bridge is composed of one center hose guard and two ramps. Bridges are sold in pairs. Neoprene feet hold the bridge firmly in place. Vehicle tires do not come into contact with the hose line.



3" hose guard

MODEL	DESCRIPTION	WT./SET IN LBS.
EAHB-30-16	16" Wide extruded bridge set - 3" hose	60.0
EAHB-30-24	24" Wide extruded bridge set - 3" hose	85.0
EAHB-30-36	36" Wide extruded bridge set - 3" hose	118.0
EAHB-50-16	16" Wide extruded bridge set - 5" hose	100.0
EAHB-50-24	24" Wide extruded bridge set - 5" hose	150.0

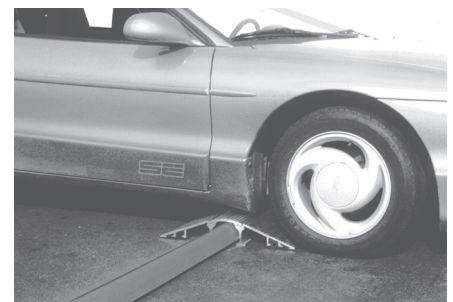
**Easy to Assemble**



To assemble, ramp is placed into slot and lowered to the road surface. Remove one ramp, and bridge may be used to jump curb.



**Easy to Use**

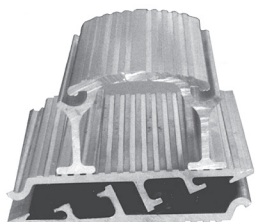


Works with small cars or

the largest fire apparatus

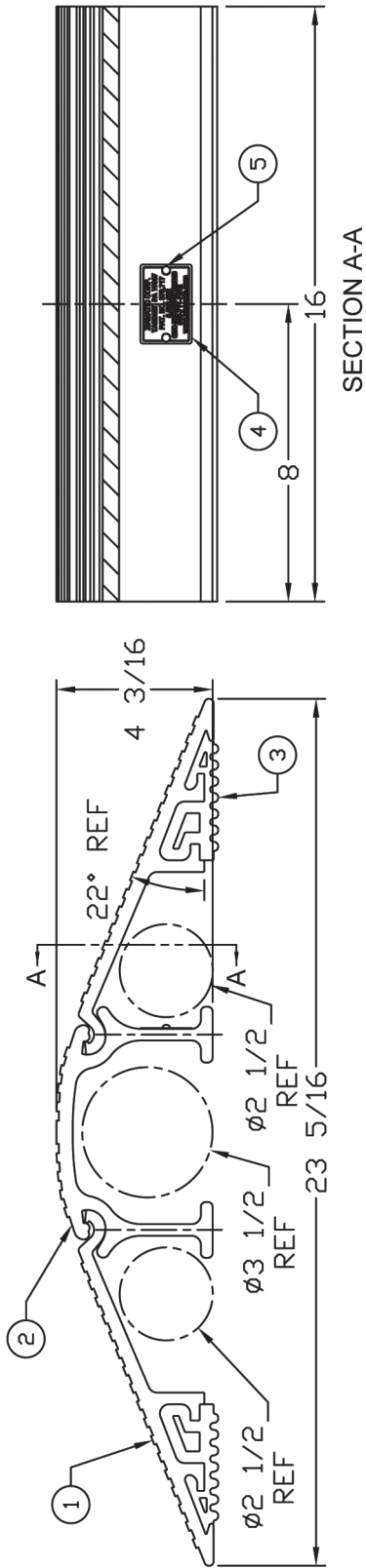


**Easy to Store**



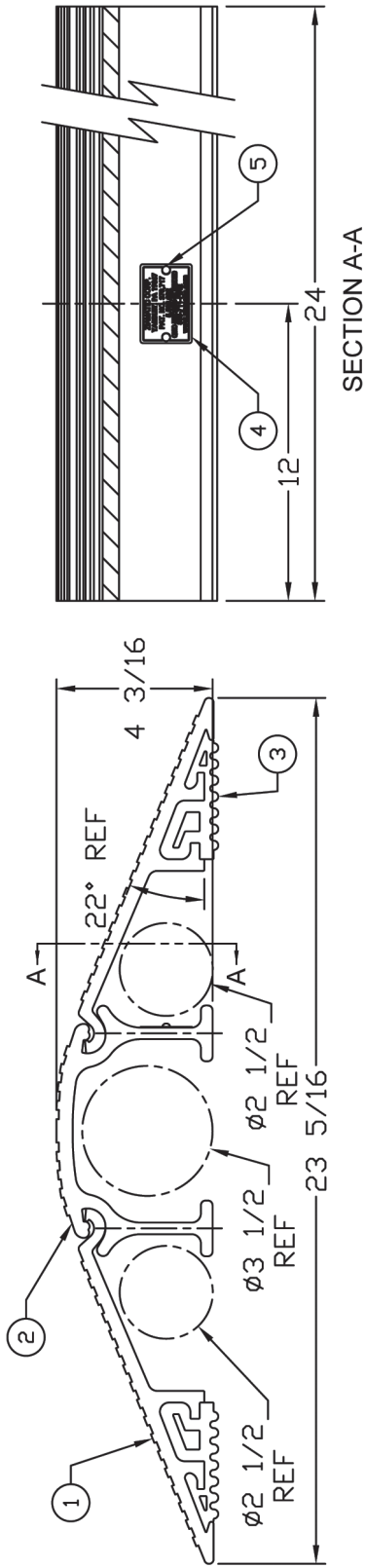
1/2 set shown  
 3" set stores in 10-1/4" W x 9-1/4" H area  
 5" set stores in 17-1/2" W x 10-1/4" H area

24" wide bridges are recommended for fire apparatus since the dual rear wheels have a tread width of 24".



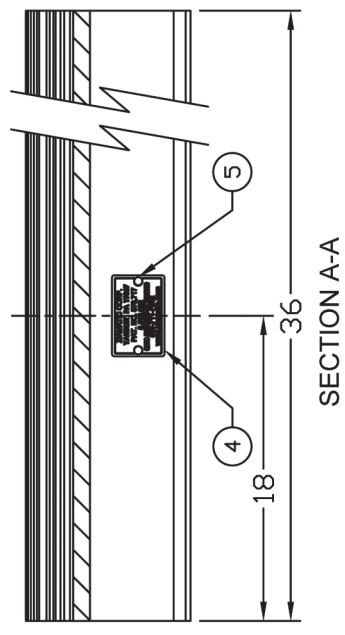
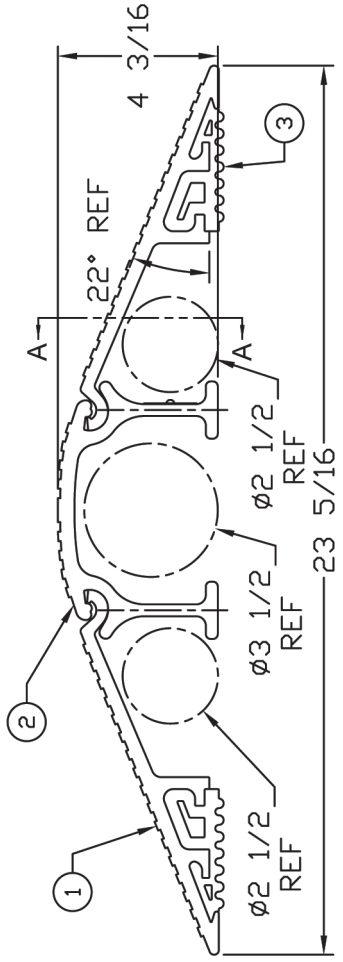
ITEM	P/N	DESCRIPTION	QTY.
1	2045-155-102	HOSE RAMP, 16"	4
2	2045-155-112	HOSE GUARD 03" X 16"	2
3	2045-155-122	FEET, 16"	4
4	2045-000-105	METAL LABEL, QUIC BRIDGE	2
5	9120-101103	DRIVE SCREW, #4	4

## Model EAHB-30-16



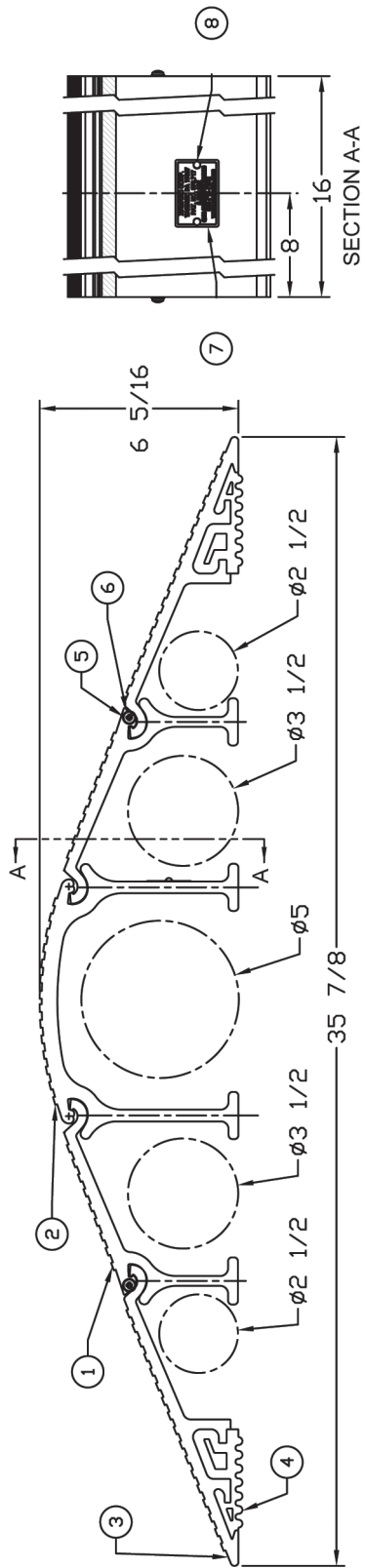
ITEM	P/N	DESCRIPTION	QTY.
1	2045-155-103	HOSE RAMP, 24"	4
2	2045-155-113	HOSE GUARD 03" X 24"	2
3	2045-155-123	FEET, 24"	4
4	2045-000-105	METAL LABEL, QUIC BRIDGE	2
5	9120-101103	DRIVE SCREW, #4	4

## Model EAHB-30-24



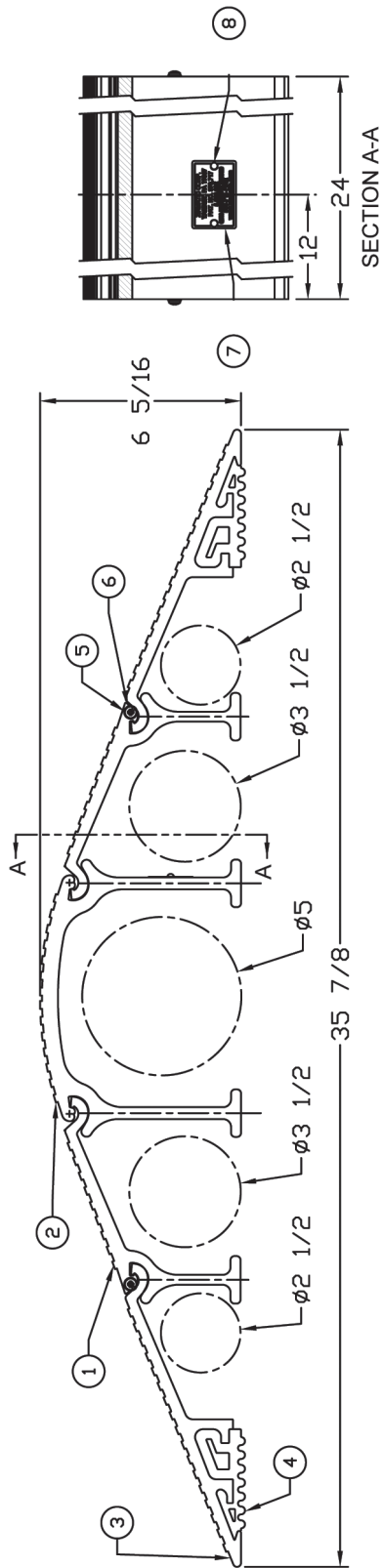
ITEM	P/N	DESCRIPTION	QTY.
1	2045-155-104	HOSE RAMP, 36"	4
2	2045-155-114	HOSE GUARD 03" X 36"	2
3	2045-155-124	FEET, 36"	4
4	2045-000-105	METAL LABEL, QUIC BRIDGE	2
5	9120-101103	DRIVE SCREW, #4	4

## Model EAHB-30-36



ITEM	PN	DESCRIPTION	QTY
1	2045-200-102	INTERMEDIATE RAMP, 16"	4
2	2045-200-112	HOSE GUARD 05" X 16"	2
3	2045-155-102	HOSE RAMP 16"	4
4	2045-155-122	FEET, 16"	4
5	9125-132010	#10-32 X 5/8 PAN HEAD PHIL	8
6	9114-101900	#10 FLAT WASHER	8
7	2045-000-105	METAL LABEL, QUIC BRIDGE	2
8	9120-101103	DRIVE SCREW, #4	4

## Model EAHB-50-16



ITEM	PN	DESCRIPTION	QTY
1	2045-200-103	INTERMEDIATE RAMP, 24"	4
2	2045-200-113	HOSE GUARD 05" X 24"	2
3	2045-155-103	HOSE RAMP 24"	4
4	2045-155-123	FEET, 24"	4
5	9125-132010	#10-32 X 5/8 PAN HEAD PHIL	8
6	9114-101900	#10 FLAT WASHER	8
7	2045-000-105	METAL LABEL, QUIC BRIDGE	2
8	9120-101103	DRIVE SCREW, #4	4

## Model EAHB-50-24



*Ziamatic Corp.*

10 West College Avenue, P.O. Box 337, Yardley, PA 19067-0587 • (215) 493-3618 • FAX: (215) 493-1401

[www.ziamatic.com](http://www.ziamatic.com)

TOLL FREE: 800-711-3473

\*ZICO is a registered trademark for fire, safety and marine products made by Ziamatic Corp.

Copyright Ziamatic Corp. 7-18