

QUIC-STORAGE® RACK - STEEL

MODELS ACSR & VACSR

PARTS AND INFORMATION MANUAL

ZICO®

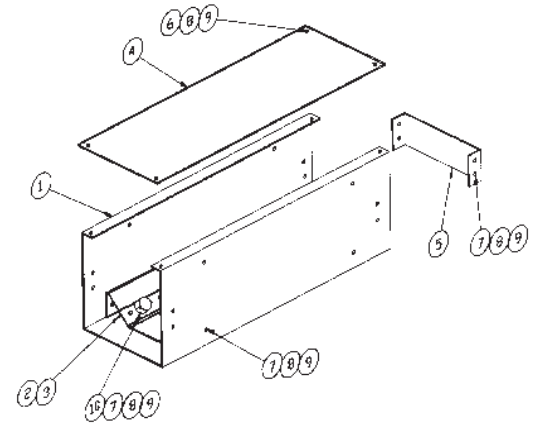
1090PM1

REV. 1-10-19

Assembly is quick and easy, requiring no special tools. All necessary parts and hardware are included for the particular arrangement being ordered.

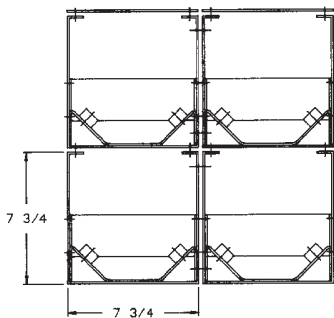
To Assemble One Unit for Horizontal Placement:

1. Bolt one rubber bumper (10) to each side of the inside angle of cradle (2/3). Four hole locations are provided for this step. The hole to use depends on length of air cylinder.
2. Slide cradle into bottom of box (1). Line up holes on cradle and box and secure with supplied screws, lock washers and nuts.
3. Stop (5) is bolted to inside rear of box.
4. Top Panel (4) is bolted to the open top of box. The storage rack is now ready for use.



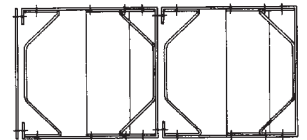
ITEM NO.	DESCRIPTION	YELLOW PART NUMBER	BLACK PART NUMBER	PART NUMBER	QTY. FOR HORIZONTAL HOLDER	QTY. FOR VERTICAL HOLDER
1	Box	1090-000-110	1090-000-112		1	1
2	Cradle - 5.3 to 5.6"	1090-000-120	1090-000-122		1	2
3	Cradle - 6.75 to 7.25"	1090-000-125	1090-000-127		1	2
4	Top	1090-000-130	1090-000-132		1	1
5	Stop	1090-000-155	1090-000-157		1	1
6	10-24 x 3/8" hex head m/s			9010-101906	4	4
7	10-24 x 5/8" hex head m/s			9010-101910	10	12
8	10-24 hex head nut			9012-101900	14	16
9	#10 lock washer			9114-201900	14	16
10	Rubber bumper			1090-000-150	2	0
11	Reflective label Model ACSR			1090-000-105	1	0
12	Reflective label Model VACSR			1090-000-106	0	1

To Assemble in Series of 2 or More Units for Horizontal Placement:



Follow steps 1, 2 and 3 as above. If the racks are placed one above the other, only one Top Panel is needed per stack. See diagram. Bolt top Box to the open Box below. Now finish by bolting Top Panel to the top Box. If placed side by side, bolt one Box to the other using 4 bolts. Use cradle bolts on the bottom of each Box and opposing holes at top for this purpose.

To Assemble for Vertical Placement:

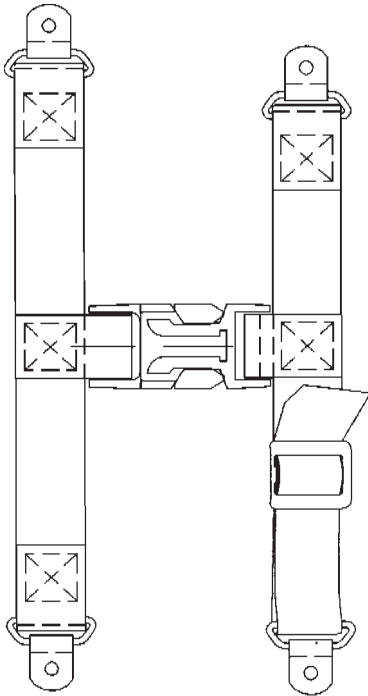


For use in upright position 2 cradles must be used in each Box. Bumpers are not necessary.

1. Slide cradle into bottom of Box. Line up holes and tighten bolts.
2. Slide cradle number 2 into open end of Box. Apply Top Panel to outside and bolt cradle, Box and Top Panel together.
3. Stop is now bolted to bottom inside of Box. Rack is ready for use.

To use in series of 2 or more, bolt closed side of Box and cradle to open top of Box and cradle of preceding rack. Only one Top Panel is necessary for the open top of Box of the last rack in series. See Diagram.

STEEL QUIC-STORAGE® RACK RESTRAINT STRAP MODEL ACSR-RS



Restraint strap prevents accidental release of SCBA air cylinder, while still providing easy access when needed.

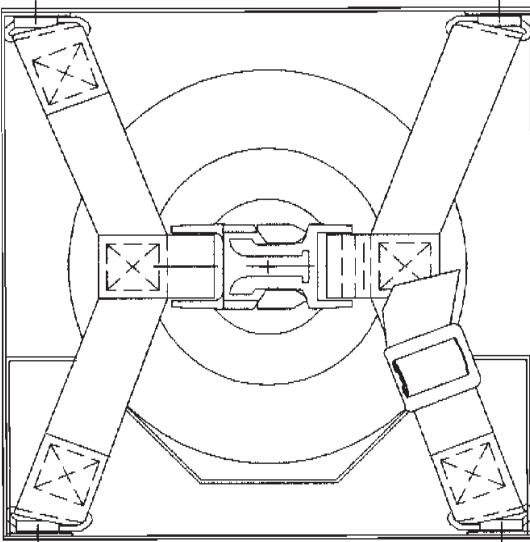
The NFPA requires restraint straps for SCBA air cylinder storage racks. The straps are designed to keep the air cylinder in place in the event of an accident or roll-over.

The strap assembly bolts into place utilizing the four corner mounting holes. Order with new storage racks or retrofit onto existing units.

Use with Model ACSR horizontal or model VACSR vertical storage racks.

Mounting Instructions:

1. Restraint strap may be used with any model ACSR or VACSR storage rack.
2. Insert hex head bolts from outside of box, top and bottom.
3. Position strap assembly in front of box with the adjustable strap on the right side.
4. "D" rings go on the inside of the box.
5. Attach lock washer and nut to screw and tighten.
6. Adjust the right strap as needed to position the buckle over the end of the cylinder valve.



PART NO.	DESCRIPTION	QTY.
1090-250-105	Restraint strap assembly	1
9010-101910	10-24 x 5/8" hex head screw	4
9012-101900	10-24 hex head nut	4
9114-201900	#10 lock washer	4



Ziamatic Corp.

10 West College Avenue, P.O. Box 337, Yardley, PA 19067-0587 • (215) 493-3618 • FAX: (215) 493-1401

www.ziamatic.com

TOLL FREE: 800-711-3473