

**QUIC-CHOC® WHEEL BLOCKS AND HOLDERS
MODELS AC-1, AC-2, AC-32 AND AC-44**

NFPA Standards Require Two Wheel Chocs Be Mounted On Fire Apparatus Before Being Placed Into Service.

The Chocs are required to hold a fully loaded apparatus on a 10 percent grade with the transmission in neutral and the parking brake released.

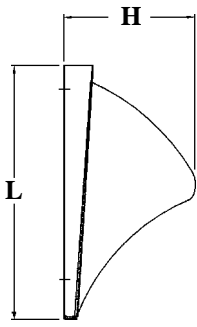


ZICO chocs comply with the SAEJ348 Standard for Wheel Chocs. This standard presents basic criteria for the design, manufacture and testing of wheel chocs. ZICO Model AC-44 and SAC-44 Chocs have been Third-Party Tested and Certified to meet or exceed the SAEJ348 Standard for wheels up to 44 inches.

Undersized chocs may fail to restrain the vehicle. The vehicle may either roll over or crush an undersized choc, possibly resulting in bodily injury or property damage.

ZICO Chocs Feature:	AC-1	AC-2	AC-32*	AC-44*	SAC-44*	
• High-tensile strength aluminum construction	6-1/2"	8-1/4"	8-1/2"	12"	12"	
• Large rear-opening hand grip permitting safe and easy placement and removal	6"	8-5/8"	8"	11-1/4"	10-1/2"	
• Double row of rugged teeth to grip almost any firm surface	11-3/4"	15"	14-13/16"	21"	21"	
• Third party tested for compliance	3.7	7.4	7.5	15.3	19.0	
• Model SAC-44 Space-Saver choc folds for easy storage	Meets SAEJ348 for up to " wheel dia.	---	---	32"	44"	
	Horiz. Holder Model #	QCH-1	QCH-2	QCH-32-H	---	SQCH-44-H
	Vert. Holder Model #	QCH-11	QCH-22	QCH-32-V	QCH-44-V	---
	*Meets or exceeds the SAEJ348 Standard					

Vertical and/or horizontal holders are available for all QUIC-CHOC Wheel Blocks. Horizontal holders may be mounted under the vehicle. See 3025PM3 for information on SAC-44 Space-Saver choc and holder. See 3025PM5 for information on the QCH-SL Safety Latch.



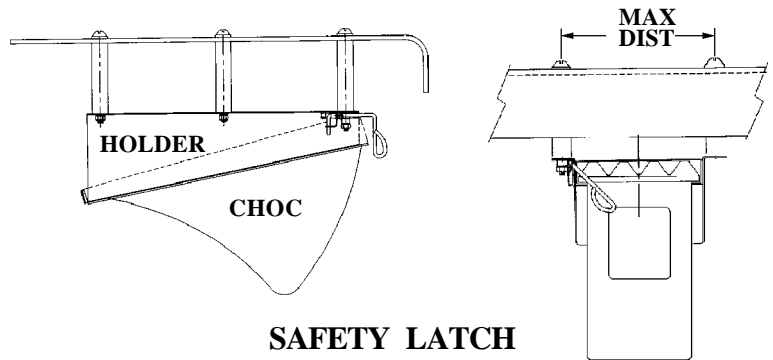
MODEL NO.	L	W	H
QCH-11	12-3/4"	6"	6-1/2"
QCH-22	16-1/4"	8-3/4"	8-1/4"
QCH-32-V	16-1/4"	8-1/4"	8-3/4"
QCH-44-V	21-1/4"	11-3/4"	12-1/8"

No hardware is provided with vertical holders

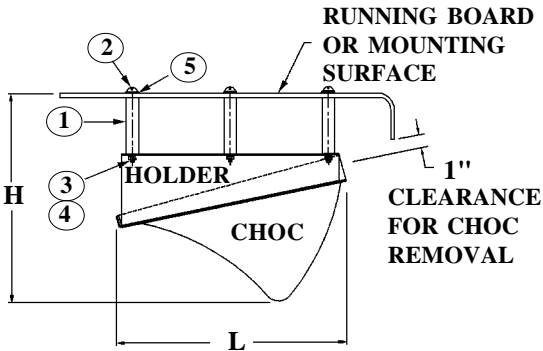
VERTICAL CHOC HOLDER DIMENSIONS

MOUNTING CHOC HOLDERS:

- Quantity of parts provided with horizontal holders listed below.
- Mounting dimensions for chocs and holders shown.
- All horizontal holders have six mounting holes (use any 4 holes). Vertical holders have four holes.
- Use choc holder as pattern to mark hole locations (see dimensions to right). Insert choc into holder prior to marking hole locations to insure proper fit.
- Drill 5/16" diameter holes for mounting.
- Cut tubes to length required - make sure choc has sufficient room to clear edge of running board or compartment when choc is removed.
- Use round head bolts when mounting vertical holders.
- Model QCH-SL Safety Latch may be ordered with or added to Model QCH-1, QCH-2 and QCH-32-H holders as shown below.



SAFETY LATCH



Each horizontal holder comes with four @:

ITEM	PART NO.	DESCRIPTION
1	3025-000-110	4" tube
2	9010-232572	1/4-20 x 4-1/2 rd. hd. machine screw
3	9012-102500	1/4-20 hex hd. nut
4	9014-202500	1/4 ID lock washer
5	9014-112500	1/4 ID flat washer

HORIZONTAL HOLDER MODEL NO.	FOR CHOC MODEL NO.	L	W	H	MAX. DIST.
QCH-1	AC-1	12-1/2"	8-1/4"	11-3/4"	7-3/8"
QCH-2	AC-2	16-1/4"	11-3/8"	14-1/4"	9-3/4"
QCH-32-H	AC-32	16"	10-7/8"	14-3/4"	9-7/16"
QCH-44-H	AC-44	21"	14"	17-1/2"	12-3/16"

MAX. DIST. refers to maximum distance between mounting holes.

HORIZONTAL CHOC HOLDER DIMENSIONS



Ziamatic Corp.

10 West College Avenue, P.O. Box 337, Yardley, PA 19067-8337 • (215) 493-3618 • FAX: (215) 493-1401

*ZICO is a registered trademark for fire, safety and marine products made by Ziamatic Corp.

www.ZIAMATIC.com
800-711-3473

Copyright Ziamatic Corp. 5-02