

QUIC-CHOC® WHEEL CHOCES AND HOLDERS
MODELS AC-1, AC-2, AND AC-32
PARTS AND INFORMATION MANUAL



AC-1



AC-2



AC-32



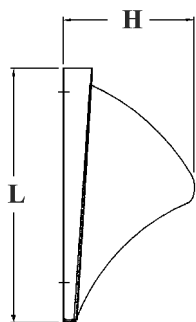
Application

Note: NFPA 1901 requires that each fire apparatus have two easily accessible wheel chocs before it can be placed into service. These wheel chocs must be able to hold the fully-loaded apparatus on a 20-percent grade hard surface with the transmission in neutral and the parking brake released.

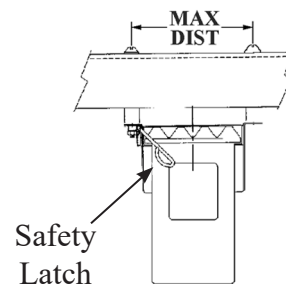
WARNING: Be sure to outfit each apparatus with the appropriately-sized chocs for its tires. Undersized chocs may fail to properly restrain a vehicle, being easily rolled over or in some cases, crushed, potentially resulting in property damage and/or bodily injury to personnel.

Features:		AC-1	AC-2	AC-32
	• High-tensile strength, one piece aluminum construction	Height	6-1/2"	8-1/4"
• Large, rear-opening hand grip for easy transport and placement	Width	6"	8-5/8"	8"
• Double row of rugged teeth grip virtually any firm surface	Length	11-3/4"	15"	14-13/16"
• Third-party tested for safety compliance	Weight (lbs.)	3.7	7.4	7.5
• Easily stored below the apparatus (holders sold separately)	NFPA Compliant (max. wheel dia.)	N/A	32"	32"
	SAE-J348 Compliant (max. wheel dia.)	N/A	N/A	32"
	Horiz. Holder Model #	QCH-1	QCH-2	QCH-32-H
	Vert. Holder Model #	QCH-11	QCH-12	QCH-32-V

VERTICAL CHOC HOLDER DIMENSIONS



MODEL NO.	FOR CHOC MODEL NO.	L	W	H	WT./@ IN LBS.
QCH-11	AC-1	12-3/4"	6"	6-1/2"	1.8
QCH-22	AC-2	16-1/4"	8-3/4"	8-1/4"	3.3
QCH-32-V	AC-32	16-1/4"	8-1/4"	8-3/4"	3.05



HORIZONTAL CHOC HOLDER DIMENSIONS

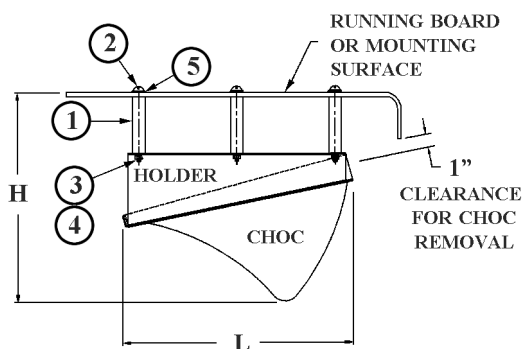
MODEL NO.	FOR CHOC MODEL NO.	L	W	H	MAX. DIST.*	WT./@ IN LBS.
QCH-1	AC-1	12-1/2"	8-1/4"	11-3/4"	7-3/8"	3.75
QCH-2	AC-2	16-1/4"	11-3/8"	14-1/4"	9-3/4"	5.7
QCH-32-H	AC-32	16"	10-7/8"	14-3/4"	9-7/16"	5.55

*MAX. DIST. refers to maximum distance between mounting holes (see diagram above).

Note: Horizontal holders may be installed under the vehicle for fast and easy operator access as well as efficient use of available space. In these cases we highly recommend the addition of a Model QCH-SL Safety Latch (sold separately) to keep the choc secured during transport.

Mounting Instructions:

- Slide choc into holder to confirm proper fit. Place choc and holder in desired mounting location and test that choc can be easily removed from that location when needed.
- Using the holder as a guide, mark the location of the mounting holes on the desired mounting surface. Horizontal holders should be mounted at a minimum of four points (six mounting holes available). Vertical holders should be mounted at all four points available.
- When satisfied with positioning, drill 5/16" diameter holes at marked locations.
- If mounting a horizontal holder, cut 4" spacer tubes down to length required (see diagram below). Choc must have sufficient room (minimum 1") to clear the edge of the running board or compartment for proper removal.
- Secure holder with appropriate hardware. No hardware is provided with vertical holders but round head bolts are recommended.
- Install Model QCH-SL Safety Latch if storing choc on the outside of the apparatus (see Manual 3025PM5).



Hardware Pack (Horiz. Holders Only)

ITEM	PART NO.	DESCRIPTION	QTY.
1	3025-000-110	4" tube	4
2	9010-232580	1/4-20 x 5" rd. hd. machine screw	4
3	9012-102500	1/4-20 hex hd. nut	4
4	9014-202500	1/4 ID lock washer	4
5	9014-112500	1/4 ID flat washer.	4



Ziamatic Corp.

10 West College Avenue, P.O. Box 337, Yardley, PA 19067-0587 • (215) 493-3618 • FAX: (215) 493-1401

*ZICO is a registered trademark for fire, safety and marine products made by Ziamatic Corp.

www.ziamatic.com
TOLL FREE: 800-711-3473

Copyright Ziamatic Corp. 7-20