



**SPECIFICATIONS – VEHICLE MOUNTED: MODEL CX**  
**Intelligent Design. Dependable Performance**

The Waterous CX pump is for those in need of a tough, all-around, yet easy-to-use single-stage end-suction pump. Designed for mounting on ARFF trucks, fire boats, midship mounted and driven by a PTO drive, the CX pump can also be front-mounted or direct-driven. Providing reliable performance from 750 GPM @ 150 PSI (2850 L/min @ 10.3 bar) and up to 1250 GPM @ 150 PSI (4750 L/min @ 10.3 bar), the CX offers five transmission options to match your pump mounting requirements. The CX is also backed by a standard five-year warranty. An optional Total Protection Package (TPP-5) is available.



**Design Features:**

The efficient performance and modern design make the CX series pumps outstanding in their class. The combination of single-stage design and vertically-split volute and pump transmission provide a simple to operate, easy to maintain pump. The use of heavy duty gears, bearings and shafts provides longer, more trouble-free service and a high reserve capacity.

CX pumps are available with several transmission options, most providing pump-and-roll performance, in addition to its unique mounting. The pump may be driven from engine

crankshaft (front mounted), power take-off driven, or direct-engine driven (bellhousing mounted).

CX pumps are available with either flanged or threaded intake connections. Threaded intake connections are available in two popular sizes. The CX can also be equipped with Victaulic® intake and discharge fittings for crash truck or fire boat use.

Factory installed and tested accessories are available as options to tailor the CX pump to your needs.

**Pump Specifications:**

**Casing:**

Two-piece, vertically-split, high-tensile, close-grained gray iron, or bronze (optional).

**Impeller:**

Bronze impeller specifically designed for the fire service, double hubbed to eliminate axial thrust, and accurately balanced for vibration-free running. Impellers with flame-plated hubs for extreme wear resistance are optional.

**Wear Rings:**

Replaceable bronze wear rings to increase pump life and keep maintenance costs at a minimum.

**Impeller Shaft:**

Stainless steel, heat treated, precisely ground to size, and polished under shaft seal. Supported by oil-lubricated ball bearings.

**Bearings:**

All bearings are oil or grease lubricated, ball-type, located outside the pump casting to accurately align and support the impeller shaft assembly. Ball bearings are deep groove type designed to carry both radial and axial thrust.

**Shaft Seal:**

Face-type, self-adjusting, corrosion and wear resistance mechanical seal is standard.

**Intake Fittings – Choice of the Following:**

Type	Model	Sizes
Threaded End Intake	CXR	5 or 6 inch
Flanged Intake	CXN	5 inch
Victaulic® Intake	CXV	5 inch

**Note: 5 or 6 inch threaded intake available with 3 inch auxiliary intake ports.**

**Industry-Leading Sales and Support**

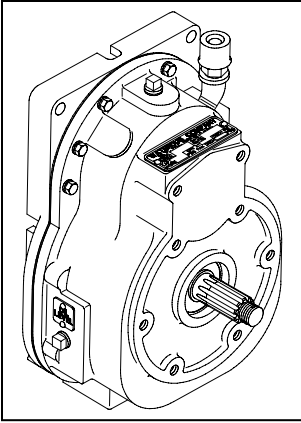
When you purchase Waterous equipment, not only do you get quality products, you get quality service. Our expert service technicians are the best in the business and they are always happy to answer any service questions you might have.

**Sales/Applications Assistance**  
 Phone: 651-450-5234 (Press 3)  
 pumps@waterousco.com

**Service Assistance**  
 Phone: 651-450-5200  
 Fax: 800-488-1228  
 service@waterousco.com

## SPECIFICATIONS – VEHICLE MOUNTED: MODEL CX

### Pump Transmissions

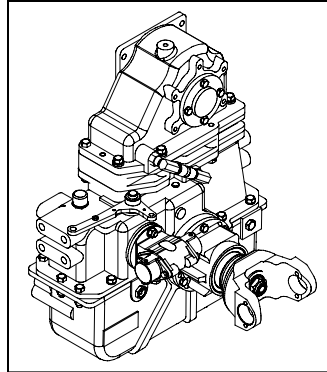


#### K Series

The K Series Transmission is normally used when a truck transmission mounted power take-off is selected as the pump drive.

**Housing:** Close-grained, gray iron

**Gears:** Helical, precision cut, crown shaved for proper load distribution and quiet operation.

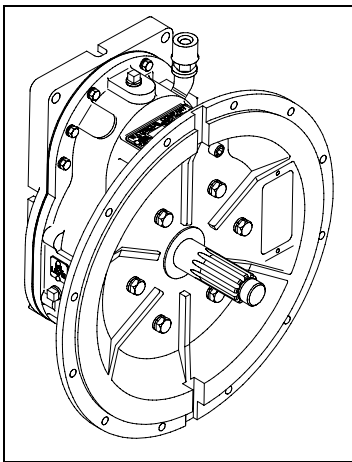


#### C10 Series

The "C10" series transmission is supplied when the pump is to be midship mounted. Power from the truck's automatic transmission is transmitted to the pump.

**Housing:** High-strength aluminum

**Chain:** Morse HV<sup>®</sup>, high-strength involute chain



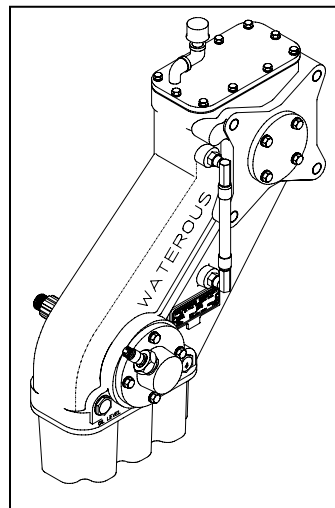
#### T Series

The T Series Transmission is supplied when the pump is to be mounted directly to the engine bell housing. This provides a clean, compact arrangement and allows for complete pump and roll capability.

T Transmissions are available in SAE 2, 3, 4, or 5 bell housing adapters.

**Housing:** Close-grained, gray iron

**Gears:** Helical, precision cut, crown shaved for proper load distribution and quiet operation.



#### PA Series

PA Series transmission is normally used when a truck transmission mounted power take-off is selected as the pump drive. Designed for use with Allison transmissions with 10-bolt PTO.

**Housing:** High-strength aluminum

**Chain:** Morse HV<sup>®</sup>, high-strength involute chain

### Accessories & Optional Equipment

The accessories below are available for Waterous CX pumps. For detailed information about these accessories, request each specification sheet by number.

#### Total Protection Package (TPP-5)

The Total Protection Package is a comprehensive warranty that increases your standard warranty to include labor expenses to dismantle, remove and reinstall covered products or parts, F-2626.

#### Primer

Select an electric rotary vane primer for fast, reliable priming. F-2418

#### Pressure Control Systems

##### Discharge Relief Valve

Simple ON-OFF control permits placing the system in or out of operation in seconds. See Relief Valve, F-897.

##### Intake Relief Valves

The Waterous intake relief valve is designed to dump excess pressure from the inlet side of the pump. See Intake Relief Valves, F-2192.

#### Corrosion Protection

Waterous offers replaceable zinc intake screens and anodes to provide corrosion protection. These items are designed to sacrifice the zinc element to galvanic corrosion. Without this protection, galvanic corrosion may damage the iron pump body and fittings.

#### Overheat Protection Manager

The OPM consists of an illuminated warning light on the operator's panel whenever the pump approaches an overheat condition, F-2422

#### Drain Valves

Drains all points of the pump simultaneously with the operation of a single control. F-1158

#### Discharge Valves

The following Waterous ball-type discharge valves are available: 2-1/2 inch, 3-1/2 inch, rack and sector push-pull, worm gear and electric. Chrome-plated brass ball and hydraulically-balanced seal assembly standard. See Discharge Valves, F-1161.

#### Tachometer

Tachometer drive available; operates at 1/2 input shaft speed.