



# TECHNICAL DATA

## PILOT REGULATING FLOW CONTROL HORIZONTAL TRIM 6" (DN150) MODEL J STRAIGHT THROUGH FLOW CONTROL VALVE

The Viking Corporation, 210 N Industrial Park Drive, Hastings MI 49058  
 Telephone: 269-945-9501 Technical Services: 877-384-5464 Fax: 269-818-1680 Email: techsvcs@vikingcorp.com  
 Visit the Viking website for the latest edition of this technical data page: www.vikinggroupinc.com

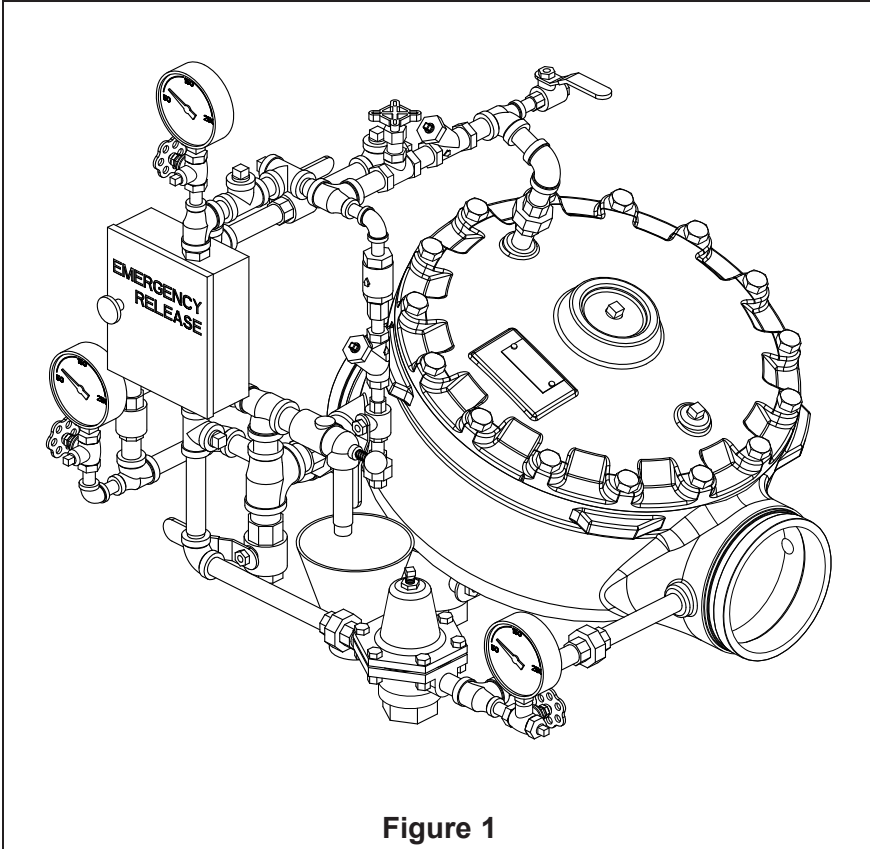


Figure 1

This Trim Chart is for use with the following Viking Trim Sets

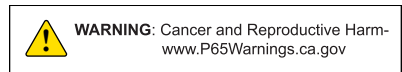
Valve Size	Galvanized Trim Part No.	Brass Trim Part No.
6" (DN150)	14776-1	14776-2

This trim is for use with the following Release Module Trim Kits

Release Type	Galvanized	Brass
Electric	<a href="#">10830</a>	<a href="#">10832</a>

**Note:** Nipple lengths for brass trim may vary from those shown on this Trim Chart.

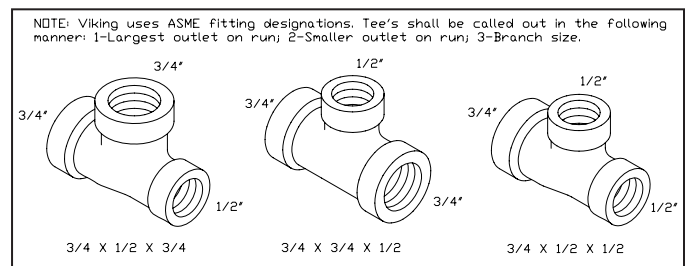
Note: When viewing this data page online, [blue](#) text represents hyperlinks and will open the appropriate data page when clicked.



### Notes: For use with Trim Charts on Page 2

#### General Notes:

- Valve must be trimmed as shown. Any deviation from trim size or arrangement may affect the proper operation of the valve.
- Dimensions in parentheses are millimeters.
- Viking uses ANSI tee designs (large outlet on run, small outlet on run, side outlet) in all trim call-outs.



**Note 1:** Release System connection.

**Note 2:** Alarm Connections: Connect alarm line piping to 3/4" (20 mm) NPT outlet. When using a Water Motor Alarm, a strainer is required. 1/2" (15 mm) NPT outlet is for electric Alarm Pressure Switch.

**Note 3:** Optional non-interruptible connection for Alarm Pressure Switch to activate electric alarm panel. Note: After the Deluge Valve trips, this location cannot be shut off. Alarms may operate until the outlet chamber of the deluge valve is de-pressurized below the set point of the Alarm Pressure Switch.

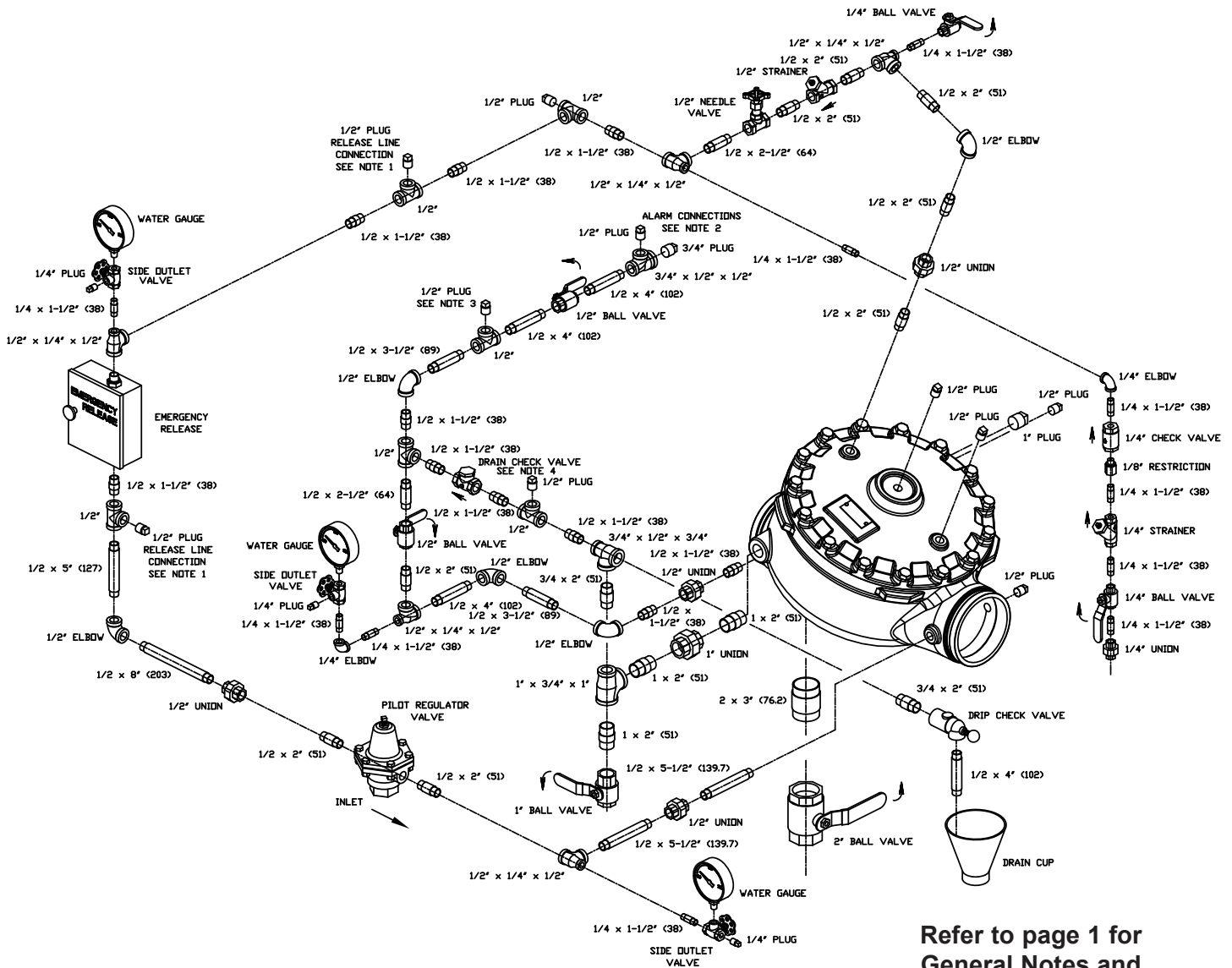
**Note 4:** Viking Drain Check Valve is manufactured with a 0.067" (1.7 mm) orifice to allow alarm line to drain. DO NOT substitute. Check label for proper orientation.



# TECHNICAL DATA

## PILOT REGULATING FLOW CONTROL HORIZONTAL TRIM 6" (DN150) MODEL J STRAIGHT THROUGH FLOW CONTROL VALVE

The Viking Corporation, 210 N Industrial Park Drive, Hastings MI 49058  
 Telephone: 269-945-9501 Technical Services: 877-384-5464 Fax: 269-818-1680 Email: techsvcs@vikingcorp.com  
 Visit the Viking website for the latest edition of this technical data page: www.vikinggroupinc.com



Refer to page 1 for  
 General Notes and  
 Notes 1 through 4.

Order Flow Control Valve  
 Separately

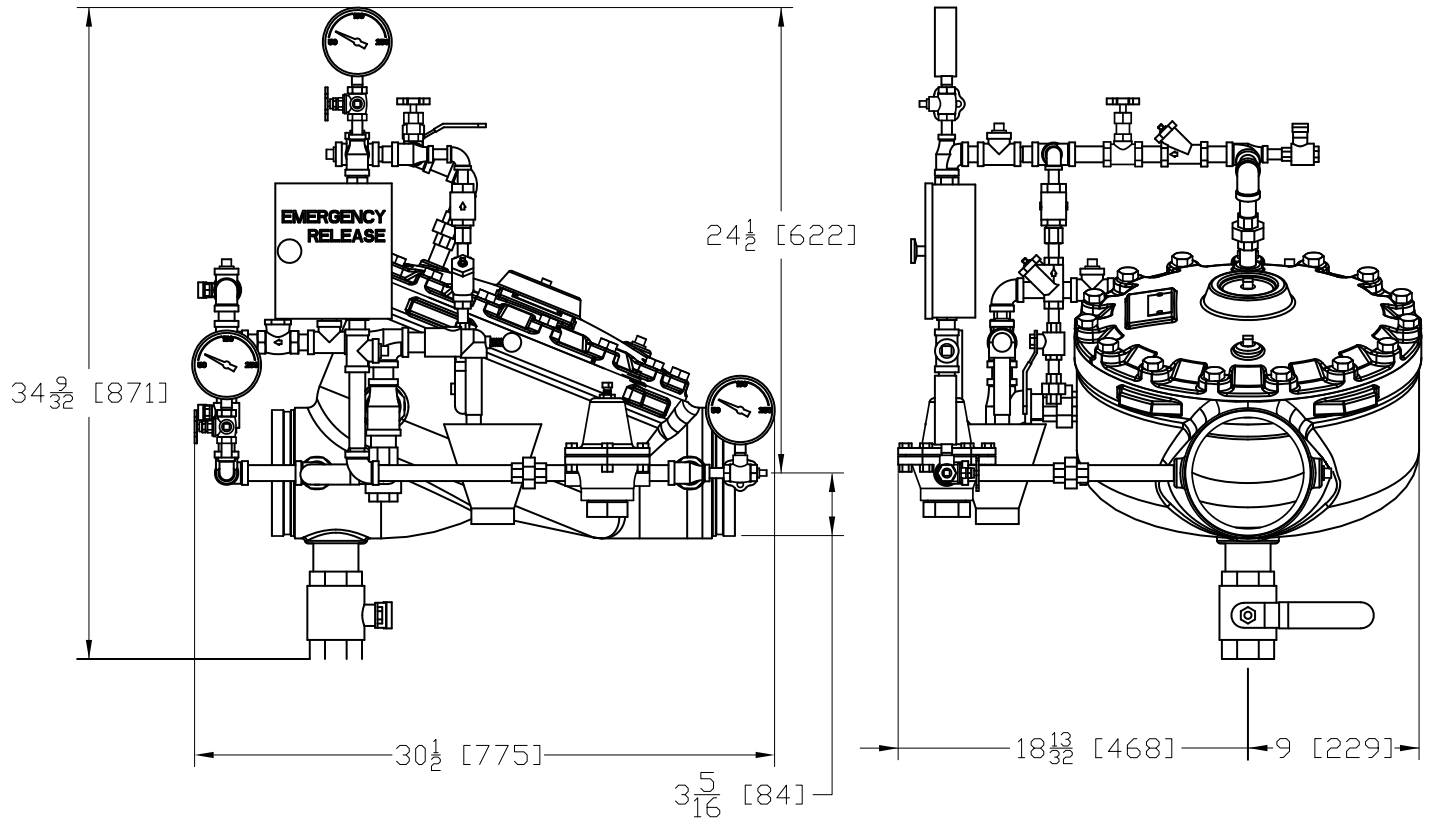
**Figure 2**  
**6" Pilot Regulating Horizontal Trim for Model J Flow Control Valve**



**TECHNICAL DATA**

**PILOT REGULATING FLOW CONTROL HORIZONTAL TRIM  
6" (DN150) MODEL J STRAIGHT THROUGH  
FLOW CONTROL VALVE**

The Viking Corporation, 210 N Industrial Park Drive, Hastings MI 49058  
 Telephone: 269-945-9501 Technical Services: 877-384-5464 Fax: 269-818-1680 Email: techsvcs@vikingcorp.com  
 Visit the Viking website for the latest edition of this technical data page: www.vikinggroupinc.com



**Figure 3 - Installation Dimensions**