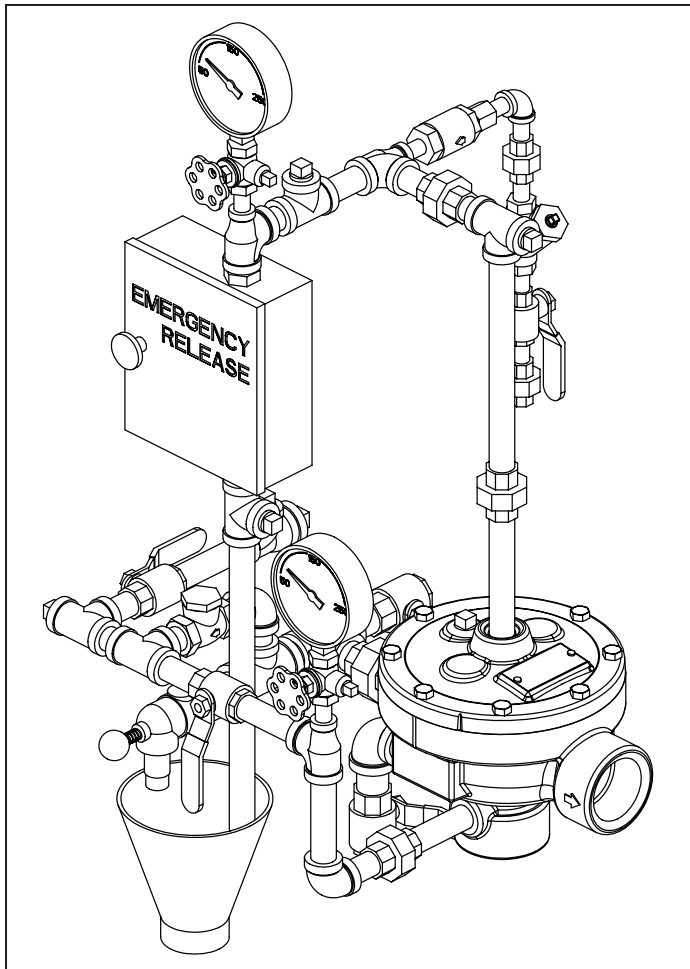


	<h1 style="margin: 0;">TECHNICAL DATA</h1>	<p><b>FLOW CONTROL TRIM</b>                  2" (DN50) MODEL H                  ANGLE STYLE VALVE</p>
---	--	---

The Viking Corporation, 210 N Industrial Park Drive, Hastings MI 49058  
 Telephone: 269-945-9501 Technical Services 877-384-5464 Fax: 269-945-4495 Email: techsvcs@vikingcorp.com



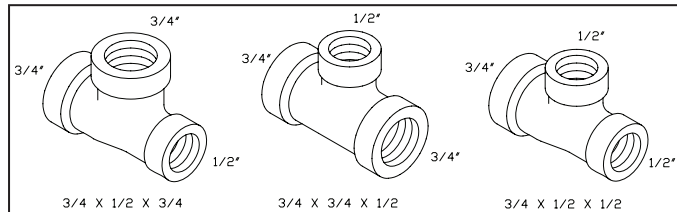
This Trim Chart is for use with the following Viking Trim Sets		
Valve Size	Galvanized* Trim Part No.	Brass** Trim Part No.
2" (DN50)	14703-1	14703-2
This Trim is for use with the following Release Module Trim Kits		
Release Type	Galvanized*	Brass**
Electric	10830	10832
Pneumatic	10809	10811
Electric/Pneumatic	12661-1	12661-2
Pneumatic/Pneumatic	12662-1	12662-2
<p>* Standard Trim sets for Model H Flow Control Valves consist of galvanized nipples and fittings.                      **Refer to Technical Data describing the Halar® Coated Flow Control Valve and the Viking Foam System Engineering Design Data book for applications where brass trim is recommended.  <b>Note:</b> Nipple lengths for brass trim may vary from those shown on this Trim Chart.</p>		

**Notes: For use with Trim Chart on Page 511 b**

**Note:** When viewing this data page online, **blue text** represents hyper links and will open the appropriate data page when clicked.

**General Notes:**

- Valve must be trimmed as shown. Any deviation from trim size or arrangement may affect the proper operation of the valve.
- Dimensions in parentheses are millimeter.
- Viking uses ANSI tee designs in all trim call-outs.



**Note 1:** Release System connection. Viking Deluge and Flow Control Valves are compatible with hydraulic, pneumatic, and electric release systems. A Pneumatic Actuator is required on all Viking Deluge Valves and Flow Control Valves equipped with Pneumatic Release Systems.

**Note 2:** Alarm Connections: Connect alarm line piping to 3/4" (20 mm) NPT outlet. When using a Water Motor Alarm, a strainer is required. 1/2" (15 mm) NPT outlet is for electric Alarm Pressure Switch.

**Note 3:** Optional non-interruptable connection for Alarm Pressure Switch to activate electric alarm panel. Note: After the Flow Control Valve trips, this location cannot be shut off. Alarms may operate until the outlet chamber of the Flow Control Valve is de-pressurized below the set point of the Alarm Pressure Switch.





# TECHNICAL DATA

## FLOW CONTROL TRIM

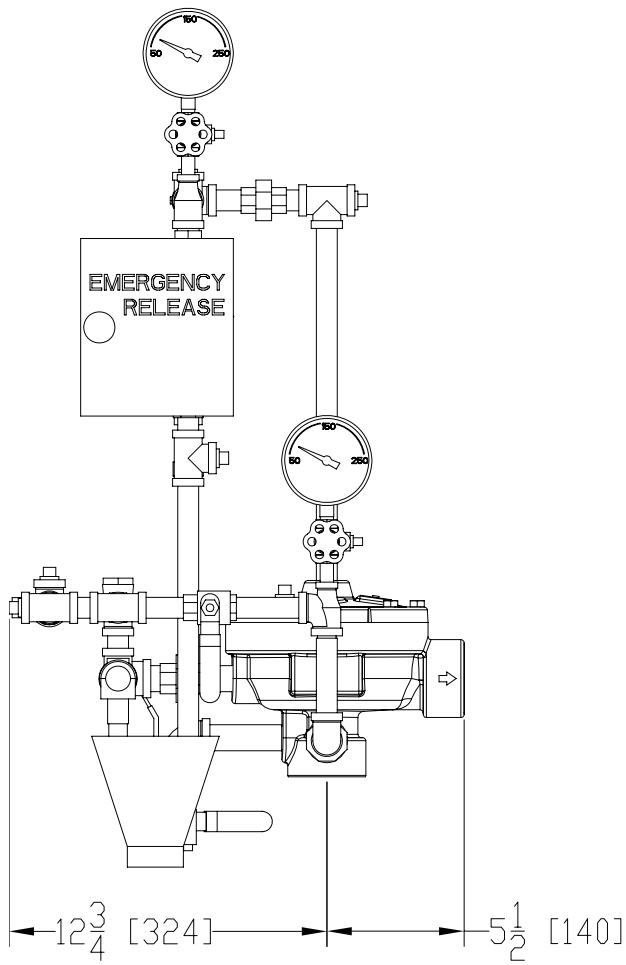
2" (DN50) MODEL H

ANGLE STYLE VALVE

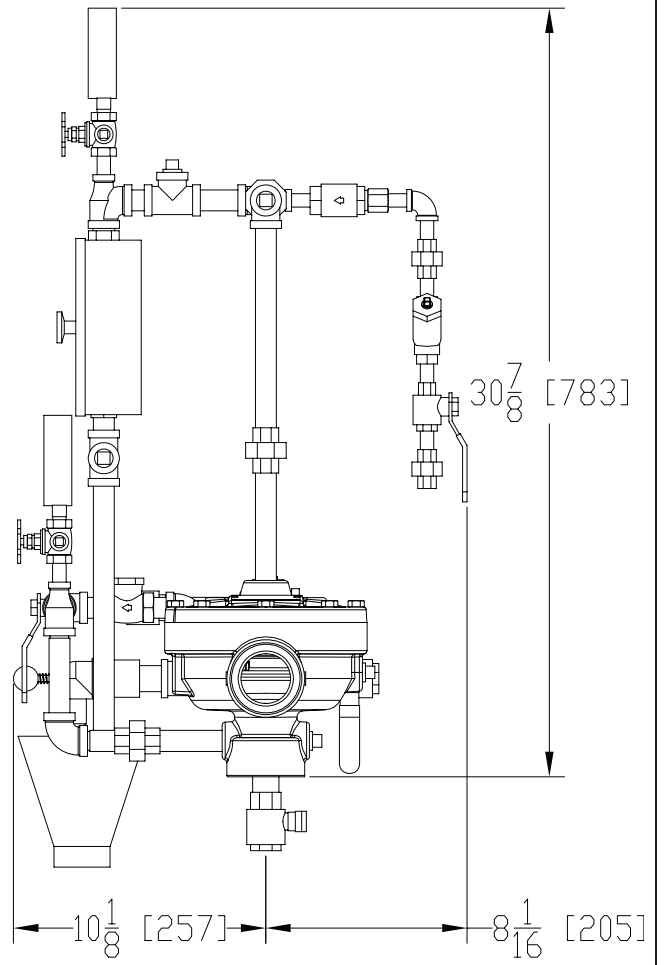
The Viking Corporation, 210 N Industrial Park Drive, Hastings MI 49058

Telephone: 269-945-9501 Technical Services 877-384-5464 Fax: 269-945-4495 Email: techsvcs@vikingcorp.com

### Installation Dimensions



Front View



Side View

THIS PAGE  
INTENTIONALLY  
LEFT BLANK