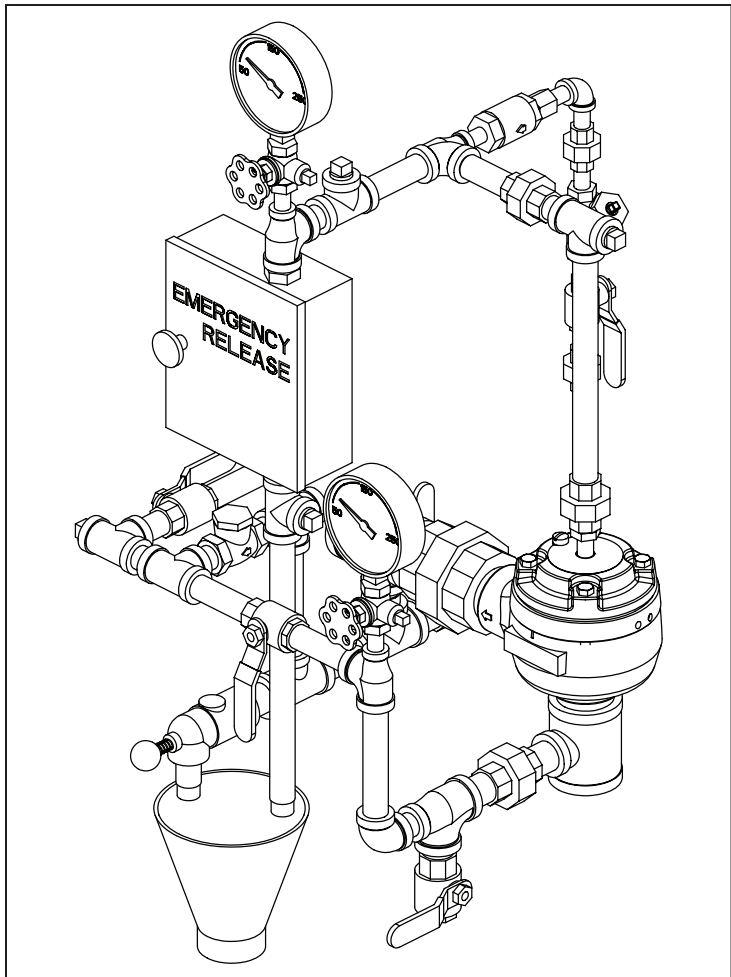




# TECHNICAL DATA

**FLOW CONTROL TRIM**  
**1-1/2" (DN40) MODEL H**  
**ANGLE STYLE VALVE**

The Viking Corporation, 210 N Industrial Park Drive, Hastings MI 49058  
 Telephone: 269-945-9501 Technical Services 877-384-5464 Fax: 269-945-4495 Email: techsvcs@vikingcorp.com



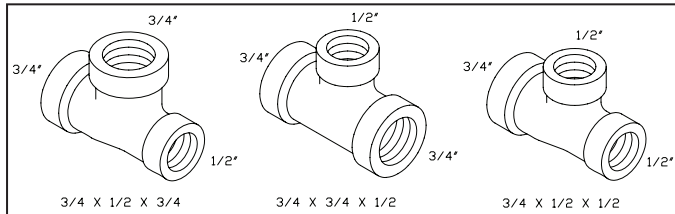
This Trim Chart is for use with the following Viking Trim Sets		
Valve Size	Galvanized* Trim Part No.	Brass** Trim Part No.
1-1/2" (DN40)	14702-1	14702-2
This Trim is for use with the following Release Module Trim Kits		
Release Type	Galvanized*	Brass**
Electric	<a href="#">10830</a>	<a href="#">10832</a>
Pneumatic	<a href="#">10809</a>	<a href="#">10811</a>
Electric/Pneumatic	<a href="#">12661-1</a>	<a href="#">12661-2</a>
Pneumatic/Pneumatic	<a href="#">12662-1</a>	<a href="#">12662-2</a>
<p>* Standard Trim sets for Model H Flow Control Valves consist of galvanized nipples and fittings.                      **Refer to Technical Data describing the Halar® Coated Flow Control Valve and the Viking Foam System Engineering Design Data book for applications where brass trim is recommended.  <b>Note:</b> Nipple lengths for brass trim may vary from those shown on this Trim Chart.</p>		

**Notes: For use with Trim Chart on Page 510 b**

**Note:** When viewing this data page online, [blue text](#) represents hyper links and will open the appropriate data page when clicked.

**General Notes:**

- Valve must be trimmed as shown. Any deviation from trim size or arrangement may affect the proper operation of the valve.
- Dimensions in parentheses are millimeter.
- Viking uses ANSI tee designations in all trim call-outs.



**Note 1:** Release System connection. Viking Deluge and Flow Control Valves are compatible with hydraulic, pneumatic, and electric release systems. A Pneumatic Actuator is required on all Viking Deluge Valves and Flow Control Valves equipped with Pneumatic Release Systems.

**Note 2:** Alarm Connections: Connect alarm line piping to 3/4" (20 mm) NPT outlet. When using a Water Motor Alarm, a strainer is required. 1/2" (15 mm) NPT outlet is for electric Alarm Pressure Switch.

**Note 3:** Optional non-interruptable connection for Alarm Pressure Switch to activate electric alarm panel. Note: After the Flow Control Valve trips, this location cannot be shut off. Alarms may operate until the outlet chamber of the Flow Control Valve is de-pressurized below the set point of the Alarm Pressure Switch.



# TECHNICAL DATA

## FLOW CONTROL TRIM

1-1/2" (DN40) MODEL H

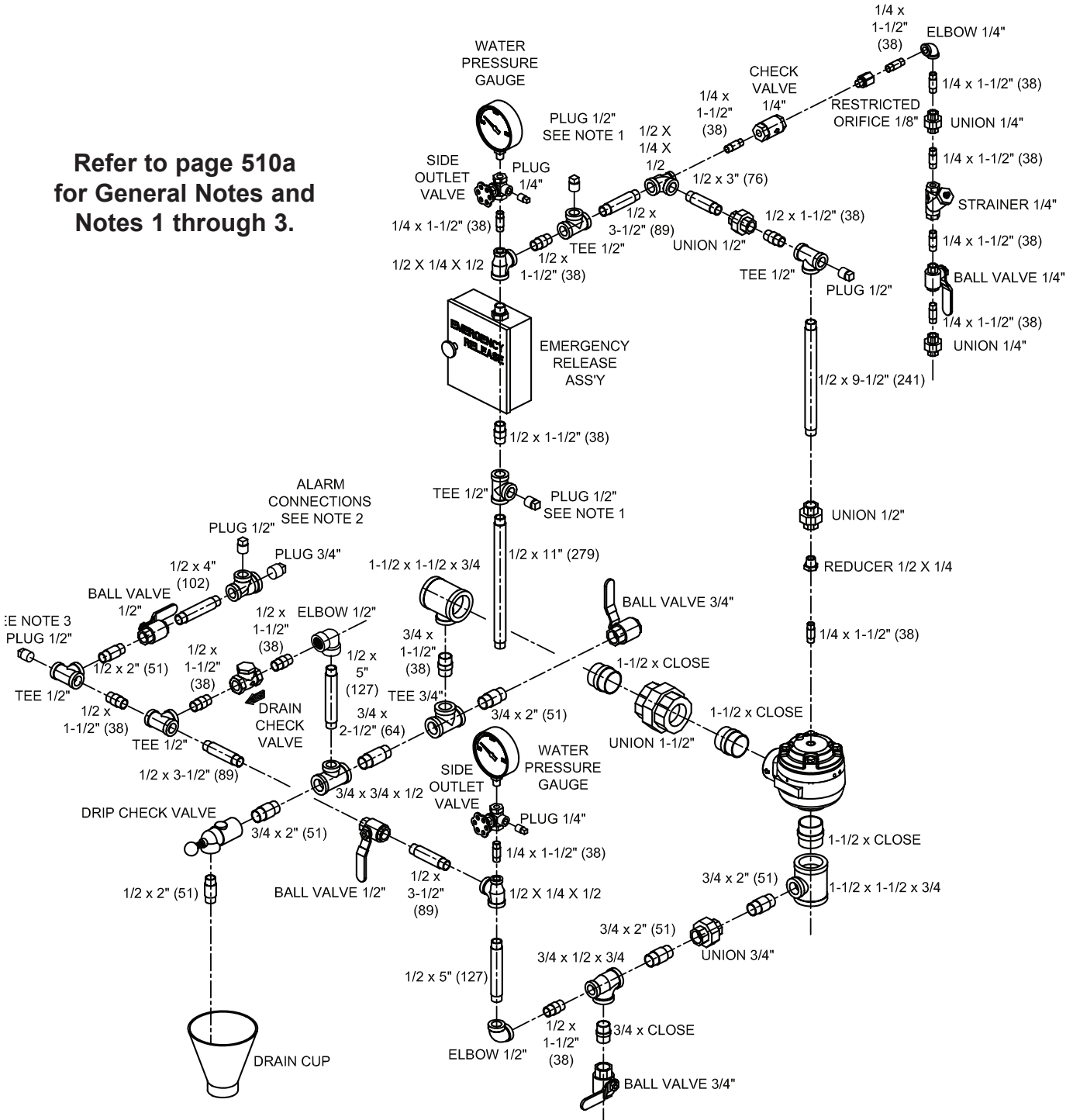
ANGLE STYLE VALVE

The Viking Corporation, 210 N Industrial Park Drive, Hastings MI 49058

Telephone: 269-945-9501 Technical Services 877-384-5464 Fax: 269-945-4495 Email: techsvcs@vikingcorp.com

Available since 2008

Refer to page 510a for General Notes and Notes 1 through 3.



Order Flow Control Valve separately



# TECHNICAL DATA

## FLOW CONTROL TRIM

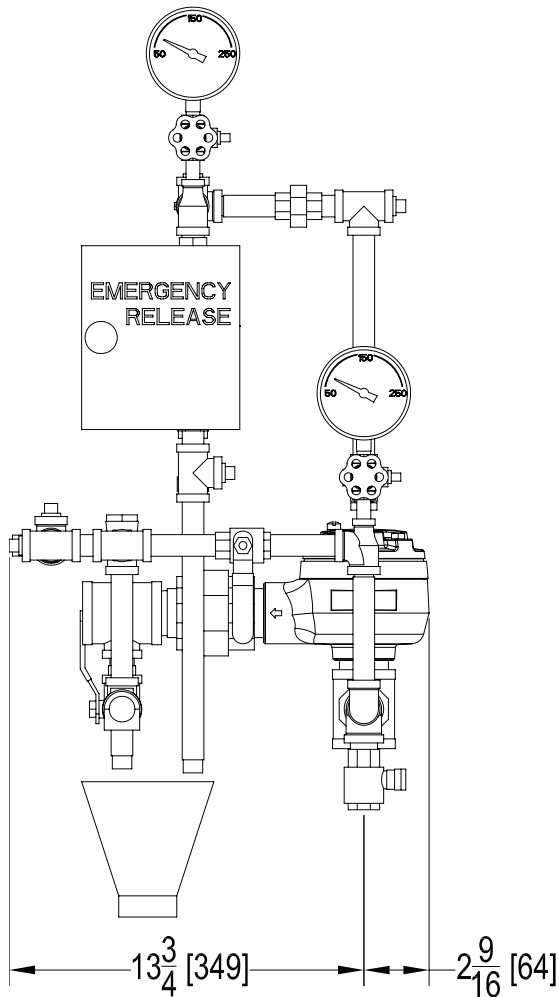
1-1/2" (DN40) MODEL H

ANGLE STYLE VALVE

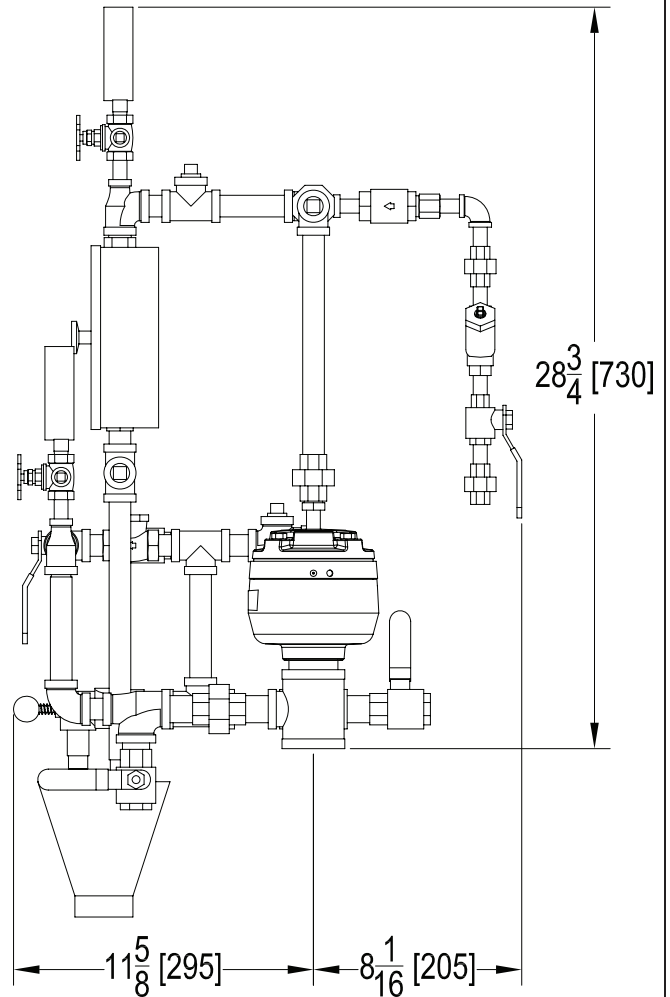
The Viking Corporation, 210 N Industrial Park Drive, Hastings MI 49058

Telephone: 269-945-9501 Technical Services 877-384-5464 Fax: 269-945-4495 Email: techsvcs@vikingcorp.com

### Installation Dimensions



Front View



Side View

**THIS PAGE  
INTENTIONALLY  
LEFT BLANK**