




# TECHNICAL DATA

## MODEL F1 DRY VALVE PRETRIMMED RISER (PTR)

The Viking Corporation, 210 N Industrial Park Drive, Hastings MI 49058  
 Telephone: 269-945-9501 Technical Services: 877-384-5464 Fax: 269-818-1680 Email: techsvcs@vikingcorp.com  
 Visit the Viking website for the latest edition of this technical data page.



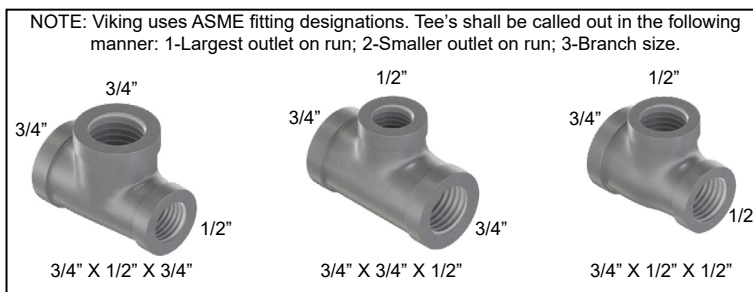
Model F Dry Valve with Trim	
Valve Size	Part Number
4"	07627PTR
6"	08491PTR
Standard Trim Sets include galvanized nipples and fittings.	

 **WARNING:** Cancer and Reproductive Harm-  
[www.P65Warnings.ca.gov](http://www.P65Warnings.ca.gov)

### Notes: For use with Trim Charts on Pages 2-3

#### General Notes:

- Valve must be trimmed as shown. Any deviation from trim size or arrangement may affect the proper operation of the valve.
- All pipe, 3/4" (20 mm) and smaller, shall be galvanized steel except when other materials are specified in the Technical Data for the system used.
- Viking uses ASME fitting designations. Tees shall be called out in the following order: 1 - Largest outlet on run; 2 - Smaller outlet on run; 3 - Branch size.



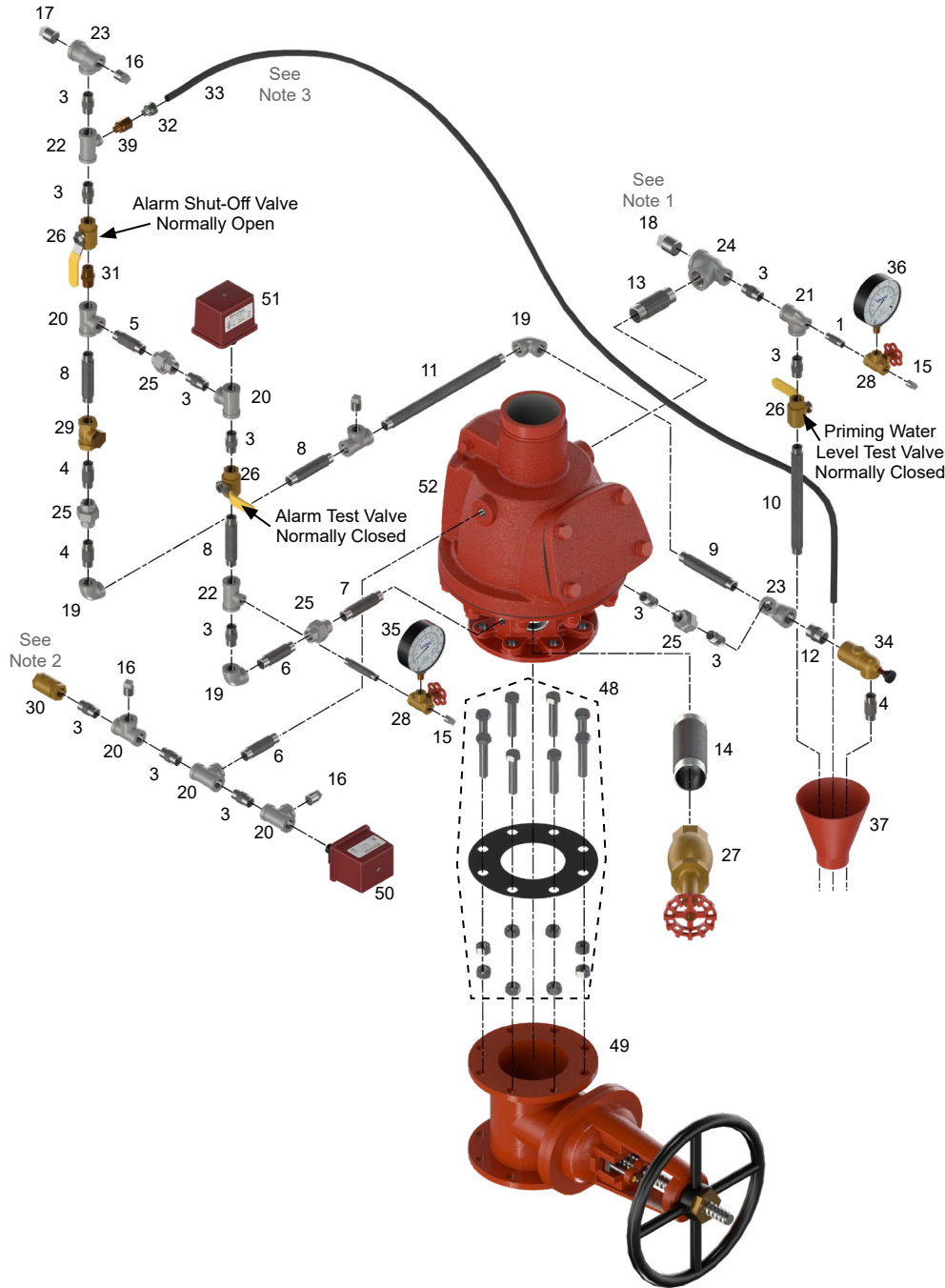
- Note 1:** 1" (25 mm) NPT connection for sprinkler.
- Note 2:** Locate listed Air Maintenance Device (order separately) as close to this connection as possible. Refer to installation standards. Recommended location for connection of optional Air Maintenance Compressor.
- Note 3:** Tube must discharge TO OPEN DRAIN. DO NOT crimp or plug tube. Secure tube to 1/2" x 9" nipple below priming water level test valve with cable tie included in trim kit.



# TECHNICAL DATA

## MODEL F1 DRY VALVE PRETRIMMED RISER (PTR)

The Viking Corporation, 210 N Industrial Park Drive, Hastings MI 49058  
 Telephone: 269-945-9501 Technical Services: 877-384-5464 Fax: 269-818-1680 Email: techsvcs@vikingcorp.com  
 Visit the Viking website for the latest edition of this technical data page.



Ref.	Description
1	1/4" x 1-1/2" (38 mm)
2	1/4" x 3" (76 mm)
3	1/2" x 1-1/2" (38 mm)
4	1/2" x 2" (51 mm)
5	1/2" x 2-1/2" (64 mm)
6	1/2" x 3" (76 mm)
7	1/2" x 3-1/2" (89 mm)
8	1/2" x 4" (102 mm)
9	1/2" x 5" (127 mm)
10	1/2" x 9" (229 mm)
11	1/2" x 11-1/2" (292 mm)
12	3/4" x CL
13	1" x 3-1/2" (89 mm)
14	2" x 6" (152 mm)
15	1/4" Plug
16	1/2" Plug
17	3/4" Plug
18	1" Plug
19	1/2" Elbow
20	1/2" x 1/2" x 1/2" Tee
21	1/2" x 1/4" x 1/2" Tee
22	1/2 x 1/2" x 1/4" Tee
23	3/4" x 1/2" x 1/2" Tee
24	1" x 1/2" x 1" Tee
25	1/2" Union
26	1/2" Ball Valve
27	2" Angle Valve
28	Side Outlet Valve
29	Check Valve 1/2"
30	Spring Loaded Check Valve 1/2"
31	7/32" Restricted Orifice
32	3/8" Connection
33	3/8" Polyethylene Tube 42"
34	Drip Check
35	Water Gauge
36	Air Gauge
37	Drain Cup
39	1/16" Restricted Orifice
48	Gasket kit with nuts and bolts
49	OS&Y Valve
50	Pressure Switch
51	Alarm Switch
52	F2 Dry Pipe Valve 4"

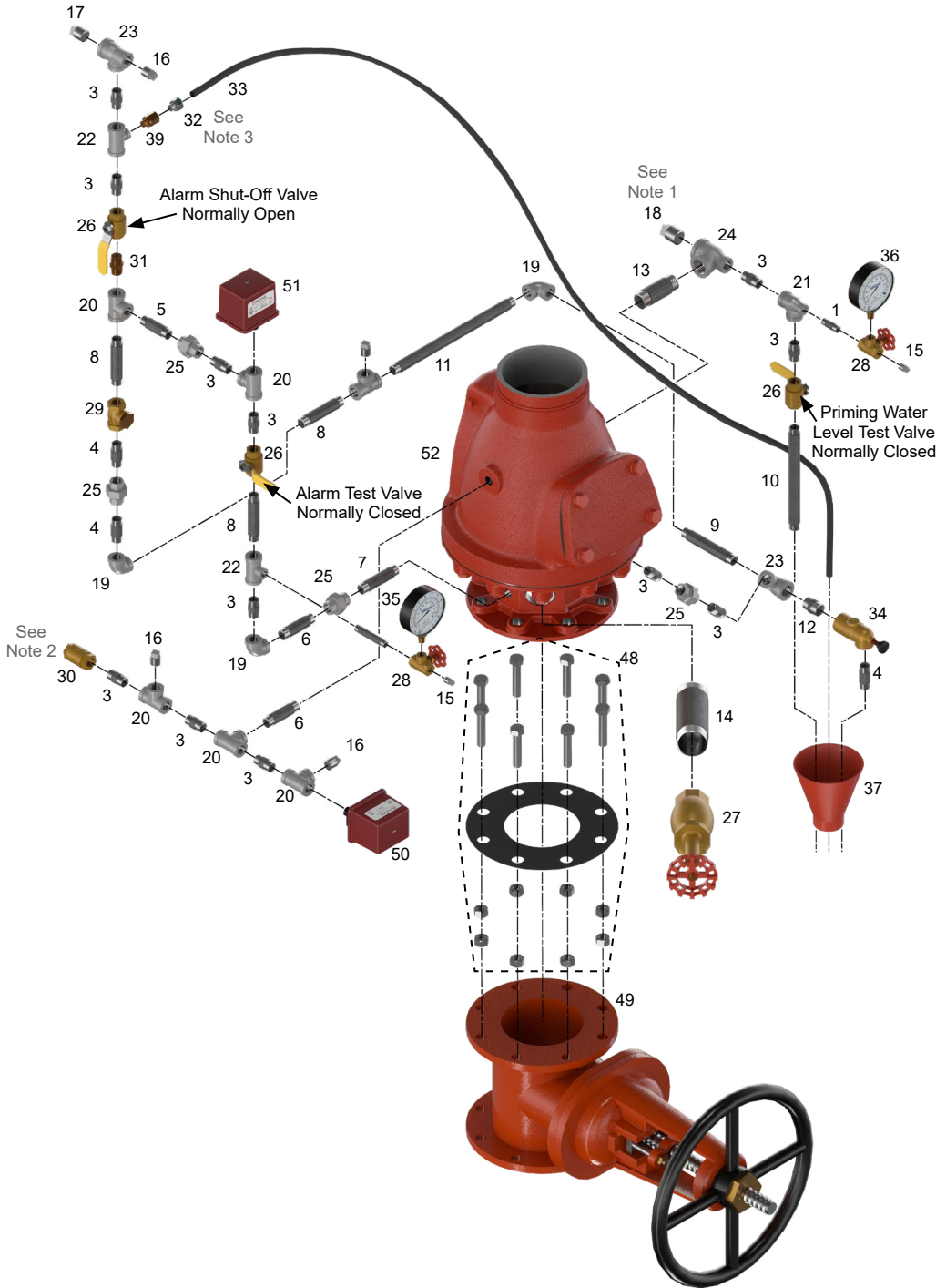
Figure 2: 4" Model F1 Dry Valve Trim Chart (PTR)



# TECHNICAL DATA

## MODEL F1 DRY VALVE PRETRIMMED RISER (PTR)

The Viking Corporation, 210 N Industrial Park Drive, Hastings MI 49058  
 Telephone: 269-945-9501 Technical Services: 877-384-5464 Fax: 269-818-1680 Email: techsvcs@vikingcorp.com  
 Visit the Viking website for the latest edition of this technical data page.



Ref.	Description
1	1/4" x 1-1/2" (38 mm)
2	1/4" x 3" (76 mm)
3	1/2" x 1-1/2" (38 mm)
4	1/2" x 2" (51 mm)
5	1/2" x 2-1/2" (64 mm)
6	1/2" x 3" (76 mm)
7	1/2" x 3-1/2" (89 mm)
8	1/2" x 4" (102 mm)
9	1/2" x 5" (127 mm)
10	1/2" x 9" (229 mm)
11	1/2" x 12" (292 mm)
12	3/4" x CL
13	1" x 3-1/2" (89 mm)
14	2" x 6" (152 mm)
15	1/4" Plug
16	1/2" Plug
17	3/4" Plug
18	1" Plug
19	1/2" Elbow
20	1/2" x 1/2" x 1/2" Tee
21	1/2" x 1/4" x 1/2" Tee
22	1/2 x 1/2" x 1/4" Tee
23	3/4" x 1/2" x 1/2" Tee
24	1" x 1/2" x 1" Tee
25	1/2" Union
26	1/2" Ball Valve
27	2" Angle Valve
28	Side Outlet Valve
29	Check Valve 1/2"
30	Spring Loaded Check Valve 1/2"
31	7/32" Restricted Orifice
32	3/8" Connection
33	3/8" Polyethylene Tube 42"
34	Drip Check
35	Water Gauge
36	Air Gauge
37	Drain Cup
39	1/16" Restricted Orifice
48	Gasket kit with nuts and bolts
49	OS&Y Valve
50	Pressure Switch
51	Alarm Switch
52	F2 Dry Pipe Valve 6"

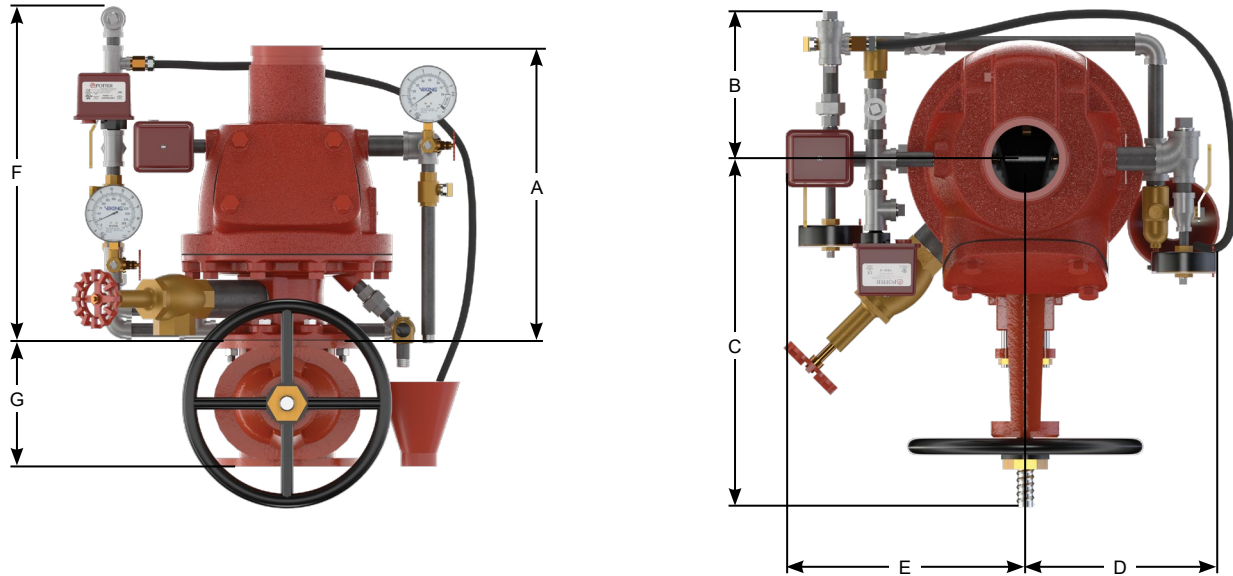
Figure 3: 6" Model F1 Dry Valve Trim Chart (PTR)



# TECHNICAL DATA

## MODEL F1 DRY VALVE PRETRIMMED RISER (PTR)

The Viking Corporation, 210 N Industrial Park Drive, Hastings MI 49058  
 Telephone: 269-945-9501 Technical Services: 877-384-5464 Fax: 269-818-1680 Email: techsvcs@vikingcorp.com  
 Visit the Viking website for the latest edition of this technical data page.



Valve Size	A	B	C (Maximum)	C (Minimum)	D	E	F	G
4"	18-7/16" (469)	7-7/8" (200)	22-1/2" (573)	18-1/2" (471)	10-1/2" (267)	13-5/16" (338)	20-15/16" (532)	4-13/16" (123)
6"	19-1/4" (488)	7-7/8" (200)	29-3/4" (755)	23-5/8" (601)	10-15/16" (278)	13-5/16" (338)	20-9/16" (523)	6-1/2" (166)

**Figure 4 - Dry Valve with Trim with No Accelerator**