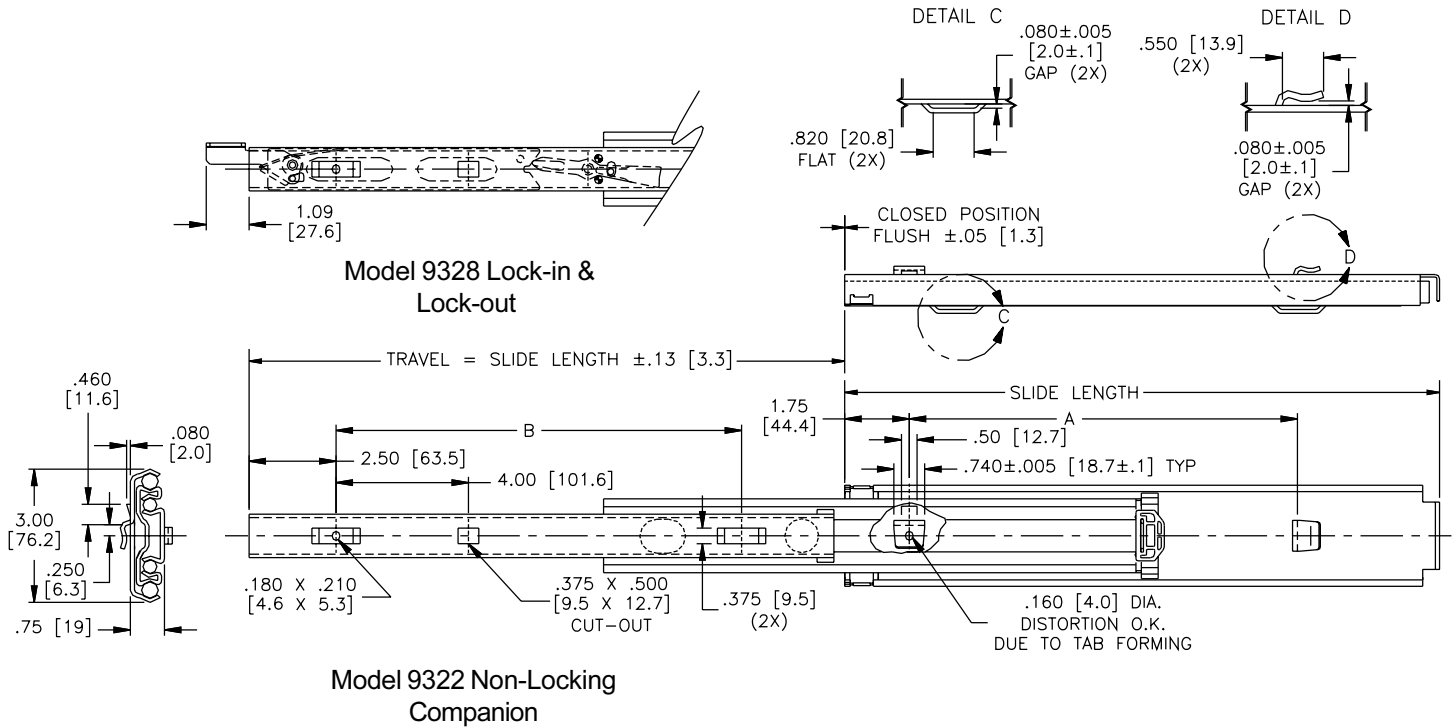




APPLICATIONS: Designed for use in variety of heavy-duty metal applications for truck body and emergency vehicles.
This product is covered by U.S. and various foreign patents issued and/or pending.

MODEL 9328
 Lock-in & Lock-out with Front Release
MODEL 9322
 Non-Locking Companion

Extra Heavy Duty
 Full Extension Drawer Slide
 Up to 300 lbs [136 kg] Load Rating



Finish Bright electro-zinc (C) plating
Length Even lengths 10" -36" and 40", 42", 48" & 60"
Travel Full extension
Height 3.00" [76.2mm]
Load 300 lbs [136.4 kg.]
Side Space .75" (+.030, -.000) [19mm (+.79, -.00)]

Mounting Side; bayonet and pocket
Hardware Optional (provided by customer)
 Drawer: #8 pan head self-tapping screw
 Cabinet: #10 pan head self-tapping screw
Features Silenced in closed position; lock-in & lock-out with front release (9328 series only)

Part Number	Slide Length	Travel	A	B	Part Number	Slide Length	Travel	A	B	Part Number	Slide Length	Travel	A	B
9322-10	10.00	10.00	5.50	5.50	9322-22	22.00	22.00	15.50	12.50	9322-34	34.00	34.00	25.50	22.50
9328-10	[254.0]	[254.0]	[139.7]	[139.7]	9328-22	[558.8]	[558.8]	[393.7]	[317.5]	9328-34	[863.6]	[863.6]	[647.7]	[571.5]
9322-12	12.00	12.00	7.50	6.0	9322-24	24.00	24.00	15.50	12.50	9322-36	36.00	36.00	30.50	27.50
9328-12	[304.8]	[304.8]	[190.5]	[152.4]	9328-24	[609.6]	[609.6]	[393.7]	[317.5]	9328-36	[914.4]	[914.4]	[774.7]	[698.5]
9322-14	14.00	14.00	9.50	8.00	9322-26	26.00	26.00	15.50	15.50	9322-40	40.00	40.00	30.50	27.50
9328-14	[355.6]	[355.6]	[241.3]	[203.2]	9328-26	[660.4]	[660.4]	[393.7]	[393.7]	9328-40	[1016.0]	[1016.0]	[774.7]	[698.5]
9322-16	16.00	16.00	12.50	10.00	9322-28	28.00	28.00	15.50	15.50	9322-42	42.00	42.00	30.50	27.50
9328-16	[406.4]	[406.4]	[317.5]	[254.0]	9328-28	[711.2]	[711.2]	[393.7]	[393.7]	9328-42	[1066.8]	[1066.8]	[774.7]	[698.5]
9322-18	18.00	18.00	12.50	10.50	9322-30	30.00	30.00	18.50	17.50	9322-48	48.00	48.00	30.50	27.50
9328-18	[457.2]	[457.2]	[317.5]	[266.7]	9328-30	[762.0]	[762.0]	[469.9]	[444.5]	9328-48	[1219.2]	[1219.2]	[774.7]	[698.5]
9322-20	20.00	20.00	15.50	10.50	9322-32	32.00	32.00	20.50	17.50	9322-60	60.00	60.00	40.50	37.50
9328-20	[508.0]	[508.0]	[393.7]	[266.7]	9328-32	[812.8]	[812.8]	[520.7]	[444.5]	9328-60	[1524.0]	[1524.0]	[1028.7]	[952.5]

Load rating based on an 18" slide in a 32" wide drawer cycled 10,000 times.

Cabinet Cut-Out Recommendation

See figure 1 for hat section cut-out details.

Same cut-out details will apply to locking or non-locking slide.

Front and rear hat sections are identical.

The .200 dia. round hole is used for optional #10 fixing screw. See installation details for proper use of this feature.

Attach the hat sections to the cabinet sidewall using the pitch pattern recommended in figure 2.

For "A" dimensions, see table on front page.

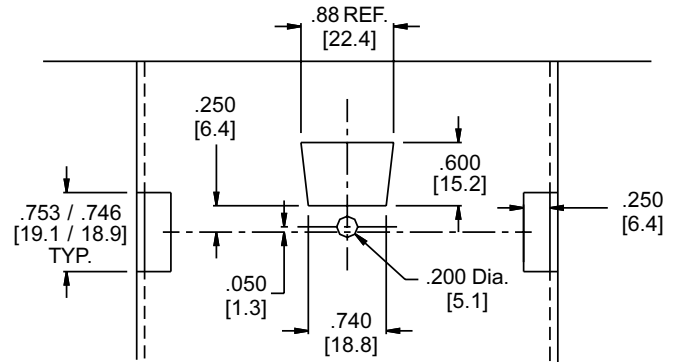
The vertical cut-out at the front of rear hat section accepts the rear cabinet member tab (see figure 3).

NOTE: Minimum recommended material thickness for hat section is .060" [1.52mm] or 16 gauge.

Mounting Slide to Cabinet

1. Insert the cabinet member rear bayonet tab into the rear hat section cut-out (see figure 3).
2. Lower the slide until the front bayonet tab engages the front cut-out.
3. Insert the front tab into the trapezoidal cut-out. Push firmly downward until the tab snaps into place and the retention lug is engaged (see figure 3).
4. The retention lug prevents the cabinet member from lifting and disengaging from the cabinet.
5. When desired, an optional #10 self-tapping screw (customer provided) can be used to fix the slide firmly in the cabinet. Run the screw from the hat section hole into the front bayonet tab.
6. Repeat procedure on opposite side of cabinet for the companion slide.
7. The companion slide can be a locking or non-locking slide. Same installation procedure applies.

Figure 1



Cabinet Cut-Out Recommendation

Figure 2

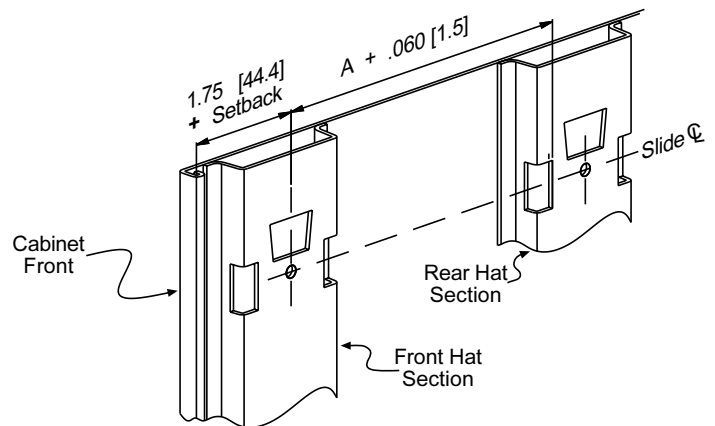
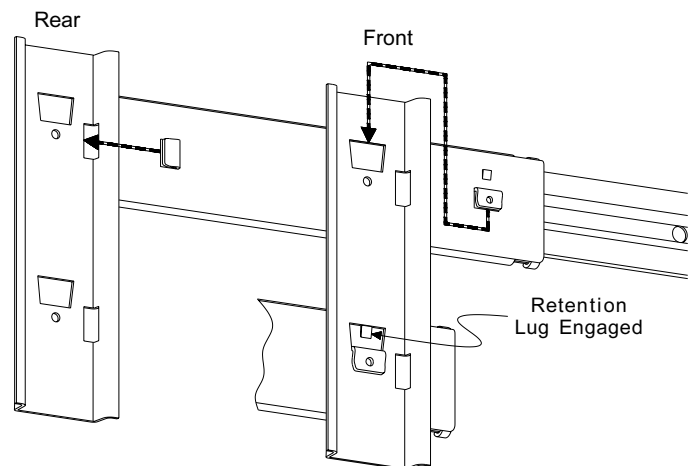


Figure 3



Same installation applied to companion slide

Drawer Cut-Out Recommendation

See figure 4 for drawer cut-out details.

Same cut-out details will apply for locking or non-locking slide.

The .140 dia. round hole is used for optional #8 fixing screw. See installation details for proper use of this feature.

For "B" dimension (figure 5) see table on front page.

For optimum slide performance, it is recommended that the slide centerline be located at the centerline of the drawer side or slightly toward the plane of the drawer pull.

Cut-out recommendation is based on 14 gauge material.

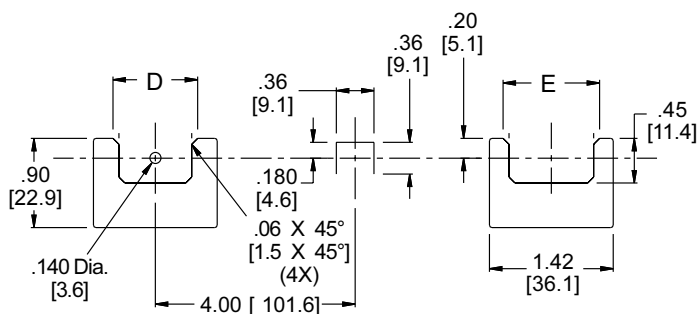
If a thinner material is used, adjustment to the cut-outs must be made to ensure a proper fit. Refer to the table below for the recommended modifications.

Material Gauge	Material Thickness	"D"	"E"
14	.075 [1.90]	.855 [21.72]	.815 [20.70]
16	.060 [1.52]	.865 [21.97]	.825 [20.96]

Mounting Slide to Drawer

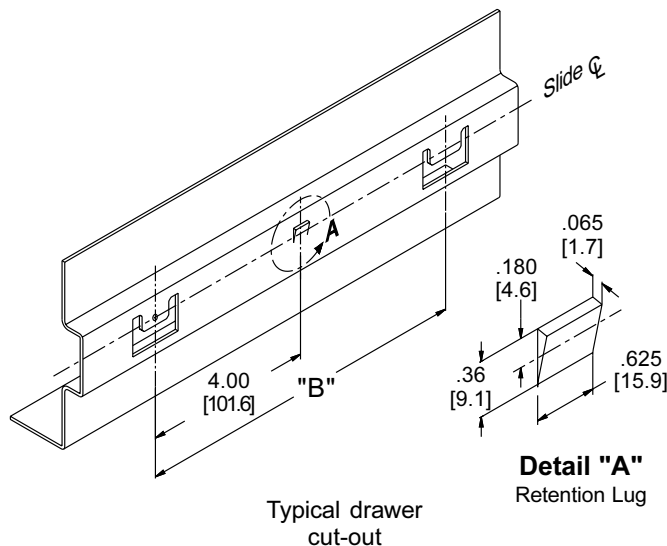
1. Using recommended placement of drawer bayonets (figure 5), extend both right and left hand slide drawer members. See Figure 6.
2. Position rear drawer tabs into both rear slide pockets. Guide front tabs into front pockets and push firmly into place making sure retention lug snaps into cut-out on slide drawer member. See Figure 6.
3. The drawer retention lug will adequately protect the drawer from lifting and disengaging from the slide.
4. When desired, an optional #8 self-tapping screw (customer provided) can be used through the front mounting pocket to fix the drawer firmly in place.

Figure 4



Drawer Cut-Out Recommendation

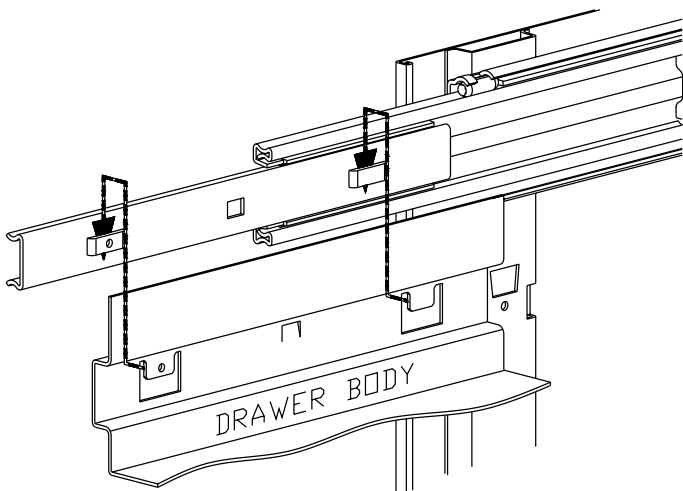
Figure 5



Typical drawer cut-out

Detail "A" Retention Lug

Figure 6



The locking slide is model 9328. The companion, non-locking slide is model 9322. Both slides are handed.

The locking slide can be used on either the right hand side, left hand side, or both sides of the unit.

After the length, specify "L" for left hand locking slide and "R" for right hand locking slide.

- Left Hand Locking System: 9328-XX-L and 9322-XX-R
- Right Hand Locking System: 9322-XX-L and 9328-XX-R
- Left & Right Hand Locking: 9328-XX-L and 9328-XX-R
- Left & Right Hand Non-Locking: 9322-XX-L and 9322-XX-R
(XX designates slide length)

Complete your slide order by specifying the following:

Model 9328 Locking Slide 100 Each C 9328 -16 -L

Total Required Slides _____

Slide Finish _____

Locking Model Number _____

Slide Length _____

Left Hand Slide _____

Model 9322 Non-Locking Slide 100 Each C 9322 -16 -R

Total Required Slides _____

Slide Finish _____

Companion Model Number _____

Slide Length _____

Right Hand Slide _____

Packaging

Slides are available in **bulk (P) packaging only**. Locking slides and non-locking companion slides are ordered and packaged separately.

Models 9328 and 9322:

- Lengths 10" - 20" 8 each per box
- Lengths 22" - 36" 4 each per box
- Lengths 40" - 60" 2 each per box

Specifications

Slide members and ball retainers: Cold rolled steel
Ball bearings: Carburized steel

Note: Specifications, materials, prices, terms, and delivery are subject to change without notice.



ACCURIDE INTERNATIONAL INC.

12311 Shoemaker Avenue
Santa Fe Springs, CA 90670

TEL (562) 903-0200

FAX (562) 903-0208

www accuride.com

Manufacturing, Engineering, and Sales

United States • Germany • Japan • Mexico • United Kingdom