

NEW

LED Spot Lamps
LED Flood Lamps
7" Round
12v & 24v

**Easily convert a 500 watt,
quartz headlamp into an LED**



FEATURES & BENEFITS

- Generates a long, narrow light pattern, illuminating objects in the distance
- Popular for use as auxiliary lighting in off-road, utility, construction applications and more
- Provides a robust, LED, solid-state solution to applications in need for additional lighting, resistant to damage from shock and vibration
- Offers a unique appearance, especially when installed as a retrofit for a standard single model 5 lamp head
- Mounting options: Use with all Tele-Lite telescopic poles, tripods and non-telescoping style mounts
- Provides a brighter, crisper and whiter light output closer to the color temperature of daylight, dramatically improving light projection distance and overall visibility
- Hard wired design and fully encapsulated electronics protect from damage caused by corrosive element
- Corrosion resistant e-coated, polished white aluminum housing provides stylish appearance while dissipating heat efficiently
- Voltage spike protected to 600v
- Impact resistant, non-yellowing, polycarbonate lens protects against damage caused by debris and other hazards

TECHNICAL SPECIFICATIONS

Material:

- Hard Coated Polycarbonate Lens w/ metalized reflector
- Aluminum housing with e-coated glossy finish
- Blunt Cut 18 Gauge Wire

Light Source:

- 10 Light Emitting Diodes (LEDs)
- 12v designed at 4.5 Amps, 12.8v
- 24v designed at 1.5 Amps, 28.0v
- 1,500 Lumens output on Spot Lamp
- 6,000 Lumens on Flood Lamp

Additional Specifications:

- Complies with military specifications for EMI
- Operating Temperature Range: -50C to 70C
- Overvoltage protected, withstands voltage spikes to 600v

PART NUMBERS

Part No.	Description	Ctn. Qty.
TL81711	LED Spot 12v	1
TL81811	LED Spot 24v	1
TL81712	LED Flood 12v	1
TL81812	LED Flood 24v	1

Are you refurbishing an old truck or customizing a new one? TELE-LITE poles are just the ticket. You can install your own light or order complete with one of ours. With so many options and mounting brackets available, TELE-LITE has the solution to your telescoping needs.

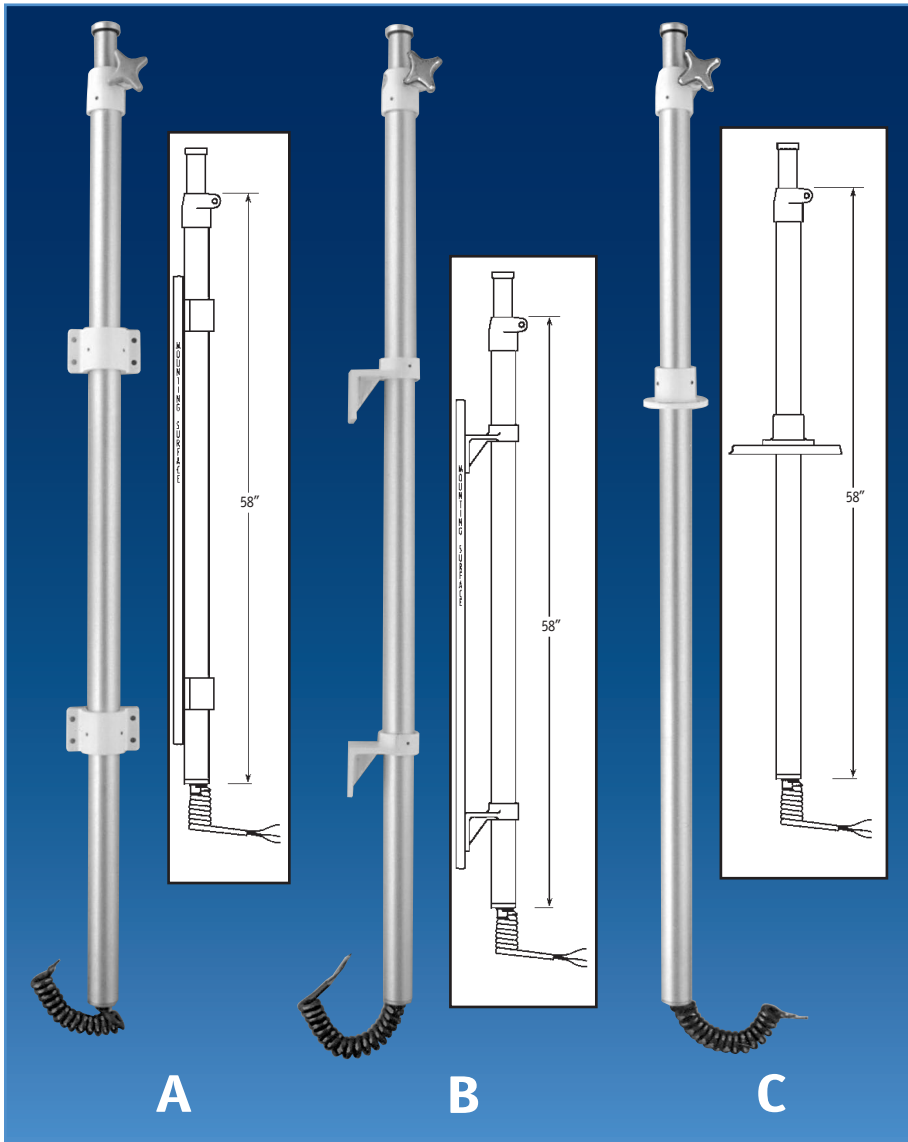
Manufactured to the highest standards, our TELE-LITE poles are heavy duty aluminum that is polished, etched and anodized.

Stainless steel is also available. Our standard extension length is 4' and custom lengths are no problem.

Other Applications:

- Rotating/Warning lights for Command Centers
- Antenna Masts for Thermal Imaging Cameras
- Weather Stations and Remote Cameras

TOP RAISE POLES



**FLUSH
MODEL A-4**

Flush Mounted
Top Raise Pole.
Mounting Bracket information is on facing page.

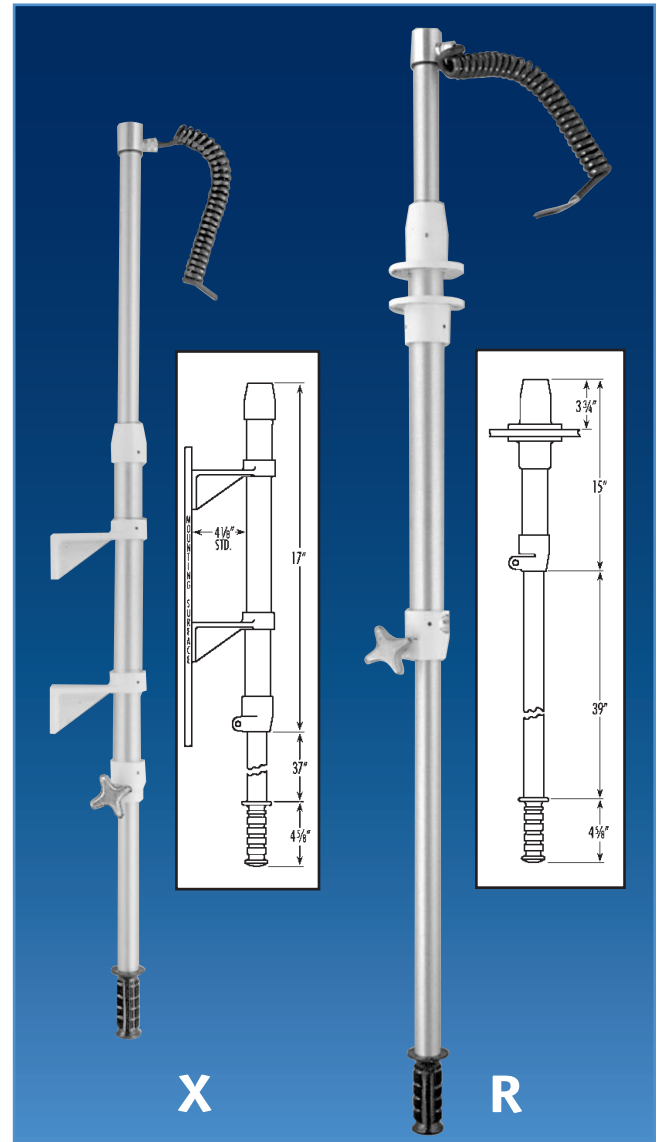
**OFFSET
MODEL B-4**

Offset Mounted Top
Raise Pole shown with
2" Brackets. Offsets
available are 1/2", 1", 2",
4" or 6".

**THRU DECK
MODEL C-4**

Top Raise Pole.
Thru Deck Mounting
bracket.

BOTTOM RAISE POLES



**OFFSET
MODEL X-4**

Bottom Raise Pole.
Offsets available are 1/2", 1",
2" 4" (shown), or 6". *Optional
cord exit thru grip at no
additional charge.*

**THRU ROOF
MODEL R-4**

Bottom Raise Pole with
Thru Roof "Sandwich"
Mounting Brackets.
*Optional cord exit thru
grip no additional charge.*

Call **1-800-538-0022**
for more information.