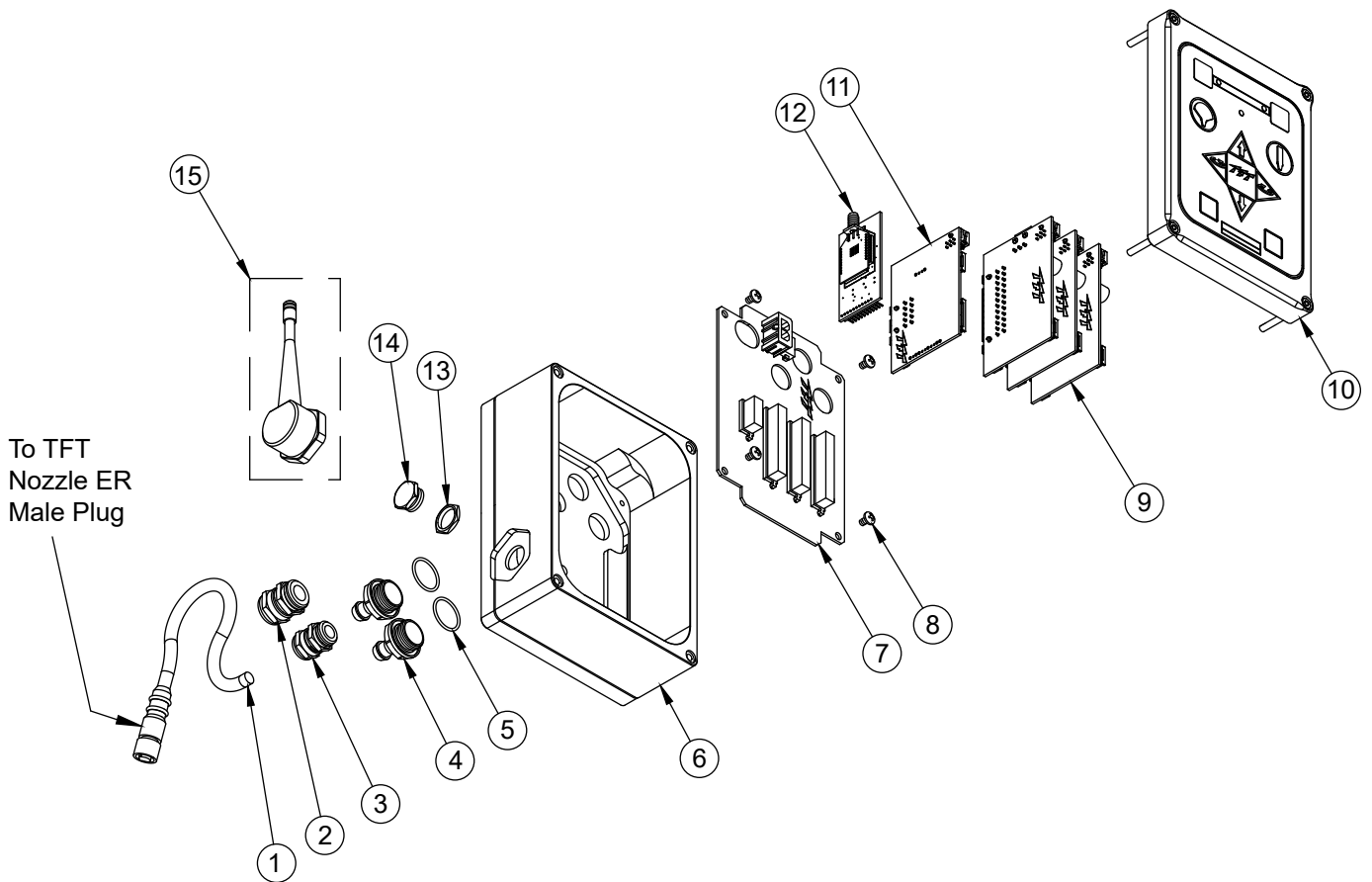


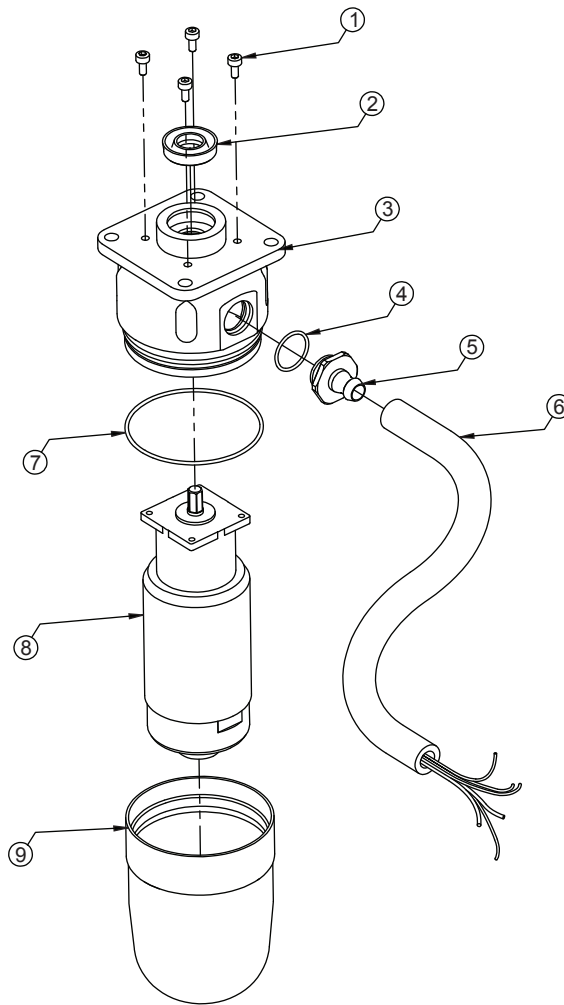
| ITEM # | DESCRIPTION | QTY | PART # |
|--------|---------------------------------|-----|-----------------|
| 1 | QUICK CONNECT | 1 | Y2440A |
| 2 | GASKET - 2.5" HOSE COUPLING | 1 | V3190 |
| 3 | 1/4-28 X 1/2 SOCKET SET SCREW | 1 | VT25-28SS500 |
| 4 | 3/16" TORLON BALL | 48 | V2120-TORLON |
| 5 | COUPLING 2.5"NH | 1 | M306 |
| 10 | 1/4-20 HEX NUT | 1 | VT25-20NT |
| 11 | 3/8 LOOP CLAMP | 1 | Y4655 |
| 12 | WIRE CLAMP BRACKET | 1 | Y2135 |
| 13 | 1/4-20 X 3/8 BUTTON HEAD SCREW | 1 | VT25-20BH375 |
| 14 | 5/16" SS BALL | 1 | VB.312 |
| 15 | BASE - QUICK CONNECT ALUMINUM | 1 | Y2411A |
| 16 | O-RING-233 | 2 | VO-233 |
| 20 | 1/4-28 X 1/2 BUTTON HEAD SCREW | 2 | VT25-28BH500 |
| 21 | LABEL BRACKET | 1 | Y2120 |
| 22 | NAME LABEL: TORNADO RC | 1 | Y2122 |
| 23 | 1/4-20 X 1/2 BUTTON HEAD SCREW | 4 | VT25-20BH500 |
| 24 | OVERRIDE KNOB | 2 | Y4165 |
| 25 | LOWER SECTION RC ALUMINUM | 1 | Y2110A |
| 26 | THREAD ADAPTER 2.5"NHM ALUMINUM | 1 | Y2320ANJ |
| | THREAD ADAPTER 1.5"NHM ALUMINUM | | Y2320ANF |
| | THREAD ADAPTER 2.5"BSM ALUMINUM | | Y2320ABJ |
| 27 | EXIT ELBOW ALUMINUM | 1 | Y2311A |
| 30 | BLACK DOME PLUG | 2 | VM4124 |
| 31 | 5/16" TORLON BALL (30) PER RACE | 120 | VB.312TO |
| 32 | 3/8-24 X 3/8 SOCKET SET SCREW | 4 | VT37-24SS375 |
| 33 | GREASE FITTING | 2 | VT25-28ZERK |
| 34 | HEADED BUSHING | 2 | Y4141 |
| 40 | DRIVE SHAFT | 2 | Y4163 |
| 41 | KEY | 2 | X225 |
| 42 | WORM GEAR SINGLE LEAD | 2 | X220 |
| 43 | MALE THREADED BUSHING | 2 | Y2175 |
| 44 | FEMALE THREADED BUSHING | 2 | Y2176 |
| 45 | BEARING | 2 | VM4252 |
| 46 | WASHER | 2 | VW938X591-03 |
| 47 | SMALLEY RING | 2 | VR4365 |
| 48 | BEARING RETAINER | 2 | Y2160 |
| 50 | MOTOR SUBASSEMBLY | 2 | SEE SECTION 9.4 |
| 51 | 1/4-28 X 5/8 SOCKET HEAD SCREW | 10 | VT25-28SH625 |
| 52 | CONTROL BOX BRACKET | 1 | Y2130 |
| 53 | CONTROL BOX SUPPORT | 1 | Y2131 |
| 54 | CONTROL BOX SUBASSEMBLY | 1 | SEE SECTION 9.3 |
| 55 | SMALLEY RING | 1 | VR4310 |
| 56 | PULL PIN | 1 | XX340 |
| 57 | SPACER | 1 | Y2319 |
| 58 | SPRING | 1 | XX342 |
| 59 | PULL PIN HOUSING | 1 | X350 |
| 60 | 1/8 X 3/4 HDP SPIROL PIN | 1 | VP125X750H |
| 61 | PULL KNOB | 1 | XX341 |
| 62 | O-RING-145 | 1 | VO-145 |
| 63 | 1/4-20 X 5/16 BUTTON HEAD SCREW | 2 | VT25-20BH312 |
| 64 | CONTROL BOX SUPPORT | 1 | Y2132 |
| 65 | SOCKET HEAD CAP SCREW | 1 | VT37-24SH500 |
| 66 | WASHER | 1 | VW687E259-50 |

MONITOR CONTROL BOX



| # | DESCRIPTION | QTY | PART # |
|--------------|--|--|-------------|
| 1 | CABLE - 6 POLE FEMALE PLUG | 10" TOTAL LENGTH USED | Y5475 |
| | FOR TORNADO RC NOZZLE CONNECTION | 5" EXPOSED CABLE (NOT INCLUDING PLUG) | |
| 2 | PG11 STRAIN RELIEF | 1 | Y5205 |
| 3 | PG9 STRAIN RELIEF | 1 | Y5245 |
| 4 | CONDUIT FITTING | 2 | Y5213 |
| 5 | O-RING-018 | 2 | VO-018 |
| 6 | ENCLOSURE BOX | 1 | Y5116B |
| 7 | MAIN BOARD | 1 | Y5105 |
| 8 | M4-0.7 X 6MM PHILLIPS HEAD SCREW | 4 | VTM4-0.7PH6 |
| 9 | MOTOR CONTROL BOARD | 3 | Y5100 |
| 10 | MONITOR CONTROL BOX COVER - SUBASSEMBLY | 1 | Y5801-LID |
| 11 | COMMUNICATION BOARD | 1 | Y5110-B |
| *12 | RADIO + ADAPTER XBEE TO XSTREAM 900 MHZ RADIO | 1 | Y5891 |
| | RADIO + ADAPTER XBEE TO XSTREAM 2.4 GHZ RADIO | | Y5893 |
| 13 | PG9 LOCKNUT | 1 | Y5246 |
| 14 | PG9 HEX PLUG | 1 | Y5248 |
| *15 | 900/920 MHZ ANTENNA W/FITTING & CONN. SUBASSY. | 1 | Y5897 |
| | 2.4 GHZ ANTENNA ADAPTER W/CONN. SUBASSY. | | Y5898 |
| * - OPTIONAL | | | |

MOTOR SUBASSEMBLY



| ITEM # | DESCRIPTION | QTY | PART # |
|--------|--------------------------------------|-----|--------------|
| 1 | 6-32 x 5/16 LONG SHCS WITH HEAD SEAL | 4 | VT06S32SH312 |
| 2 | CUP SEAL | 1 | Y4620 |
| 3 | MOTOR SOCKET, ANGLED FITTING | 1 | Y4617 |
| 4 | O-RING-018 | 1 | VO-018 |
| 5 | CONDUIT FITTING | 1 | Y5213 |
| 6 | HOSE - 3/8" ID PUSH-LOK | 1 | Y5250 |
| 7 | O-RING-038 | 1 | VO-038 |
| 8 | GEAR MOTOR WITH ENCODER | 1 | Y4600 |
| 9 | ENCLOSURE | 1 | Y4616 |