



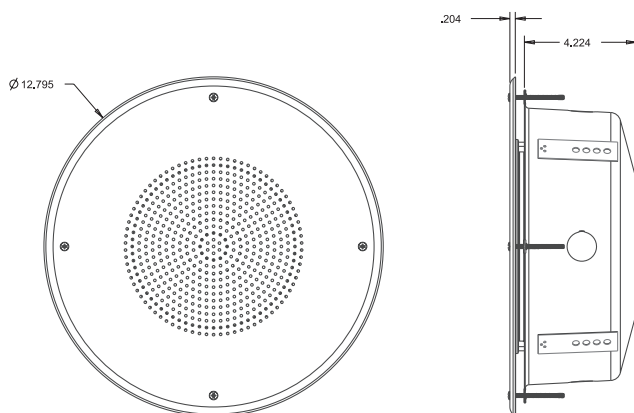
8-Inch Dual Voltage Speaker for Fire and General Signaling Systems

The SPCW8 8-inch ceiling speaker with listed enclosure has field selectable tap setting from 1/8 to 8 Watts.

Features

- For use with separately sold tile support bracket: SB-SPC8
- Flush and ceiling tile mounting with use of ceiling tile bracket
- Voltage and speaker tap settings via jumper connection
- Field selection of speaker voltage (25 and 70.7 Vrms) and power settings (1/8, 1/4, 1/2, 1, 2, 4, and 8 watts)
- UL and ULC listed
- Broad temperature range 32°F to 120°F
- Accepts wire up to 12 AWG
- Speaker ships with included back can

Dimensions



Agency Listings



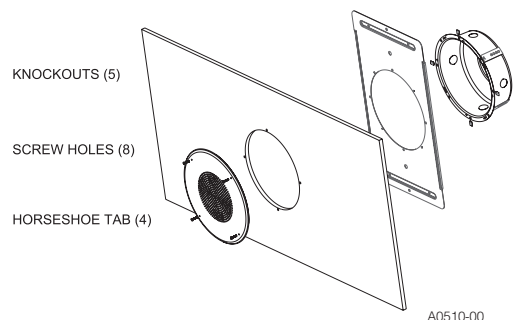
SPCW8 8" speaker provides a solution for ceiling mount applications for tap setting range between 1/8 watt to 8 watts. Providing a solution for almost any voice need.

System Sensor offers seven different tap settings ranging from 1/8 to 8 watts providing a solution for life safety and general signaling requirements. The high dB output reduces the number of speakers required for sound and intelligibility. The SPCW8 is designed for high efficiency sound output with low total harmonic distortion to offer high fidelity sound output.

Its clear audibility is designed to meet life safety needs from fire to emergency communication messages. With its wide frequency range it can also be used for general signaling such as paging and background music. The SPCW8 speaker is listed to ANSI/UL 1480, CAN/ULC S541 and CSA C22.2. No. 205 requirements for public mode and general signaling applications as well as ANSI/UL 2043 plenum rated. Speaker is suitable for indoor and damp installations.

The SPCW8 can be surface mounted with the included back can or flush mounted with optional accessory, SB-SPC8. The SB-SPC8 (sold separately) offers support for ceiling tile installations and 3/4 inch knockouts are provided for conduit entry and are compatible with plenum rated cable and plenum whip flex conduit.

Surface Mounting



Ceiling-Mount Speaker with Back Can and SB-SPC8 tile bridge

Speaker and Speaker Strobe Specifications

Architectural/Engineering Specifications

The System Sensor SPCW8 8-inch dual voltage speaker and enclosure shall mount using SB-SPC8 mounting bracket, sold separately. The SPCW8 can be flush mounted with supplied back can or ceiling mounted with back can and SB-SPC8 tile bridge.

The speaker shall be a SPCW8 dual-voltage transformer speaker capable of operating at 25.0 or 70.7 nominal Vrms with field selectable tap settings from 1/8 to 8 Watts. It should be listed to ANSI/UL 1480, CAN/ULC S541 and CSA C22.2 No. 205 requirements for public mode and general signaling applications as well as ANSI/UL 2043 plenum rated. Speaker is suitable for indoor and damp installations. The speaker shall have a frequency range of 400 to 4,000 Hz and shall have an operating temperature between 32°F and 120°F. The speaker shall have power taps and voltage that are selected by jumper connection.

Physical Specifications

Operating Temperature	32°F to 120°F (0°C to 49°C)		
Humidity Range	10 to 93% non-condensing		
Dimensions, Ceiling-Mount			
	Diameter	Depth	
SPCW8 Speaker with Grill	12.8 in., 325.1 mm	2.7 in., 68.6 mm	
SPCW8 Speaker with Back Can	12.8 in., 325.1 mm	4.2 in., 106.7 mm	
	Length	Width	Diameter Opening
SB-SPC8 Tile Support Bracket: Length	23.75 in., 603.3 mm	4.125 in., 104.8 mm	10.75 in., 273.1 mm

Electrical/Operating Specifications

Nominal Voltage (speakers)	25 Volts or 70.7 Volts (nominal)
Maximum Supervisory Voltage (speakers)	50 VDC
Operating Voltage Range (includes fire alarm panels with built in sync)	8 to 17.5 V (12 V nominal) or 16 to 33 V (24 V nominal)
Frequency Range	400 to 4,000 Hz (Fire Alarm), 200Hz - 15KHz (General Signaling)
Power	1/8, 1/4, 1/2, 1, 2, 4, 8 watts
Input Terminal Wire Gauge	12 to 18 AWG

UL Current Draw Data

Sound Output	1/8 W	1/4 W	1/2 W	1 W	2 W	4 W	8 W
UL Reverberant (dBA @ 10 ft.)							
SPCW8	75	78	81	84	87	90	93
UL Anechoic (dBA @ 10 ft.)							
SPCW8	82	85	87	91	94	97	100

Ordering Information

Speaker	
White	Description
SPCW8	8 Inch Dual Voltage Speaker
Accessories	
White	Description
SB-SPC8	Tile Support Bracket, 4-Pack



3825 Ohio Avenue • St. Charles, IL 60174
 Phone: 800-SENSOR2 • Fax: 630-377-6495
www.systemsensor.com

©2017 System Sensor.
 Product specifications subject to change without notice. Visit systemsensor.com
 for current product information, including the latest version of this data sheet.
 AVDS86101 • 03/17