



SES2-600-COMP

Electronic sirens are increasingly used for mass warning systems due to their advantages of low energy consumption and low maintenance effort. Their modular construction offers individual structure and power stages possibilities.

The new SES2-COMP series combines the positive features of the high end product line with the requirements of budget pricing and compactness. The COMP sirens are designed for siren sites for which neither loudspeaker announcements nor multiple options are necessary.

ADVANTAGES & FUNCTIONS

- low cost alternative to motor siren
- compact design
- soundless amplifier and loudspeaker test with 20 kHz test signal
- temperature/overload protection for amplifier
- monitoring of battery voltage and shutdown in case of under voltage to prevent a deep discharge
- mains independent operation in case of a power blackout up to 16 days

TECHNICAL DATA

IN GENERAL

sound level in dB(A) in 30 m distance	107 - 117dB(A)
fundamental frequency	415 Hz
number of acoustic radiators	4
humidity	20 % - 90 % RH no condensing

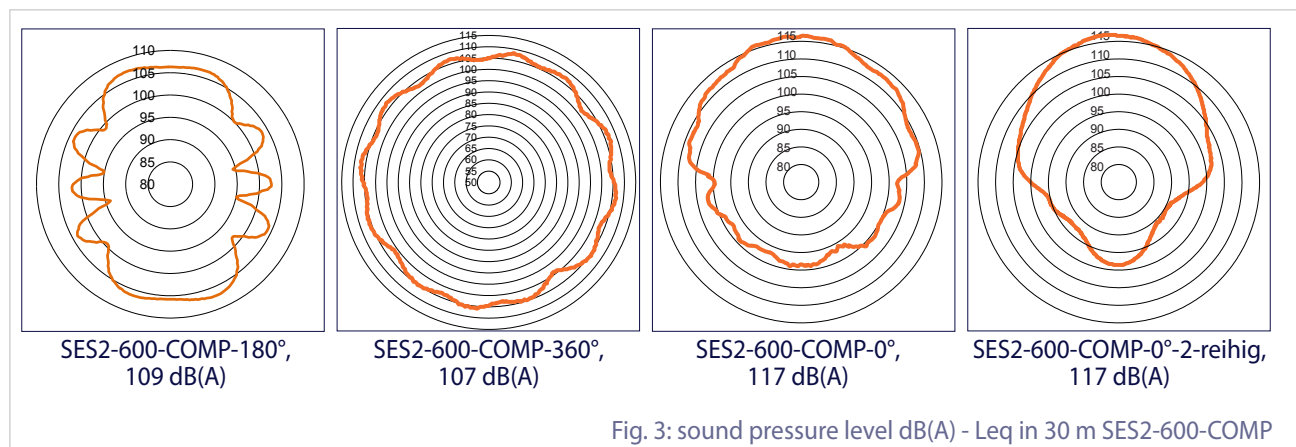
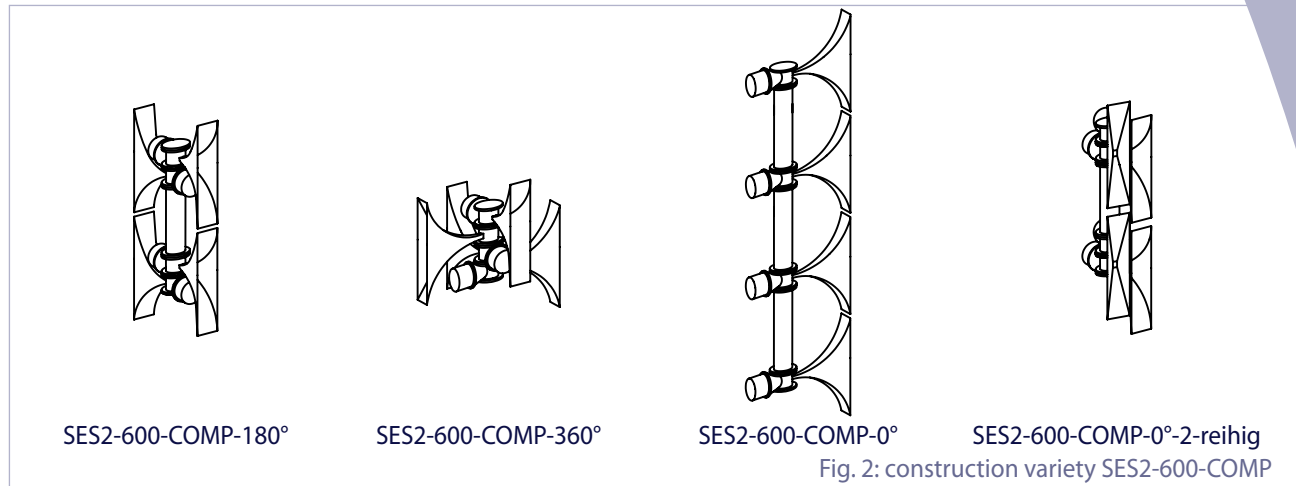
ACOUSTIC RADIATORS

acoustic radiators made of	material ALSi7Mg0,35F - see water resistant aluminium alloy
loudspeaker drivers	4 à 150 Watt (finishing in Germany - specially adapted for the demanding requirements of the electronic siren production)

sound radiation	optional omni-directional (180° or 360°) or directed (0° or 0°-2-line)
intermediate flanges	0 at 360°, 1 at 180° and 0°-2-line, 3 at 0°
antenna flange	optional
screw set	V2A
temperature range	-50° C to +70° C
overall weight	34.42 - 59.62 kg
dimensions (w x h x d)	180°: 830 x 1386 x 160 mm 360°: 830 x 940 x 830 mm 0°: 630 x 2530 x 160 mm 0°-2-line: 630 x 1386 x 280 mm



Fig.1: A COMP version



CONTROL UNIT

number of amplifiers	1
power output RMS	600 W RMS
mains voltage	230 V _{AC}
power input in stand-by mode	6 VA (with charged batteries)
power input at battery charge	max. 60 VA
power consumption at 24 V _{DC}	at standby 38 mA
number of potential free inputs	2 + clock input: 1 input e.g. fire alert, 1 clock input, 1 input for 20 kHz test
number of potential free outputs	1 alert active, 1 loudspeaker circuit open, 1 loudspeaker short circuit
connection for external devices	1 fused output 24 V _{DC} for siren control receiver
test buttons	1 for clock input, 1 for 20 kHz soundless test, 1 system reset
optic signalling of status and data	standard indication of the amplifier (operation, loudspeaker circuit 1-OK, loudspeaker circuit 2-OK, excess temperature, short circuits, output open); battery control LED (=indication for battery voltage)
battery voltage / capacity (C20)	2 x 12 V / 18 Ah, maintenance free AGM technology
battery charging	max. 5 A (according to IU characteristics)
battery capacity	16 days with 5 alerts à 1 Min at 20° C
temperature range electronics	-40° C to +70° C
temperature range batteries	-25° C to +60° C
temperature range charging unit	-20° C to +60° C
type of protection	IP 56 (depending on forced ventilation and cable inlet)
cabinet dimention (w x h x d)	380 x 380 x 210 mm
weight / colour	32 kg / RAL 7035