

## Addressable Heat Detector



**IntelliKnight® addressable heat detectors combine accurate heat detection with pin-point location ID. An essential combination for any installation.**

IntelliKnight heat detectors are an essential component in virtually any IntelliKnight installation. The IntelliKnight panel recognizes each detector by its specific address, so precious seconds are not wasted in determining location of an alarm.

Like other IntelliKnight detector models, the SD505-AHS offers a low profile for pleasing aesthetics.

The IntelliKnight family of detectors has been designed to use a common base, Model SD505-6AB, allowing complete application and placement flexibility. Combine all this with the features you've come to expect from Silent Knight detectors—easy installation, stable operation, RF/transient protection, and vandal-resistant locking—and it adds up to a flexible solution for all your fire protection needs.

### Model SD505-AHS Addressable Heat Detector

The SD505-AHS is a heat detector suited to virtually any commercial setting. The SD505-AHS is an absolute temperature device. This means that it responds in alarm if the temperature goes above the trip point (programmed at the panel).

The SD505-AHS provides accurate temperature measurement data to the fire alarm control panel. This heat detector is particularly suited to environments where smoke detectors cannot be used because of the presence of steam or cooking fumes, such as in a kitchen.

### Operation

The SD505-AHS unit is made up of an externally mounted thermistor with a specially designed cover that protects the thermistor while allowing maximum air flow. The thermistor reads the temperature from the air it takes in. It then transmits a signal representing the temperature to the IntelliKnight panel.

If the temperature exceeds the trip point (programmed at the panel), an alarm occurs. The status LED lights continuously during the alarm period.

Under normal conditions, the status LED blinks approximately every 15 seconds, indicating that the head is communicating with the loop.

### Features

- Low profile, 2 inches, including base
- Absolute temperature device
- Simple and reliable addressing
- Uses digital communication protocol
- The SD505-AHS is UL Listed and meets the requirements outlined in NFPA 72 Inspection Testing and Maintenance, Chapter 7.
- CFSM listed
- MEA listed
- FM approved



### SD505-AHS Heat Detector Specifications

Operating Voltage:	17 to 41 VDC
Current Consumption:	
Standby:	.55 mA
Alarm:	.55 mA
Detection Temperature Range:	135°F to 150°F (57°C TO 65°C)
Ambient Temperature:	32°F to 120°F (0°C to 49°C)
Mounting:	4" SQR, 4" OCT Single gang mud ring
Rated Spacing:	70' between sensors on smooth ceilings.
Compatible Bases: (Sold Separately)	SD505-6AB (6" Base) SD505-4AB (4" Base)



**SILENT  
KNIGHT**

by Honeywell

# Model SD505-AHS Addressable Heat Detector



## Engineering Specifications

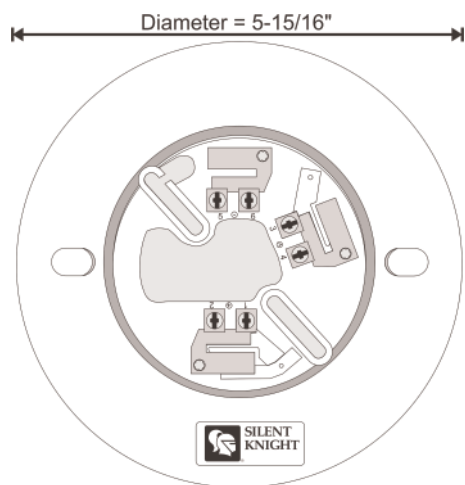
The contractor shall furnish and install where indicated on the plans, addressable heat detector Silent Knight SD505-AHS. The combination detector head, and twist-lock base, shall be UL® listed compatible with Silent Knight's IntelliKnight fire alarm control panels.

The base shall permit direct interchange with Silent SD505-APS Photoelectric Smoke Detector, or SD505-AIS Ionization Smoke Detector. Base shall be the appropriate twist-lock base SD505-6AB.

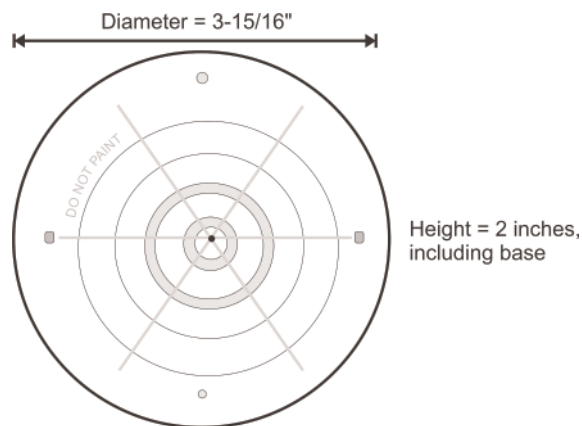
The smoke detector shall have a flashing status LED for visual supervision. When the detector is actuated, the flashing LED will latch on steady at full brilliance. The detector may be reset by actuating the control panel reset switch.

The vandal-resistant, security locking feature shall be used in those areas as indicated on the drawing. The locking feature shall be field removable when not required.

Voltage and RF/transient suppression techniques shall be employed to minimize false alarm potential.



**Model SD505-6AB Detector Base  
(Front View)**



**Model SD505-AHS Detector Head  
(Front View)**



This document is not intended to be used for installation purposes. We try to keep our product information up-to-date and accurate. We cannot cover all specific applications or anticipate all requirements. All specifications are subject to change without notice. For more information, contact Silent Knight 7550 Meridian Circle Suite 100, Maple Grove, Mn 55369-4927.  
Phone: (800) 328-0103, Fax: (763) 493-6475.

**MADE IN AMERICA**

FORM# 350229 Rev B., 05/05

Copyright © 2005 Silent Knight