

New Product Announcement

DEF Dispensing Reels Series UR7000

Reelcraft introduces its DEF Dispensing line of spring retractable hose reels. Designed to aid in the dispensing of Diesel Emissions Fluid (DEF) for late model diesel engines, these reels are an integral part in emerging DEF service stations in marinas, truck stops and garages. This sort of dispensing equipment is going to become more prevalent across the United States as the push for "greener" emissions standards escalates. Reelcraft is offering a solution.

Benefits

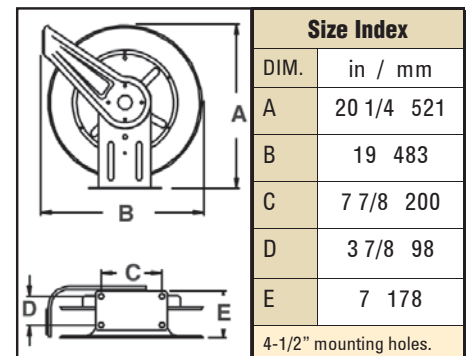
- **Corrosion Resistance** Internal fluid path parts are made from 304L grade stainless steel and features Viton o-rings. Carbon steel parts receive a uniform polyester powder coat prior to assembly.
- **Heavy Duty** Steel stampings are engineered with structural forms to give added strength and rigidity.
- **Ease of Maintenance** Open design allows for access to any wear items, guide arm and bumper stop are adjustable using only standard tools.
- **Extended Hose Life** Reel stores expensive hose up and out of harm's way greatly extending the service life of hose.
- **Convenience** Reels keep longer lengths of hose in an organized manor and make it easier to access hard to reach fuel tanks.
- **Integration** We offer National Pipe Thread fittings as well as British Parallel to ensure that the reel will integrate with other components of your DEF system such as, nozzles, pumps and meters.

Related Products

Reelcraft offers a complete line of over 2,500 hose, cord and cable reels. For more information visit us on the web at www.reelcraft.com.



UR7925 OLB



Model with Hose	Shipping Weight		Pressure		Hose I.D.		Hose O.D.		(M) Outlet	(F) Inlet	Hose Length		Model without Hose	Shipping Weight		Pressure	
	lbs	kg	psi	bar	in	mm	in	mm	in	in	ft	m		lbs	kg	psi	bar
Carbon Steel Reel W/ Stainless Steel Fluid Path Maximum Temperature 150° F (65° C)																	
UR7830 OLB70	49	22	300	21	1/2	13	.844	22	1/2 BSPP	1/2 BSPP	30	9	UR7800 OLB70	44	20	500	35
UR7850 OLB70	50	23	300	21	1/2	13	.844	22	1/2 BSPP	1/2 BSPP	50	15	UR7800 OLB70	44	20	500	35
UR7915 OLB	48	22	300	21	3/4	19	1.13	29	3/4 NPT	3/4 NPT	15	5	UR7900 OLB	44	20	500	35
UR7925 OLB	53	24	300	21	3/4	19	1.13	29	3/4 NPT	3/4 NPT	25	8	UR7900 OLB	44	20	500	35

NOTE: Additional models available, consult factory. Working temperature range:-15°F (-26°C) to 250°F (121°C).

SPECIFICATIONS

- ✓ Designed for dispensing DEF or Diesel Emissions Fluid (AUS32, Aqueous Urea Solution)
- ✓ Goodyear DEF Dispensing Hose and adjustable bumper included
- ✓ Gasketed spring case
- ✓ Viton® o-rings
- ✓ Reels constructed from industrial grade carbon steel or 304L stainless steel (optional).
- ✓ 316 Stainless shaft and Super Swivel®
- ✓ High quality stainless steel hose ferrules

Reelcraft Industries, Inc.
2842 E. Business Hwy. 30
Columbia City, IN 46725
Fax: **260-248-2605**

Toll Free Ph: **800-444-3134**
Ph: **260-248-8188**
www.reelcraft.com
reelcraft@reelcraft.com

