

New Product Announcement

Cord Reels with Swing Bracket Series L 4000

This new package from Reelcraft pairs our heavy industrial cord reels, the Series L 4000, with an accessory swing bracket. The result is a more efficient way to supply power and lighting. Reels may be installed in a central location and pay out cord in a 180° arc from the mounting point. Both the reel and bracket are made from high grade industrial steel and receive our durable powder coat paint.

Benefits

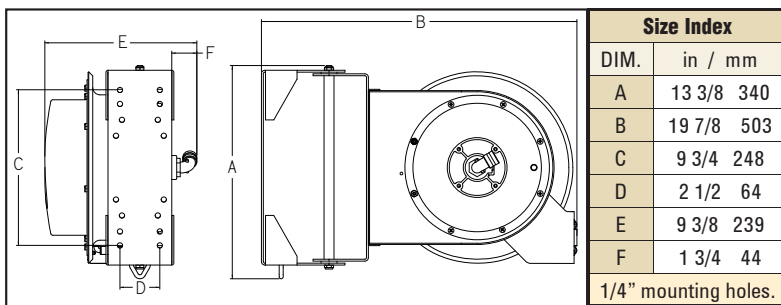
- **Convenience** swing bracket pays hose out in several different positions.
- **Long Service Life** extend service life of expensive cables by eliminating wear due to angular hose pull.
- **Ease of Ordering** order one part number, receive one box & ensure that accessory item matches reel.



Model Shown: L 4050 163 3SB

Related Products

Reelcraft offers a complete line of over 2,500 standard hose, cord and cable reels. Visit us online at www.Reelcraft.com for a comprehensive listing and our special manufacturing capabilities.



SPECIFICATIONS

- Compact for critical space requirements
- Bracket may swing freely or pin lock into one of several positions
- Reel models supplied with 4-5' pigtail and three-prong
- Adjustable cord stop included
- Heavy duty slip ring
- 2-year warranty

Model with Cord	Cord Ending	Cord Specifications				Volts	Amps	Shipping Weight	
		AWG / mm	# Cond.	ft / m	Type			lbs	kg
Power Cord Reels Maximum Temperature 150° F (65° C)									
L 4035 163 3SB	Single Recept.	16	1.33	3	35 11	SJTOW	125	13	31 14
L 4050 163 3SB	Single Recept.	16	1.33	3	50 15	SJTOW	125	13	32 15
L 4050 163 9SB	Tri Tap	16	1.33	3	50 15	SJE0OW	125	13	32 15
L 4545 123 3SB	Single Recept.	12	3.32	3	45 15	SJE0OW	125	15	33 15
L 4545 123 3ASB	Single Recept.	12	3.32	3	45 14	SJE0OW	125	20	34 16
L 4545 123 3BSB	Twist Lock	12	3.32	3	45 14	SJE0OW	125	20	34 16
L 4545 123 9SB	Tri Tap	12	3.32	3	45 14	SJE0OW	125	15	34 16
L 4545 123 9GSB	Tri tap w/ GFCI	12	3.32	3	45 14	SJE0OW	125	15	36 17
L 4545 123 7SB	Duplex Box w/GFCI	12	3.32	3	45 14	SJE0OW	125	15	35 16
L 4545 123 7ASB	Duplex Box w/GFCI	12	3.32	3	45 14	SJE0OW	125	20	35 16
Light Cord Reels Maximum Temperature 210° F (99° C)									
L 4035 163 1SB	Incandescent	16	1.33	3	35 11	SJTOW	125	13	29 13
L 4050 163 1SB	Incandescent	16	1.33	3	50 15	SJTOW	125	13	33 15
L 4035 162 2SB	Fluorescent	16	1.33	3	35 11	SJTOW	125	0.3	32 15
L 4050 162 2SB	Fluorescent	16	1.33	3	50 15	SJTOW	125	0.3	35 16
L 4035 163 8SB	FL Light w/ Outlet	16	1.33	3	35 11	SJTO	125	10	31 14
L 4050 163 8SB	FL Light w/ Outlet	16	1.33	3	50 15	SJTO	125	10	33 15

For indoor non-weather tight applications only. *All models UL listed at 125 Volt 60 HZ single phase. Base power cord reels without cord ends are suitable for 220V, but not UL approved at 220V. Plug ends not set up for 20 amp. NOTE: Swing brackets should be used if cords are pulled at more than 45°



600993 Swing bracket



Reelcraft Industries is
ISO 9001:2000
Certified Since 1996

Reelcraft Industries, Inc.
2842 E. Business Hwy. 30
Columbia City, IN 46725
Fax: **260-248-2605**

Toll Free Ph: **800-444-3134**
Ph: **260-248-8188**
www.reelcraft.com
reelcraft@reelcraft.com

