

Light Duty Hand Crank Hose Reels

Air/Water - 3/8", 1/2" I.D.

- Designed for lighter-duty applications that require longer lengths of low pressure hose
- Incorporates a balanced brass swivel, brass inlet, lighter weight components, and forward-thinking design
- All reels feature a drag break to prevent de-spooling when reel is not in use

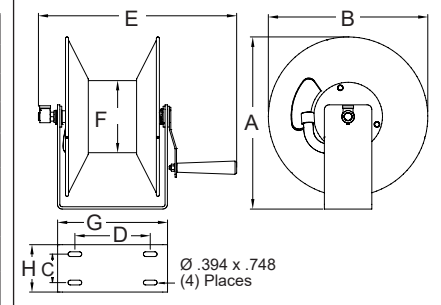


CU6050LN

Additional Series C Models
Pressure Wash Reels - Page 22

	Dimensions							
	1		2		3		4	
	in	mm	in	mm	in	mm	in	mm
A	11 ¹ / ₂	292	11 ¹ / ₂	292	14 ³ / ₈	365	14 ³ / ₈	365
B	10 ¹ / ₂	267	10 ¹ / ₂	267	13 ¹ / ₄	337	13 ¹ / ₄	337
C	2	51	2	51	2 ³ / ₈	60	2 ³ / ₈	60
D	6 ⁵ / ₈	168	11 ¹ / ₈	283	6 ¹ / ₄	159	10 ¹ / ₄	260
E	16 ³ / ₄	425	21 ¹ / ₈	537	16 ³ / ₄	425	20 ⁷ / ₈	530
F	4	102	4	102	6	152	6	152
G	9 ³ / ₈	238	13 ⁷ / ₈	352	9 ¹ / ₄	235	13 ¹ / ₄	337
H	3 ³ / ₈	86	3 ³ / ₈	86	4	102	4	102

Model without hose	Shipping Weight		Hose Capacity				Max Pressure	NPT(F) Reel Inlet	NPT(F) Reel Outlet	Size Index Page	Size Index #			
	lbs	kg	I.D.	O.D.	Length	psi						bar		
Low Pressure Air/Water Reels Maximum Temperature 150 °F (65 °C)														
CU6050LN	12	5	3/8	10	.600	15	50	15	300	21	3/8	3/8	----	1
CT6050LN	13	6	3/8	10	.600	15	50	15	300	21	3/8	3/8	22	1
CU6100LN	16	7	3/8	10	.600	15	100	30	300	21	1/2	1/2	----	2
CU8050LN	13	6	1/2	13	.750	19	50	15	300	21	1/2	1/2	----	3
CU8100LN	20	9	1/2	13	.750	19	100	30	300	21	1/2	1/2	----	4



Hand Crank and Motor Driven Reels

Series 30000 - Air/Water/Oil - 1/2", 3/4", 1" I.D.

- Designed for rugged applications requiring long lengths of hose and large storage capacity
- All-bolted unitized construction, full flow swivel and heavy gauge steel frame, spool, and drum ensure longest service life
- Vibration-proof, self-locking fasteners are ideal for industrial use
- Optional lock pin to prevent spool rotation when the reel is not in use, S600874



Removable gooseneck makes hose installation easy.



Hand Crank
CA32112 L



Motor Driven
EA33112 L12D

NEW!
Reel Covers
 See page 36

Rewind Motors & Operating Switches
 See page 38

Roller Guide Assemblies
 See page 39



Interactive Reel Catalog



Visit reelcraft.com/catalog for complete product specifications, parts, and accessories.