

New Product Announcement

Static Discharge Reels

In a continuous effort to fulfill the reeling needs of our customers, Reelcraft introduces an expansion in our line of industrial duty static discharge reels. The latest addition, our manual rewind GHC3100 N, conveniently retracts and stores up to 100' of high-visibility orange nylon jacketed cable. When properly clamped to a ground, the static discharge reel dissipates static electrical buildup, reducing the chances of sparking and the potential for explosion. It is highly recommended for applications where explosions are prevalent as a result of static build-up, such as re-fueling/de-fueling.

Benefits

- **Strength** Made from industrial grade carbon steel
- **Versatility** Guide arm adjusts to one of several payout positions requiring only standard tools (GA3100 N and GHC3100 N only).
- **Long Life** Drive springs made of quality scaleless blue steel for years of service. Cable guides reduce premature wear on cable and steel components are powder coated for superior corrosion resistance.

Related Products

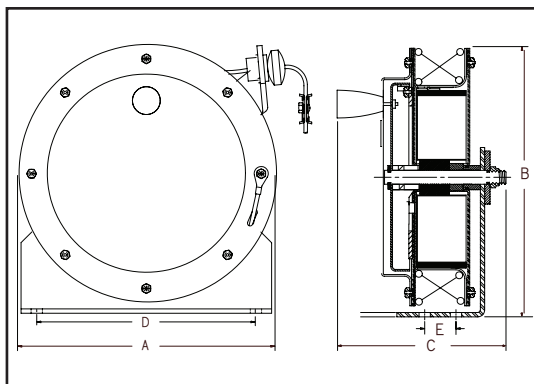
Reelcraft offers a complete line of industrial grade hose, cord and cable reels. For a full listing of our products, request a catalog or visit us online at www.reelcraft.com



GA3100 N



NEW!
GHC3100 N



Size Index			
No.	1	2	3
DIM.	in / mm		in / mm
A	9 ¹ / ₄ 235	8 ⁵ / ₈ 219	9 ¹ / ₄ 235
B	9 ³ / ₄ 248	8 ⁷ / ₈ 224	9 ³ / ₄ 248
C	5 ¹ / ₄ 134	3 ³ / ₈ 86	3 ³ / ₄ 96
D	7 ⁷ / ₈ 200	7 ⁷ / ₈ 200	7 ⁷ / ₈ 200
E	1 ¹ / ₈ 29	1 ¹ / ₂ 38	1 ¹ / ₈ 29

50' models have 4 - 3/8" mounting holes. 100' models have 4 - 1/2" mounting holes.

✓ Easily adjusted spring tension (spring driven models only)

On enclosed models, loosening two screws allows user to add or remove spring tension. This exercise requires only standard tools and is easily done out in the field. For the larger open models, wraps may be added/removed to increase/decrease tension similar to our open-style hose reels.

✓ Corrosion resistance

Steel components are powder coated for superior corrosion resistance. Steel cables available with nylon coating for longer service life.

✓ Compact design

Reels require little mounting space for applications where space is a critical requirement.

Model with Cable	Cable Length		Y	Clamp Rating	Max Temp. F / C	Cable Notes	Shipping Weight		Size Index
	ft / m	ft / m					lbs / kg		
Hand Crank Static Discharge Reels									
GHC3100 N	100	30	N/A	100 AMP	150 66	Hi-vis orange nylon covered cable**	12	5	1

**Nylon covered cable (1/8" O.D.). Four 1/2" mounting holes.

Model with Cable	Cable Length		Y	Clamp Rating	Max Temp. F / C	Cable Notes	Shipping Weight		Size Index
	ft / m	ft / m					lbs / kg		
Spring Driven Static Discharge Reels									
G 3050	50	15	N/A	100 AMP	150 66	Single 7 x 7 stranded steel*	12	5	2
G 3050 Y	50	15	2 @ 15' (5m)	100 AMP	150 66	35' (9.2m) plus dual 15' (4.6m) for Y*, total extension 50' (15m)	12	5	2
G 3050 N	50	15	N/A	100 AMP	150 66	Nylon covered cable**	12	5	2
GA3100 N	100	30	N/A	100 AMP	125 52	Hi-vis orange nylon covered cable**	16	7	3

**3/32" O.D. steel aircraft cable. DC resistance is approximately one ohm per 50 ft. of steel cable. **Nylon covered cable (1/8" O.D.).

G 3050 Y



G 3050 N



Reelcraft Industries, Inc.
2842 E. Business Hwy. 30
Columbia City, IN 46725
Fax: **260-248-2605**

Toll Free Ph: **800-444-3134**
Ph: **260-248-8188**
www.reelcraft.com
reelcraft@reelcraft.com

