

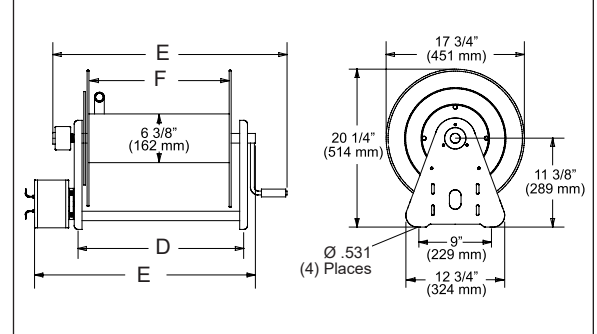
# Premium Duty Hand Crank / Motor Driven Reels | Series 30000

**E**   **A**   **3**   **3**   **1**   **06**   **L**   **12D**

<b>Drive Type</b> A - Air motor B - Bevel crank C - Hand crank E - Electric motor	<b>Swivel Size</b> 2 - 1/2" (13 mm) I.D. 3 - 3/4" (19 mm) I.D. 6 - 1/4" (6 mm) Dual 7 - 1" (25 mm) I.D. 8 - 1/2" (13 mm) I.D. pressure wash	<b>Width of Spool</b> See "F" Dimension 06 - 6" (152 mm) 12 - 12" (305 mm) 18 - 18" (457 mm)	<b>Motor Voltage/H.P.</b> Blank 12D - 12 V DC 4A - 1/2 HP air motor
<b>Fluid Path Type</b> A - Gooseneck H - Heavy duty gooseneck (1" only)	<b>Pressure</b> L - 1000 PSI (69 bar) M - 3000 PSI (207 bar)		

**NOTE:** Chart is for reference only. Not all options available in every combination. Reels cannot be ordered by selecting from this chart.

Hose I.D.	1/4"	3/8"	1/2"	3/4"	1"
	6 mm	10 mm	13 mm	19 mm	25 mm
Hose O.D.	.530"	.710"	.850"	1.188"	1.375"
	13 mm	18 mm	22 mm	30 mm	35 mm
"F" Width	Hose Capacity				
6"	200'	140'	100'	50'	N/A
152 mm	61 m	43 m	30 m	15 m	
12"	425'	300'	200'	100'	50'
305 mm	130 m	91 m	61 m	30 m	15 m
18"	625'	450'	325'	175'	100'
457 mm	191 m	137 m	99 m	54 m	31 m



**Additional Series 30000 Models**

**Pressure Wash** - Page 22   **Welding Gas** - Page 33  
**Hose Reel Cart** - Page 23   **Welding Cable** - Page 34

Models with a ★ icon are our most popular models.

Model without hose & bumper	Shipping Weight		Hose Capacity			Max Pressure		NPT(F) Reel Inlet	NPT(F) Reel Outlet	D		E		F	
	lbs	kg	I.D.	O.D.	Length	psi	bar	in	in	in	mm	in	mm	in	mm
<b>Manual Hand Crank Hose Reels</b> Maximum Temperature 210 °F (99 °C)															
CA32112 L ★	46	21	1/2	13	.750 19	200 61	1000 69	1/2	1/2	15 3/4	400	25 3/4	654	12	305
CA32118 L	51	23	1/2	13	.750 19	325 99	1000 69	1/2	1/2	21 3/4	552	31 3/4	806	18	457
CA32106 M	42	19	1/2	13	.850 22	100 30	3000 207	1/2	1/2	9 3/4	248	19 3/4	502	6	152
CA32112 M	46	21	1/2	13	.850 22	200 61	3000 207	1/2	1/2	15 3/4	400	25 3/4	654	12	305
CA32118 M	52	24	1/2	13	.850 22	325 99	3000 207	1/2	1/2	21 3/4	552	31 3/4	806	18	457
CA33106 L	41	19	3/4	19	1.075 27	50 15	1000 69	3/4	3/4	9 3/4	248	19 3/4	502	6	152
CA33112 L ★	46	21	3/4	19	1.075 27	100 30	1000 69	3/4	3/4	15 3/4	400	25 3/4	654	12	305
CA33118 L	51	23	3/4	19	1.075 27	175 53	1000 69	3/4	3/4	21 3/4	552	31 3/4	806	18	457
CA33112 M	47	21	3/4	19	1.188 30	100 30	3000 207	3/4	3/4	15 3/4	400	25 3/4	654	12	305
CA33118 M	51	23	3/4	19	1.188 30	175 53	3000 207	3/4	3/4	21 3/4	552	31 3/4	806	18	457
CH37112 L*	60	27	1	25	1.375 35	50 15	1000 69	1	1	15 3/4	400	25 3/4	654	12	305
CH37118 L*	64	29	1	25	1.375 35	100 30	1000 69	1	1	21 3/4	552	31 3/4	806	18	457
<b>Electric Motor Driven Hose Reels</b> Maximum Temperature 210 °F (99 °C)															
EA32106 L12D	60	27	1/2	13	.750 19	100 30	1000 69	1/2	1/2	9 3/4	248	19 5/8	498	6	152
EA32112 L12D	64	29	1/2	13	.750 19	200 61	1000 69	1/2	1/2	15 3/4	400	23 7/8	606	12	305
EA32118 L12D	68	31	1/2	13	.750 19	325 99	1000 69	1/2	1/2	21 3/4	552	29 5/8	752	18	457
EA33106 L12D	63	29	3/4	19	1.075 27	50 15	1000 69	3/4	3/4	9 3/4	248	19 5/8	498	6	152
EA33112 L12D	68	31	3/4	19	1.075 27	100 30	1000 69	3/4	3/4	15 3/4	400	23 7/8	606	12	305
EA33118 L12D ★	68	31	3/4	19	1.075 27	175 53	1000 69	3/4	3/4	21 3/4	552	29 5/8	752	18	457
EH37118 L12D*	82	37	1	25	1.375 35	100 30	1000 69	1	1	21 3/4	552	31	787	18	457
<b>Air Motor Driven Hose Reels</b> Filter, regulator, lubricator required. Maximum Temperature 210 °F (99 °C)															
AA32106 L4A	54	24	1/2	13	.750 19	100 30	1000 69	1/2	1/2	9 3/4	248	17 1/4	438	6	152

**CAUTION:** To prevent drum damage fully extend and pressurize hose and rewind on the reel. \*All 1 in. reel models have an 8 in. (203 mm) diameter drum.

Many more reel models available in addition to chart. Refer to reelcraft.com for details.