

## Ultimate Duty Spring Retractable Reels



**Air/Water/Oil** - 3/4", 1", 1 1/2" I.D.

- Ideal for service trucks, permanent service, or plant work areas
- Substantial base frame – full width frame has the greatest amount of mounting area and overall strength of reels within its class
- Latch and ratchet are made of heavy duty cast aluminum to limit the opportunity for premature wear
- Reels are shipped in the bottom wind position with right hand inlet; see Hose Guide Roller Position for other options

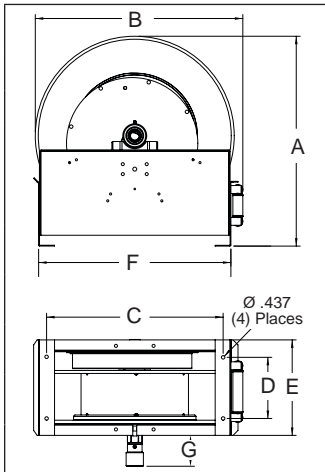


E9350 OLPBW

Models with a ★ icon are our most popular models.

\*Series G9000 reels have an external drive spring and a removable gooseneck.

	Size Index									
	1		2		3		4		5	
	in	mm	in	mm	in	mm	in	mm	in	mm
<b>A</b>	26 <sup>3</sup> / <sub>8</sub>	670	26 <sup>3</sup> / <sub>8</sub>	670	26 <sup>1</sup> / <sub>4</sub>	667	26 <sup>1</sup> / <sub>4</sub>	667	26 <sup>3</sup> / <sub>8</sub>	670
<b>B</b>	26 <sup>1</sup> / <sub>4</sub>	667	26 <sup>1</sup> / <sub>4</sub>	667	26 <sup>1</sup> / <sub>4</sub>	667	26 <sup>1</sup> / <sub>4</sub>	667	26 <sup>1</sup> / <sub>4</sub>	667
<b>C</b>	22 <sup>1</sup> / <sub>4</sub>	565	22 <sup>1</sup> / <sub>4</sub>	565	22	559	22	559	22 <sup>1</sup> / <sub>4</sub>	565
<b>D</b>	7 <sup>3</sup> / <sub>4</sub>	197	7 <sup>3</sup> / <sub>4</sub>	197	8	203	9 <sup>1</sup> / <sub>2</sub>	241	13 <sup>1</sup> / <sub>2</sub>	343
<b>E</b>	12	305	13 <sup>3</sup> / <sub>8</sub>	340	14 <sup>5</sup> / <sub>8</sub>	371	17 <sup>1</sup> / <sub>4</sub>	438	17 <sup>3</sup> / <sub>4</sub>	451
<b>F</b>	24 <sup>1</sup> / <sub>8</sub>	613	24 <sup>1</sup> / <sub>8</sub>	613	24 <sup>1</sup> / <sub>4</sub>	616	24 <sup>1</sup> / <sub>4</sub>	616	24 <sup>1</sup> / <sub>8</sub>	613
<b>G</b>	4 <sup>3</sup> / <sub>4</sub>	121	4 <sup>1</sup> / <sub>2</sub>	114	4 <sup>7</sup> / <sub>8</sub>	124	3 <sup>7</sup> / <sub>8</sub>	98	3 <sup>7</sup> / <sub>8</sub>	98



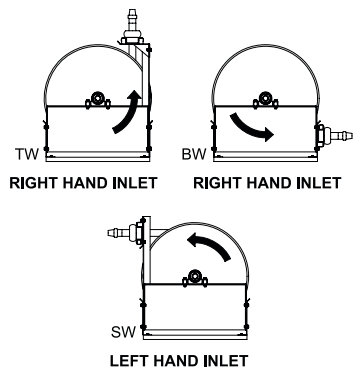
Meets or exceeds military vibration for Truck Transport test MIL-STD-810F 500,000 mile equivalent

**Additional Series 9000 Models**  
**S.S. Fluid Path** - Page 18  
**Fuel Delivery** - Page 20

Model with hose & bumper	Shipping Weight		Hose I.D.		Hose O.D.		Hose Length		Max Pressure		NPT(M) Hose Outlet	NPT(F) Reel Inlet	NPT(F) Reel Outlet	Size Index #
	lbs	kg	in	mm	in	mm	ft	m	psi	bar	in	in	in	
<b>Low Pressure Air/Water Reels</b> Maximum Temperature 150 °F (65 °C) Max working pressure is at 70 °F (20 °C)														
E9350 OLPBW	140	64	3/4	19	1.075	27	50	15	250	17	3/4	3/4	3/4	1
E9375 OLPBW	152	69	3/4	19	1.075	27	75	23	250	17	3/4	3/4	3/4	1
E9399 OLPBW	143	65	3/4	19	1.075	27	100	30	250	17	3/4	3/4	3/4	2
E9450 OLPBW	157	71	1	25	1.375	35	50	15	250	17	3/4	1	1	1
<b>Medium Pressure Oil Reels</b> Maximum Temperature 210 °F (99 °C)														
E9350 OMPBW	142	64	3/4	19	1.188	30	50	15	1250	86	3/4	3/4	3/4	1

Low pressure reels supplied with PVC hose. Medium pressure reels supplied with S.A.E. 100R1-AT (3/4") one wire braid hose.

### Hose Guide Roller Position



Reels are shipped in the bottom wind (BW) position. Kits are available for top wind (TW) and side wind (SW) position. Contact Reelcraft for more information.

Model without hose & bumper	Shipping Weight		Hose Capacity				Max Pressure	NPT(F) Reel Inlet	NPT(F) Reel Outlet	Size Index #			
	lbs	kg	I.D.	O.D.	Length								
<b>Low Pressure Air/Water Reels</b> Maximum Temperature 210 °F (99 °C)													
E9305 OLPBW	115	52	3/4	19	1.075	27	100	30	500	35	3/4	3/4	2
E9400 OLPBW	115	52	1	25	1.375	35	50	15	500	35	1	1	1
<b>FF9600 OLPBW ★</b>	135	61	1 1/2	38	2.000	51	50	15	600	41	1 1/2	1 1/2	5
G9600 OLPBW*	157	71	1 1/2	38	2.000	51	50	15	600	41	1 1/2	1 1/2	4
<b>Medium Pressure Oil Reels</b> Maximum Temperature 210 °F (99 °C)													
E9300 OMPBW	117	53	3/4	19	1.188	30	50	15	3000	207	3/4	3/4	1
G9300 OMPBW*	160	73	3/4	19	1.188	30	75	23	3000	207	3/4	1	3
E9400 OMPBW	120	54	1	25	1.480	38	50	15	3000	207	1	1	1
G9400 OMPBW*	159	72	1	25	1.480	38	75	23	3000	207	1	1	3



### Interactive Reel Catalog

Visit [reelcraft.com/catalog](http://reelcraft.com/catalog) for complete product specifications, parts, and accessories.



### Hose Assemblies & Bumper Stops

See pages 36-37



### Roller Guide Kits

See page 38