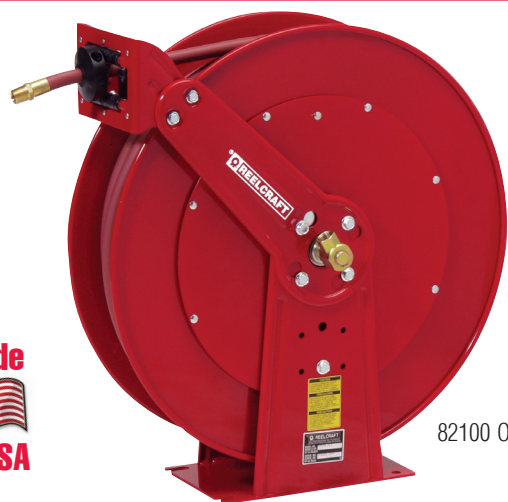


# Heavy Duty Dual Pedestal Hose Reels | Series 80000 / D80000



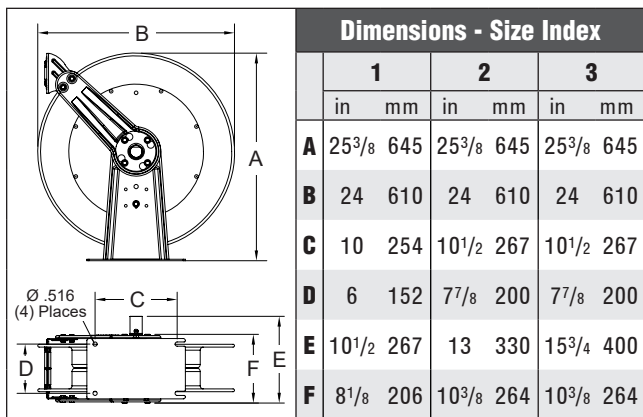
82100 OLP



## Heavy Duty Spring Retractable Reels Air/Water/Oil/Grease - 3/8", 1/2", 3/4", 1" I.D.

Reelcraft's Series 80000 and D80000 spring retractable reels incorporate the most current design and manufacturing techniques to increase service life and performance. The all-steel construction and a baked-on powder coat finish combine to produce a rugged, corrosion-resistant product suitable for a wide variety of heavy duty applications. Series D80000 reels are also supplied with Reelcraft's ball-bearing style swivel.

For all metric thread connections over 1/2" add the suffix number 70 to indicate BSPT threads - example 83050 OLP70.



### Features

- Dual pedestal base and guide arm design are structurally reinforced.
- Five-in-one, heat-treated aluminium casting incorporates main shaft, ratchet, spring arbor and inlet/outlet plumbing in one-piece casting.
- Containerized spring assembly provides safer and easier handling during maintenance.
- Two sealed ball bearings for smooth rotation of main shaft.

Model with Hose	Shipping Weight		Hose I.D.		Hose O.D.		Hose Length		**Max Pressure	NPT(M) Hose Outlet	NPT(F) Reel Inlet	Model without hose & bumper	Shipping Weight		Pressure		Size Index #	
	lbs	kg	in	mm	in	mm	ft	m	psi	bar	in		in	lbs	kg	psi		bar
<b>Low Pressure Air/Water Reels</b> Maximum temperature 150 °F (65 °C) w/hose / 210 °F (99 °C) w/o hose **Maximum working pressure at 70 °F (20 °C)																		
81075 OLP	76	34	3/8	10	.600	15	75	23	300	21	3/8	1/2	81000 OLP	77	35	500	35	1
81100 OLP	82	37	3/8	10	.600	15	100	30	300	21	3/8	1/2	81000 OLP	77	35	500	35	1
82075 OLP	87	39	1/2	13	.750	19	75	23	300	21	1/2	1/2	82000 OLP	82	37	500	35	1
82100 OLP	95	43	1/2	13	.750	19	100	30	300	21	1/2	1/2	82000 OLP	82	37	500	35	1
GCD85100 OLP*	95	43	5/8	16	1.000	25	100	30	250	17	3/4 NH	3/4 NH	Not available without hose			3		
83050 OLP	88	40	3/4	19	1.075	27	50	15	250	17	3/4	3/4	83000 OLP	77	35	500	35	1
GC83050 OLP*	89	41	3/4	19	1.075	27	50	15	250	17	3/4 NH	3/4 NH	Not available without hose			1		
D83075 OLP	102	46	3/4	19	1.075	27	75	23	250	17	3/4	3/4	D83000 OLP	83	38	500	35	2
D84035 OLP	97	44	1	25	1.375	35	35	11	250	17	3/4	1	D84000 OLP	91	41	500	35	3
D84050 OLP	103	47	1	25	1.375	35	50	15	250	17	3/4	1	D84000 OLP	91	41	500	35	3
<b>Medium Pressure Oil Reels</b> Maximum temperature 210 °F (99 °C)																		
82075 OMP	101	46	1/2	13	.850	22	75	23	2000	138	1/2	1/2	82000 OMP	82	37	3000	207	1
82100 OMP	109	49	1/2	13	.850	22	100	30	3000	207	1/2	1/2	82000 OMP	82	37	3000	207	1
83050 OMP	98	44	3/4	19	1.188	30	50	15	1250	86	3/4	3/4	83000 OMP	84	38	1500	103	1
D84050 OMP	122	55	1	25	1.400	36	50	15	1275	88	1	1	D84000 OMP	86	39	1500	103	3
<b>High Pressure Grease Reels</b> Maximum temperature 210 °F (99 °C)																		
81075 OHP	111	50	3/8	10	.730	19	75	23	4800	331	3/8	3/8	81000 OHP	85	39	5000	345	1
81100 OHP	127	58	3/8	10	.730	19	100	30	4800	331	3/8	3/8	81000 OHP	85	39	5000	345	1

Low pressure reels furnished standard with PVC hose. Medium pressure reels are furnished standard with S.A.E. 100R17 (1/2"), S.A.E. 100R1-AT (3/4"), or S.A.E. 100R1 (1") one wire braid hose. High pressure reels furnished standard with SAE 100 R2T two wire braid hose. See page 18 for gasoline and diesel fuel models. Reference page 6 for guide arm positions. \*Includes 3/4" x 10' inlet hose.

Prop 65: **WARNING:**  
Cancer and Reproductive Harm  
www.P65Warnings.ca.gov.



### Interactive Reel Catalog

Visit [www.reelcraft.com/catalog](http://www.reelcraft.com/catalog) for complete product specifications, available parts and accessories.



Visit [reelcraft.com/quick-ship](http://reelcraft.com/quick-ship) for a complete list of Quick Ship Reels - models that can be shipped same day when the order is received by 1:00 PM Eastern Time for quantities of 10 or fewer.