

New Product Announcement

Light Industrial Hand Crank Hose Reels

Reelcraft's Series C hose reels are designed for lighter-duty applications that require longer lengths of hose. The Series C is the product of lighter weight components and forward-thinking design. Low pressure models feature a hand crank with a balanced brass swivel and brass inlet, while high pressure models utilize a stainless steel stem and brass swivel body. Reels in this family benefit from a tough, corrosion-resistant powder coat paint. All reels feature a drag brake to prevent de-spooling while reel is not in use. The Series C is an economical choice for storing and retrieving hose.

Series CU

Air/Water -

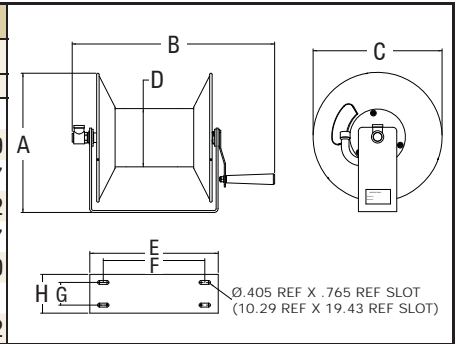
3/8", 1/2" I.D.

Series CU features our most rigid base design, supporting the reel on both sides.



CU6050LN

Dimensions - Series CU								
	1		2		3		4	
	in / mm		in / mm		in / mm		in / mm	
A	11 ¹ / ₂	292	11 ¹ / ₂	292	15	381	15	381
B	16 ³ / ₄	425	20 ¹ / ₈	512	16 ³ / ₄	425	20 ⁷ / ₈	529
C	10 ⁵ / ₈	270	10 ⁵ / ₈	270	13 ¹ / ₄	337	13 ¹ / ₄	337
D	4	102	4	102	4	102	6	152
E	9 ³ / ₈	238	13 ⁷ / ₈	352	9 ³ / ₈	238	13 ¹ / ₄	337
F	6 ⁵ / ₈	168	11 ³ / ₈	289	6 ⁵ / ₈	168	10 ¹ / ₄	260
G	2	51	2	51	2	51	2 ³ / ₈	60
H	3 ³ / ₈	86	3 ³ / ₈	86	3 ³ / ₈	86	4	102



Series CT Air/Water/

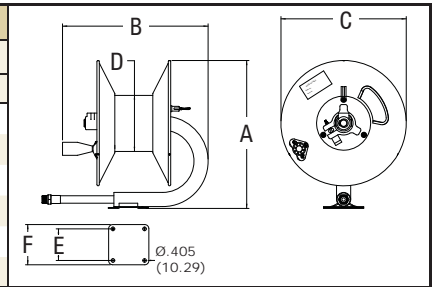
Pressure Wash - 3/8", 1/2" I.D.

The Series CT frame features a tubular design. The inlet is fed through the center of the tube frame, protecting the inlet hose and creating a cleaner look over all.



CT6100HN

Dimensions - Series CT				
	5		6	
	in / mm		in / mm	
A	15 ³ / ₄	400	15 ³ / ₄	400
B	15 ¹ / ₂	394	19 ¹ / ₂	495
C	13 ¹ / ₄	337	13 ¹ / ₄	337
D	6	152	6	152
E	3 ³ / ₈	86	3 ³ / ₈	86
F	4 ¹ / ₄	108	4 ¹ / ₄	108



Series CM **NEW!**

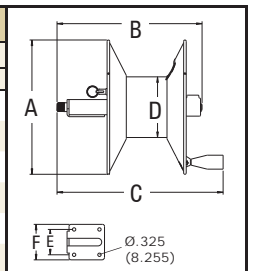
Pressure Wash - 3/8" I.D.

Series CM reels offer the greatest amount of flexibility by featuring a modular mounting platform. Reelcraft can configure custom mounts upon request or the customer may choose to supply their own.



CM6050HN

Dimensions - Series CM				
	7		8	
	in / mm		in / mm	
A	13 ¹ / ₄	337	13 ¹ / ₄	337
B	14 ³ / ₈	365	18 ³ / ₈	467
C	16 ³ / ₈	416	20 ¹ / ₂	521
D	6	152	6	152
E	2 ¹ / ₂	64	2 ¹ / ₂	64
F	3 ¹ / ₂	89	3 ¹ / ₂	89



Model w/o Hose & bumper	Shipping Weight		Pressure	Hose I.D.		Hose O.D.		(F)NPTF Reel Outlet	(F)NPTF Reel Inlet	Hose Length		Size Index #	
	lbs / kg	psi / bar		in / mm	in / mm	in / mm	in	in	ft / m				
Low Pressure Air/Water Reels Maximum Temperature 150° F (65° C)													
CU6050LN	11	5	300	21	3/8	10	.600	15	3/8	3/8	50	15	1
CU6100LN	16	7	300	21	3/8	10	.600	15	3/8	3/8	100	30	2
CU8050LN	13	6	300	21	1/2	13	.750	19	1/2	1/2	50	15	3
CU8100LN	20	9	300	21	1/2	13	.750	19	1/2	1/2	100	30	4
CT6050LN	13	6	300	21	3/8	10	.600	15	1/2	1/2	50	15	5
CT6100LN	17	7.5	300	21	3/8	10	.600	15	1/2	1/2	100	30	6
CT8050LN	13	6	300	21	1/2	13	.750	19	1/2	1/2	50	15	5
CT8100LN	17	7.5	300	21	1/2	13	.750	19	1/2	1/2	100	30	6
High Pressure Wash Reels Maximum Temperature 210° F (99° C)													
CT6050HN	13	6	5000	345	3/8	10	.730	19	3/8	1/2	50	15	5
CT6100HN	17	7.5	5000	345	3/8	10	.730	19	3/8	1/2	100	30	6
CM6050HN	14	6.5	5000	345	3/8	10	.730	19	3/8	1/2 (M)	50	15	7
CM6100HN	18	8	5000	345	3/8	10	.730	19	3/8	1/2 (M)	100	30	8

Reels are supplied without hose; hose assemblies will be quoted upon request.

✓ Superior corrosion-resistance

Components are powder coated prior to assembly for maximum corrosion resistance

✓ Reel protects hose

Reel stores long lengths of expensive hose out of harm's way. Hose makes smooth transition onto reel to minimize friction.

✓ Innovative braking mechanism

Series C reels feature a unique friction brake that prevents de-spooling of hose while reel is not in use.

Reelcraft Industries, Inc.
2842 E. Business Hwy. 30
Columbia City, IN 46725
Fax: 260-248-2605

Toll Free Ph: 800-444-3134
Ph: 260-248-8188
www.reelcraft.com
reelcraft@reelcraft.com

