

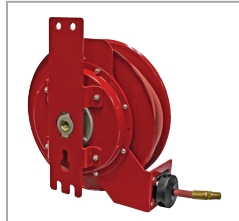
Premium Duty Spring Retractable Reels

Air/Water/Oil/Grease - 1/4", 3/8", 1/2" I.D.

- Compact for a wide range of applications with critical space requirements
- Robotically welded steel base offers maximum strength and consistent quality
- Guide arm adjusts to two positions
- All steel components are powder coated for maximum corrosion resistance
- Hose is plumbed into the base to eliminate the risk of undue stress on the swivel



5650 OLP



Side Mount Reels

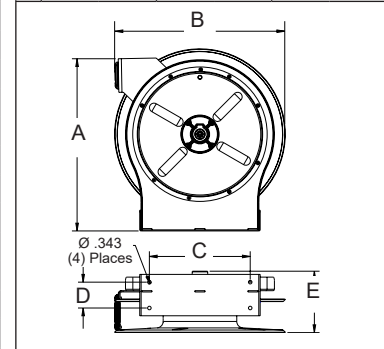
Visit reelcraft.com/catalog for side mount reels.

Additional Series 5000 / 5005 Models

- Enclosed Reels** - Page 11
- Cord Reels** - Page 30-33
- Stainless Steel** - Page 19
- Welding Gas** - Page 35
- Twin Hydraulic** - Page 22

Model with hose & bumper	Shipping Weight		Hose I.D.		Hose O.D.		Hose Length		Max Pressure		NPT(M) Hose Outlet	NPT(F) Reel Inlet	NPT(F) Reel Outlet	Size Index #	
	lbs	kg	in	mm	in	mm	ft	m	psi	bar	in	in	in		
Low Pressure Air/Water Reels												Maximum Temperature 150 °F (65 °C)		Max working pressure is at 70 °F (20 °C)	
5450 OLP	26	12	1/4	6	.475	12	50	15	300	21	1/4	3/8	1/4	1	
5450 OLP-HTH*	26	12	1/4	6	.475	12	50	15	300	21	1/4	3/8	1/4	1	
5635 OLP	25	11	3/8	10	.600	15	35	11	300	21	1/4	3/8	1/4	1	
B5635 OLP	25	11	3/8	10	.600	15	35	11	300	21	1/4	3/8	1/4	1	
5650 OLP***	36	16	3/8	10	.600	15	50	15	300	21	1/4	3/8	1/4	2	
B5650 OLP	36	16	3/8	10	.600	15	50	15	300	21	1/4	3/8	1/4	2	
A5825 OLP	27	12	1/2	13	.750	19	25	8	300	21	1/2	3/8	1/2	1	
B5825 OLP	27	12	1/2	13	.750	19	25	8	300	21	1/2	3/8	1/2	1	
A5835 OLP	39	18	1/2	13	.750	19	35	11	300	21	1/2	3/8	3/8	2	
A5850 OLP***	41	19	1/2	13	.750	19	50	15	300	21	1/2	3/8	1/2	3	
B5850 OLP	41	19	1/2	13	.750	19	50	15	300	21	1/2	3/8	1/2	3	
Medium Pressure Oil Reels												Maximum Temperature 210 °F (99 °C)			
5630 OMP	31	14	3/8	10	.690	18	30	9	2600	179	3/8	3/8	3/8	1	
A5825 OMP**	34	15	1/2	13	.820	21	25	8	3000	207	1/2	3/8	1/2	1	
A5835 OMP	42	19	1/2	13	.820	21	35	11	3000	207	1/2	3/8	1/2	2	
High Pressure Grease Reels												Maximum Temperature 210 °F (99 °C)			
5430 OHP	30	14	1/4	6	.580	15	30	9	5000	345	1/4	1/4	1/4	1	
5625 OHP	32	15	3/8	10	.730	19	25	8	4800	331	1/4	1/4	1/4	1	

	Dimensions					
	1		2		3	
	in	mm	in	mm	in	mm
A	14 ³ / ₈	365	17 ⁵ / ₈	448	17 ⁵ / ₈	448
B	14 ¹ / ₂	362	16 ³ / ₄	425	16 ³ / ₄	425
C	9 ³ / ₄	248	9 ³ / ₄	248	9 ³ / ₄	248
D	2 ¹ / ₂	64	2 ¹ / ₂	64	2 ¹ / ₂	64
E	6 ¹ / ₈	156	5 ⁷ / ₈	149	7 ¹ / ₄	184



Low pressure reels furnished standard with PVC hose. Compressed air hoses should not be converted to oxygen service - may cause explosion when O₂ mixes with fuel. Medium pressure reels furnished standard with S.A.E. 100R1-AT (3/8") or S.A.E. 100R17 (1/2") one wire braid hose. High pressure reels furnished standard with S.A.E. 100 R2T two wire braid hose. *Model is supplied with low pressure, rubber hose for applications up to 210 °F. **Floor or tank mount only - Do NOT mount on ceiling. *** Side mount configuration available; visit reelcraft.com for more information.

Series 5000/5005 and A5000/A5005 reels include a speed latch mechanism that uses a cam and disc for quiet operation.

Series B5000/B5005 reels includes a ratchet latch mechanism that produces a distinct "clicking" noise while in use.

See operating instructions for optimum mounting configuration.

Model without hose & bumper	Shipping Weight		Hose Capacity			Max Pressure		NPT(F) Reel Inlet	NPT(F) Reel Outlet	Size Index #			
	lbs	kg	I.D.	O.D.	Length	psi	bar	in	in				
Low Pressure Air/Water Reels													
Maximum Temperature 210 °F (99 °C)													
5400 OLP	20	9	1/4	6	.475	12	50	15	500	35	3/8	1/4	1
5600 OLP	21	10	3/8	10	.600	15	35	11	500	35	3/8	1/4	1
5605 OLP	21	10	3/8	10	.600	15	50	15	500	35	3/8	1/4	2
A5800 OLP	22	10	1/2	13	.750	19	25	8	500	35	3/8	1/2	1
A5806 OLP	35	16	1/2	13	.750	19	50	15	500	35	3/8	1/2	3
Medium Pressure Oil Reels													
Maximum Temperature 210 °F (99 °C)													
5400 OMP	23	10	1/4	6	.530	13	35	11	3000	207	3/8	3/8	1
5600 OMP	24	11	3/8	10	.690	18	30	9	3000	207	3/8	3/8	1
A5800 OMP**	24	11	1/2	13	.820	21	25	8	3000	207	3/8	1/2	1
High Pressure Grease Reels													
Maximum Temperature 210 °F (99 °C)													
5400 OHP	23	10	1/4	6	.580	15	30	9	5000	345	1/4	1/4	1
5405 OHP	33	15	1/4	6	.580	15	35	11	5000	345	1/4	1/4	2



Interactive Reel Catalog

Visit reelcraft.com/catalog for complete product specifications, available parts, and accessories.



Pivot Bases & Swing Brackets

See page 43