

AV4425 OLPBWL

Air Vend Hose Reel

New Product Announcement

DESCRIPTION

The AV4425 OLPBWL from Reelcraft is designed for air service. The reel is our most compact design able to handle 25' of 1/4". It is small enough to be incorporated into air service stations or inside cabinets on trucks and comes from the factory constant tension without a latch pawl. It utilizes a "jump guard" to eliminate the possibility of hose jumping off the spool due to extremely violent return or operator error. It comes with a tougher one wire braid hose to resist abrasion and crushing.

BENEFITS

- **Compact** Designed for tight spaces so that it may be mounted in cabinetry
- **Durable** Reel is made from heavy gauge industrial steel and hose is abrasion/crush resistant one wire braid.
- **Corrosion Resistant** Components are individually powder coated prior to assembly for a nearly impervious uniform finish.
- **Ease of Use** External guard eliminates the possibility of hose "jumping" off the spool during rewind.
- **Serviceable** External swivel design offers easy access to serviceable parts.



Model Shown:
AV4425 OLPBWL

RELATED PRODUCTS

Reelcraft offers a complete line of over 2,500 hose, cord and cable reels. For more information visit us on the web at www.reelcraft.com.

ACCESSORIES

ACCESSORY	DESCRIPTION	WEIGHT	
		lbs	kg
602366	Jump Guard 4000 Series	3	1.36
HR1145	Cabinet Roller Guide	.5	.23



Model Shown:
AV4425 OLPBWR

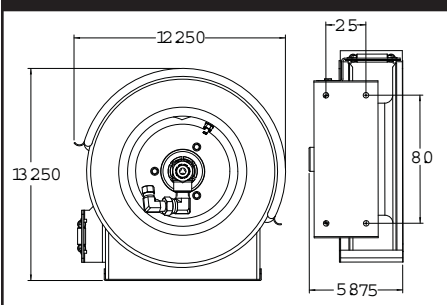
MODELS WITH HOSE

HOSE CAPACITY

MODEL	WEIGHT		PRESSURE		I.D.		O.D.		(M)NPTF OUTLET	(F)NPTF INLET	INLET CONNECTION LOCATION	LENGTH ft / m
	lbs / kg	psi / bar	in / mm	in / mm	in	in	in	in				
LOW PRESSURE REEL - Maximum Temperature 150°F (65°C)												
AV4425 OLPBWL	18 8	300 21	1/4 6	.530 14	1/4	3/8	Swivel Side	25 8				
AV4425 OLPBWR	18 8	300 21	1/4 6	.530 14	1/4	3/8	Spring Case Side	25 8				

NOTE: reels come from factory in bottom wind position and are constant tension.

DIMENSIONS



Four 5/16" (8mm) diameter mounting holes

SPECIFICATIONS

- ✓ Inlet on either side: AV4425 OLPBWL (left) & AV4425 OLPBWR (right)
- ✓ S.A.E 100 R1T one wire braid hose with high quality crimpings and stop
- ✓ Protective hose "jump guard"
- ✓ Enhanced swivel is designed for more extreme applications
- ✓ Individual components receive a baked-on powder coat paint
- ✓ Nylon composite 4-way guide roller
- ✓ Made from industrial grade steel and engineered with gussets & structural forms
- ✓ Reels are constant tension (cabinet roller available as an accessory)

North America: 800-444-3134
 Europe: +44 (0) 1536 406999
 Pacific Rim: +63 (45) 625-6624
 China: (519) 8512 2391
 Latin America: 002-60-489-1685

Reelcraft Industries, Inc.

2842 E. Business Highway 30
 Columbia City, IN 46725
 Fax: 260-248-2605
www.reelcraft.com



AV4425 OLPBWL / AIR VEND HOSE REEL