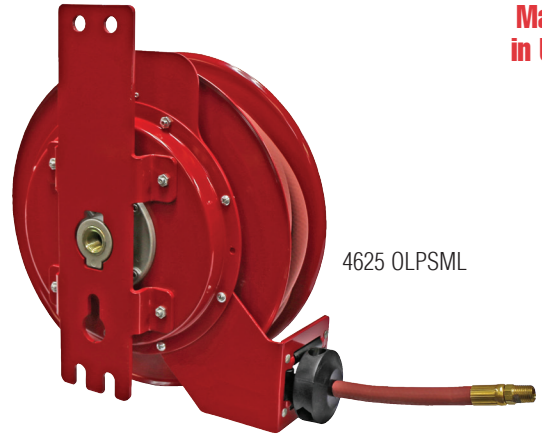


# New Product Announcement | Series 4000 / 5000 / 5005



## Side Mount Reels Series 4000 / 5000 / 5005

Series 4000, 5000 and 5005 reels yield great strength from a compact, space-saving design. The addition of a rigid side mount allows reels to be mounted on either the right or left hand side. Reels may be ordered from the factory in the desired mounting configuration or easily converted afterward.



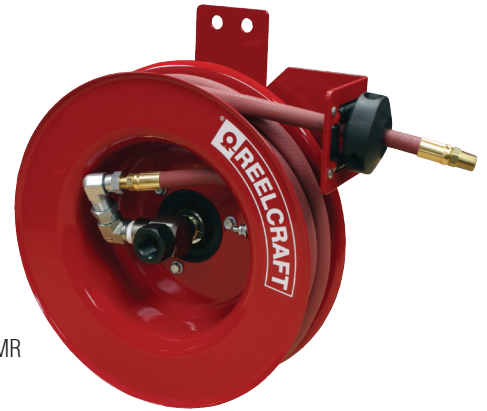
4625 OLPSML

### Benefits

- **Long Service Life** Our balanced swivel design features Aflas® O-rings and has performed exceptionally through extensive field testing.
- **Versatility** Guide arm adjusts to multiple positions with only standard tools.
- **Strength** Reel is made from heavy duty, industrial grade steel and designed with structural forms for added strength and stability.

### Related Products

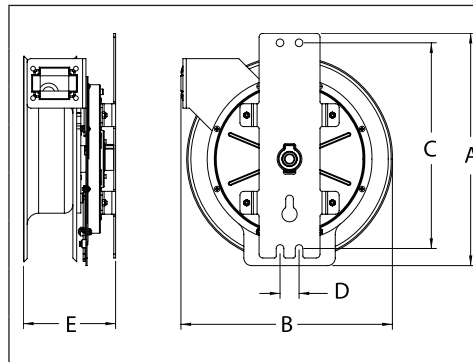
Reelcraft offers a complete line of over 2,500 hose, cord and cable reels. For a complete product listing visit us online at [www.reelcraft.com](http://www.reelcraft.com) or call toll free 800-444-3134.



4625 OLPSMR

### SPECIFICATIONS

- Guide arm adjusts to facilitate right hand (top wind) or left hand (bottom wind) mount
- Quiet, speed latch design has latching point every 180°
- Heavy guage side mount plate has slotted mounting holes
- Can be ordered in right or left-hand configuration or easily adjusts in the field



	Size Index							
	1		2		3		4	
	in	mm	in	mm	in	mm	in	mm
<b>A</b>	14	356	15 <sup>1</sup> / <sub>4</sub>	387	17 <sup>7</sup> / <sub>8</sub>	454	17 <sup>7</sup> / <sub>8</sub>	454
<b>B</b>	12 <sup>1</sup> / <sub>4</sub>	311	13 <sup>3</sup> / <sub>8</sub>	352	16 <sup>1</sup> / <sub>2</sub>	419	16 <sup>1</sup> / <sub>2</sub>	419
<b>C</b>	12	305	13 <sup>1</sup> / <sub>2</sub>	343	15 <sup>7</sup> / <sub>8</sub>	403	15 <sup>7</sup> / <sub>8</sub>	403
<b>D</b>	1 <sup>1</sup> / <sub>4</sub>	32	1 <sup>1</sup> / <sub>4</sub>	32	1 <sup>1</sup> / <sub>4</sub>	32	1 <sup>1</sup> / <sub>4</sub>	32
<b>E</b>	5 <sup>2</sup> / <sub>3</sub>	144	6 <sup>1</sup> / <sub>8</sub>	156	5 <sup>4</sup> / <sub>5</sub>	147	6 <sup>4</sup> / <sub>5</sub>	173

Model with hose (Right Hand Mount)	Shipping Weight		Pressure		Hose I.D.		Hose O.D.		NPT(M) Hose Outlet	NPT(F) Reel Inlet	Hose Length		Model with hose (Left Hand Mount)	Size Index
	lbs	kg	psi	bar	in	mm	in	mm	in	in	ft	m		
<b>4425 OLPSMR</b>	19	9	300	21	1/4	6	.475	12	1/4	1/2	25	8	<b>4425 OLPSML</b>	1
<b>4435 OLPSMR</b>	19	9	300	21	1/4	6	.475	12	1/4	1/2	35	11	<b>4435 OLPSML</b>	1
<b>5450 OLPSMR</b>	26	12	300	21	1/4	6	.475	12	1/4	1/2	50	15	<b>5450 OLPSML</b>	2
<b>4625 OLPSMR</b>	22	10	300	21	3/8	10	.600	15	1/4	1/2	25	8	<b>4625 OLPSML</b>	1
<b>5635 OLPSMR</b>	25	11	300	21	3/8	10	.600	15	1/4	1/2	35	11	<b>5635 OLPSML</b>	2
<b>5650 OLPSMR</b>	36	16	300	21	3/8	10	.600	15	1/4	1/2	50	15	<b>5650 OLPSML</b>	2
<b>A5825 OLPSMR</b>	29	13	300	21	1/2	13	.750	19	1/2	1/2	25	8	<b>A5825 OLPSML</b>	3
<b>A5835 OLPSMR</b>	39	18	300	21	1/2	13	.750	19	1/2	1/2	35	11	<b>A5835 OLPSML</b>	3
<b>A5850 OLPSMR</b>	44	20	300	21	1/2	13	.750	19	1/2	1/2	50	15	<b>A5850 OLPSML</b>	4

Low pressure hose reels furnished with PVC hose. Compressed air hoses should not be converted to oxygen service - may cause explosion when O<sub>2</sub> mixes with fuel. Some models available less hose, as constant tension and/or in other pressures, consult factory.

Customer Service: 1.855.634.9109  
All Other Calls: 1.800.444.3134

[www.reelcraft.com](http://www.reelcraft.com)  
[reelcraft@reelcraft.com](mailto:reelcraft@reelcraft.com)

