

New Product Announcement

Side Mount Reels

Series 4000, 5000 & 5005

Series 4000, 5000 and 5005 reels yield great strength from a compact, space-saving design. The addition of a rigid side mount allows reels to be mounted on either the right or left hand side. Reels may be ordered from the factory in the desired mounting configuration or easily converted afterward.

Benefits

- **Long Service Life** Our balanced swivel design features Aflas® o-rings and has performed exceptionally through extensive field testing.
- **Versatility** Guide arm adjusts to multiple positions with only standard tools.
- **Strength** Reel is made from heavy duty, industrial grade steel and designed with structural forms for added strength and stability.

Related Products

Reelcraft offers a complete line of over 2,500 hose, cord and cable reels. For more information visit us on the web at www.reelcraft.com.



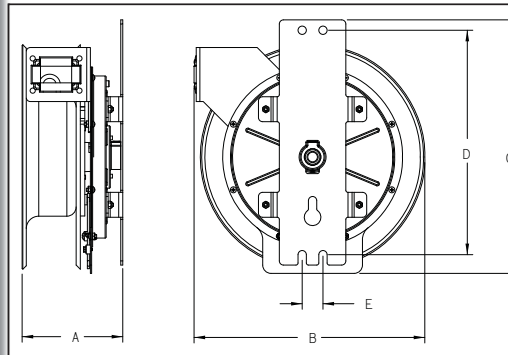
4625 OLPSMR
inlet side shown



5600 OLPSMR
model without hose

SPECIFICATIONS

- Guide arm adjusts to facilitate right hand (top wind) or left hand (bottom wind) mount
- Quiet, speed latch design has latching point every 180°
- Heavy gauge side mount plate has slotted mounting holes
- Can be ordered in right or left-hand configuration or easily adjusts in the field.



Size Index						
No.	1		2		3	
DIM.	in / mm		in / mm		in / mm	
A	5 2/3	144	6 1/8	157	5 4/5	148
B	12 1/4	311	13 7/8	351	16 1/2	419
C	14	356	15 1/4	387	17 7/8	453
D	12	305	13 1/2	343	15 7/8	402
E	1 1/4	32	1 1/4	32	1 1/4	32

Four 5/16" (8mm) diameter mounting holes.



Reelcraft Industries is
ISO 9001:2008
Certified Since 1996

Model with Hose (Right Hand Mount)	Weight lbs / kg	Pressure psi / bar	Hose I.D. in / mm	Hose O.D. in / mm	(M)NPTF Outlet in	(F)NPTF Inlet in	Hose Length ft / m	Model with Hose (Left Hand Mount)	Size Index
Low Pressure Air/Water Reels Maximum Temperature 150° F (65° C)									
4425 OLPSMR	19 9	300 21	1/4 6	.500 13	1/4	3/8	25 8	4425 OLPSML	1
5450 OLPSMR	26 12	300 21	1/4 6	.500 13	1/4	3/8	50 15	5450 OLPSML	2
4625 OLPSMR	22 10	300 21	3/8 10	.640 16	1/4	3/8	25 8	4625 OLPSML	1
5650 OLPSMR	36 16	300 21	3/8 10	.640 16	1/4	3/8	50 15	5650 OLPSML	2
A5825 OLPSMR	29 13	300 21	1/2 13	.781 20	1/2	3/8	25 8	A5825 OLPSML	3
A5850 OLPSMR	44 20	300 21	1/2 13	.781 20	1/2	3/8	50 15	A5850 OLPSML	3

Low pressure hose reels furnished with PVC hose. Compressed air hoses should not be converted to oxygen service - may cause explosion when O₂ mixes with fuel. Some models available less hose, as constant tension and/or in other pressures, consult factory.

Reelcraft Industries, Inc.
2842 E. Business Hwy. 30
Columbia City, IN 46725
Fax: **260-248-2605**

Toll Free Ph: **800-444-3134**
Ph: **260-248-8188**
www.reelcraft.com
reelcraft@reelcraft.com

