

# New Product Announcement

## Enclosed Reels

### Series 5000, 7000 and 8000

Series 5000, 7000 and 8000 enclosed reels feature a steel enclosure that offers an additional level of protection for the hose from potentially harmful foreign debris. These reels are designed such that removing the cover on either side will allow access to the majority of serviceable parts. A full flow shaft and swivel assure maximum product delivery. Reels come from the factory in standard top wind position (pictured), but are also available in side and bottom wind. Steel components are individually powder coated prior to assembly. Cast guide assembly offers four nylon guide rollers to guard hose from wear due to angular hose pull.

## Benefits

- **Protection** Hose is shielded from possibly harmful dirt, grime and debris while on reel, keeping expensive hoses in operation longer. Bearing surfaces are completely shielded allowing for smooth operation in dirty environments.
- **Heavy Duty Construction** Series 5000 and 7000 reels are constructed from industrial grade steel and feature a cast guide assembly. Series D8000 reels have a cast aluminum base.
- **Long Service Life** Reelcraft reels incorporate a corrosion resistant finish, field proven swivel and superior strength of design into every reel we make.

## Related Products

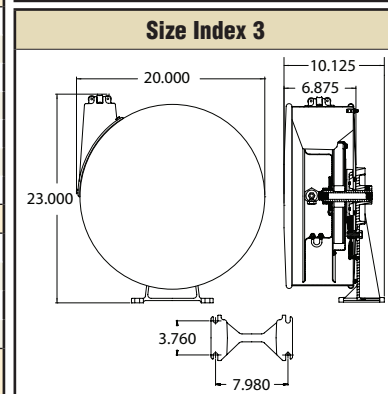
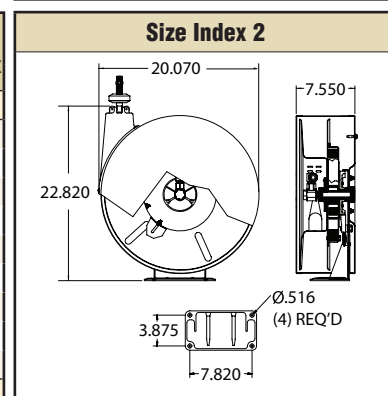
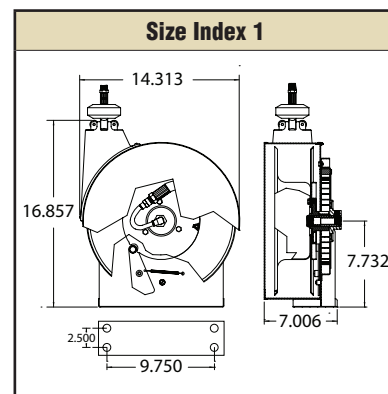
Reelcraft offers a broad range of over 2,500 standard hose, cord and cable reels. We have full engineering capabilities at our manufacturing facility in Columbia City, IN. For a more complete listing of our products, product details, and engineering capabilities visit us online at [www.reelcraft.com](http://www.reelcraft.com).



7650 ELP



5450 ELP



| Model with Hose   | Shipping Weight |           | Pressure |         | Hose I.D. |     | Hose O.D. |            | (M)NPTF Outlet | (F)NPTF Inlet | Hose Length |  | Model without hose & bumper | Shipping Weight |  | Pressure |  | Size Index |
|---|-----------------|-----------|----------|---------|-----------|-----|-----------|------------|----------------|---------------|-------------|--|-----------------------------|-----------------|--|----------|--|------------|
|   | lbs / kg        | psi / bar | in / mm  | in / mm | in        | in  | ft / m    | lbs / kg   | psi / bar      |               |             |  |                             |                 |  |          |  |            |
| <b>Low Pressure Enclosed Air/Water Reels</b> Maximum Temperature 150° F (65° C) |                 |           |          |         |           |     |           |            |                |               |             |  |                             |                 |  |          |  |            |
| 5435 ELP  | 32 14           | 300 21    | 1/4 6    | .475 12 | 1/4       | 3/8 | 35 11     | 5400 ELP   | 28 13          | 500 35        | 1           |  |                             |                 |  |          |  |            |
| 5450 ELP  | 34 15           | 300 21    | 1/4 6    | .475 12 | 1/4       | 3/8 | 50 15     | 5400 ELP   | 28 13          | 500 35        | 1           |  |                             |                 |  |          |  |            |
| 5635 ELP  | 33 15           | 300 21    | 3/8 10   | .600 15 | 1/4       | 3/8 | 35 11     | 5600 ELP   | 29 13          | 500 35        | 1           |  |                             |                 |  |          |  |            |
| 7650 ELP  | 60 27           | 300 21    | 3/8 10   | .600 15 | 1/4       | 1/2 | 50 15     | 7600 ELP   | 57 26          | 500 35        | 2           |  |                             |                 |  |          |  |            |
| D8650 ELP   | 62 28           | 300 21    | 3/8 10   | .600 15 | 1/4       | 1/2 | 50 15     | D8600 ELP  | 57 26          | 500 35        | 3           |  |                             |                 |  |          |  |            |
| D8670 ELP   | 64 29           | 300 21    | 3/8 10   | .600 15 | 1/4       | 1/2 | 70 21     | D8600 ELP  | 57 26          | 500 35        | 3           |  |                             |                 |  |          |  |            |
| A5825 ELP*  | 47 21           | 300 21    | 1/2 13   | .750 19 | 1/2       | 3/8 | 25 8      | A5800 ELP* | 30 14          | 500 35        | 1           |  |                             |                 |  |          |  |            |
| 7850 ELP  | 64 29           | 300 21    | 1/2 13   | .750 19 | 3/8       | 1/2 | 50 15     | 7800 ELP   | 58 26          | 500 35        | 2           |  |                             |                 |  |          |  |            |
| D8850 ELP   | 64 29           | 300 21    | 1/2 13   | .750 19 | 3/8       | 1/2 | 50 15     | D8800 ELP  | 58 26          | 500 35        | 3           |  |                             |                 |  |          |  |            |
| <b>Medium Pressure Enclosed Oil Reels</b> Maximum Temperature 210° F (99° C)    |                 |           |          |         |           |     |           |            |                |               |             |  |                             |                 |  |          |  |            |
| 5630 EMP  | 39 18           | 2600 179  | 3/8 10   | .710 18 | 3/8       | 3/8 | 30 9      | 5600 EMP   | 32 14          | 3000 207      | 1           |  |                             |                 |  |          |  |            |
| 7650 EMP  | 72 33           | 2600 179  | 3/8 10   | .710 18 | 3/8       | 1/2 | 50 15     | 7600 EMP   | 60 27          | 3000 207      | 2           |  |                             |                 |  |          |  |            |
| D8650 EMP   | 64 29           | 2600 179  | 3/8 10   | .710 18 | 3/8       | 1/2 | 50 15     | D8600 EMP  | 60 27          | 3000 207      | 3           |  |                             |                 |  |          |  |            |
| A5825 EMP   | 34 15           | 3250 224  | 1/2 13   | .850 22 | 1/2       | 3/8 | 25 8      | A5800 EMP  | 32 15          | 3250 224      | 1           |  |                             |                 |  |          |  |            |
| 7830 EMP  | 69 31           | 3250 224  | 1/2 13   | .850 22 | 1/2       | 1/2 | 30 9      | 7800 EMP   | 60 27          | 3250 224      | 2           |  |                             |                 |  |          |  |            |
| 7850 EMP  | 74 34           | 3250 224  | 1/2 13   | .850 22 | 1/2       | 1/2 | 50 15     | 7800 EMP   | 60 27          | 3250 224      | 2           |  |                             |                 |  |          |  |            |
| D8850 EMP   | 74 34           | 3250 224  | 1/2 13   | .850 22 | 1/2       | 1/2 | 50 15     | D8800 EMP  | 60 27          | 3250 224      | 3           |  |                             |                 |  |          |  |            |
| <b>High Pressure Enclosed Grease Reels</b> Maximum Temperature 210° F (99° C)   |                 |           |          |         |           |     |           |            |                |               |             |  |                             |                 |  |          |  |            |
| 5430 EHP  | 38 17           | 5000 345  | 1/4 6    | .580 15 | 1/4       | 1/4 | 30 9      | 5400 EHP   | 31 14          | 5000 345      | 1           |  |                             |                 |  |          |  |            |
| 7450 EHP  | 72 33           | 5000 345  | 1/4 6    | .580 15 | 1/4       | 1/2 | 50 15     | 7000 EHP   | 60 27          | 5000 345      | 2           |  |                             |                 |  |          |  |            |
| 5625 EHP  | 40 18           | 4800 331  | 3/8 10   | .730 19 | 1/4       | 1/4 | 25 8      | 5600 EHP   | 34 15          | 5000 345      | 1           |  |                             |                 |  |          |  |            |
| 7650 EHP  | 77 35           | 4800 331  | 3/8 10   | .730 19 | 1/4       | 1/2 | 50 15     | 7600 EHP   | 63 28          | 5000 345      | 2           |  |                             |                 |  |          |  |            |

Low pressure hose reels furnished with PVC hose. Medium pressure reels furnished with S.A.E. 100 R1T one wire braid hose or equivalent. High pressure reels furnished standard with S.A.E. 100 R2T two wire braid hose. \*Floor tank mount only - do not mount on ceiling.

**Reelcraft Industries, Inc.**  
2842 E. Business Hwy. 30  
Columbia City, IN 46725  
Fax: 260-248-2605

Toll Free Ph: 800-444-3134  
Ph: 260-248-8188  
[www.reelcraft.com](http://www.reelcraft.com)  
[reelcraft@reelcraft.com](mailto:reelcraft@reelcraft.com)

