



LevelMaster - Capacitive Sensors Series 26
Series 700 - NPN
Series 800 - PNP



Model G 1"

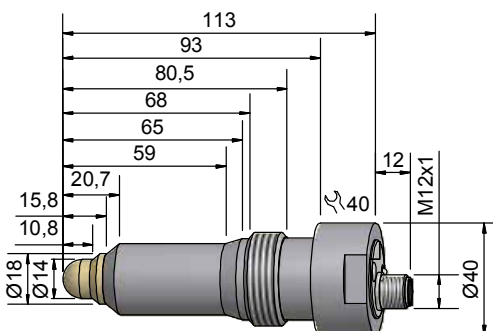
- For level control of conductive liquid or pastes, for instance oil, water or ketchup.
- Housing material: Stainless steel VA
- Antivalent output (NO + NC)
- ETW- Function (EasyTeach by wire)
- Process connection G 1"
- With flange connector M 12 x 1
- Ideal for applications in the food or pharmaceutical industry

EasyTeach

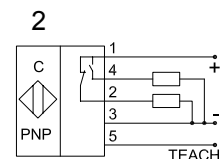
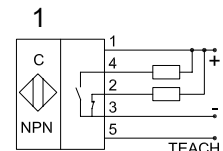
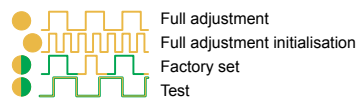
Certifications: EHDG conform

Technical data	Non-flush mountable
Sensitivity	Dielectric constant $\epsilon_r > 1.25$
Electrical version	4-pin DC
Output function	Antivalent (NO +NC)
Type NPN	KS-700-26-A-PEEK/VA-G1"-Y10-ETW
Art. No.	KA 1131
Connection diagram No.	1
Typ PNP	KS-800-26-A-PEEK/VA-G1"-Y10-ETW
Art. No.	KA 1135
Connection diagram No.	2
Operating voltage (U_b)	12.5...35 V DC
Output current max. (I_o)	250 mA
Voltage drop max. (U_o)	≤ 2.0 V
No-load current (I_o)	Typ. < 20 mA
Frequency of operating cycles max.	1 Hz
Permitted ambient temperature	-10...+70 °C / CIP 121 °C (zero-current)
Permitted product temperature	0...+100 °C
LED-display	Green / yellow
Protective circuit	Built-in
Degree of protection IEC 60529	IP 67, IP 69K
Norm	EN 60947-5-2*
Connection	Connector M 12 x 1
Operating pressure	Max. 10 bar
Housing material	VA No. 1.4305
Material active surface	PEEK (FDA 21 CFR 177.2415)
Material lid	PA

*Where applicable



EasyTeach chart:
 LED / Output function
 Yellow = A1
 Green = A2



Made in Germany

All specifications are subject to change without notice. (06/2013)