



**Capacitive Sensors - Sensor In Black**  
**Series 70 - NPN**  
**Series 80 - PNP**

**Housing M32 x 1.5**

- Housing material: PA
- Non-flush mountable
- Sensing distance 3...30 mm adjustable
- With special EMC protection against high static charges
- With metal flange connector M12 x 1

Certificate:

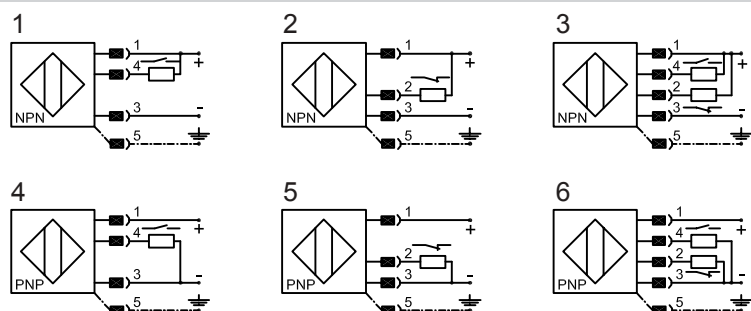
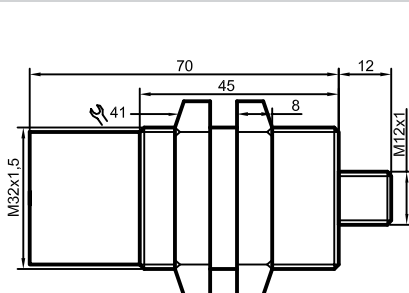


**Technical data**

Operating distance $S_n$ [mm], flush mounting	15, no
Operating distance min./max. [mm] adjustable	3...30
Electrical version	5-pin DC
Output	antivalent
<b>Type NPN</b>	<b>KAS-70-35-A-K-M32-EST-Y10</b>
<b>Art.-No.</b>	<b>720 501</b>
<b>Connection diagram No.</b>	<b>3</b>

<b>Type PNP</b>	<b>KAS-80-35-A-K-M32-EST-Y10</b>
<b>Art.-No.</b>	<b>820 501</b>
<b>Connection diagram No.</b>	<b>6</b>

Operating voltage ( $U_B$ )	10...35 V DC
Output current max. ( $I_o$ )	2 x 250 mA
Load current min.	-
Voltage drop max. ( $U_d$ )	$\leq 2.0$ V
Permitted residual ripple max.	10 %
No-load current ( $I_o$ )	typ. 15 mA
Frequency of operating cycles max.	50 Hz
Permitted ambient temperature	-25...+70°C
LED-display	green/yellow
Protective circuit	built-in
Degree of protection IEC 529	IP 67
Connection	metal flange connector M12 x 1
Housing material	PA
Active surface	PA
Lid	PA



All specifications are subject to change without notice. (08/2004)