

# Rapidrop® Flexible Sprinkler Connection

## (For Wet Pipe Sprinkler Systems)

### Description

The unique Rapidrop® system easily positions the sprinkler in the centre of the ceiling tile at the correct height and can be installed in 10 to 15 minutes. The concept is very simple and breathtakingly efficient.

Rapidrop® is a complete unit, a corrugated stainless steel flexible with nipple, reducer, bar and brackets, which are fitted to the ceiling tile support rails to locate and secure the sprinkler in the correct position. As well as considerably reduced installation time, the risk of mess (from the cutting and threading activity associated with the traditional armover method) in the clean area below the suspended ceiling is eliminated, allowing other activities to proceed more efficiently.

UL Listed / LPCB Approved



### Pressure Rating

Max. Service Pressure:

LPCB 16 Bar

UL 12 Bar

Inlet

R1 or R1.1/4 or 1" NPT

Outlet

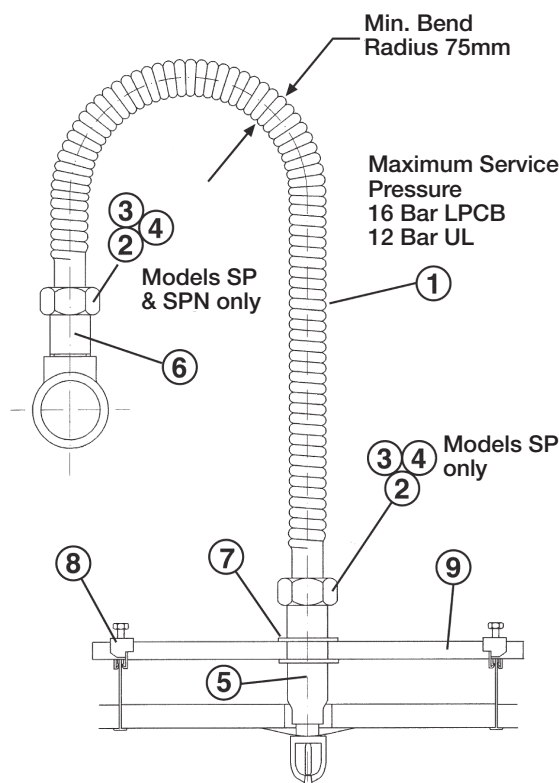
A = Rc1/2 or 1/2" NPT

B = Rc3/4 or 3/4" NPT

C = R1 (External Thread)

### Standard Lengths

| Product          | Length | Equivalent Pipe Length |                  |
|------------------|--------|------------------------|------------------|
|                  |        | UL Schedule 40         | LPCB BS EN 10255 |
| Rapidrop® SP-1AS | 0.70m  | 5.5m                   | 5.1m             |
| Rapidrop® SP-1A  | 0.78m  | 8.2m                   | 6.0m             |
| Rapidrop® SP-2AS | 1.00m  | 13.4m                  | 8.5m             |
| Rapidrop® SP-2A  | 1.22m  | 16.2m                  | 11.0m            |
| Rapidrop® SP-3A  | 1.54m  | 20.7m                  | 14.2m            |
| Rapidrop® SP-4A  | 1.88m  | 22.3m                  | 18.2m            |
| Rapidrop® SP-5A  | 2.54m  | -                      | 25.2m            |
| Rapidrop® SP-6A  | 3.22m  | -                      | 32.5m            |



### Material Specification

| Ref | MODEL SP       |     | MODEL SPN                |     | MODEL SPW                |     |                        |
|-----|----------------|-----|--------------------------|-----|--------------------------|-----|------------------------|
| No. | Description    | Qty | Material                 | Qty | Material                 | Qty | Material               |
| 1   | Flexible       | 1   | AISI 304                 | 1   | AISI 304                 | 1   | AISI 304               |
| 2   | Nut            | 2   | SS400 Zinc Plated        | 1   | SS400 Zinc Plated        | Nil | Not Applicable         |
| 3   | Isolation Ring | 2   | Nylon 66                 | 1   | Nylon 66                 | Nil | Not Applicable         |
| 4   | Packing (Seal) | 2   | NBR                      | 1   | NBR                      | Nil | Not Applicable         |
| 5   | Reducer        | 1   | Carbon Steel Zinc Plated | 1   | ASIM IP304               | 1   | ASIM IP304             |
| 6   | Nipple         | 1   | Carbon Steel Zinc Plated | 1   | Carbon Steel Zinc Plated | 1   | ASIM IP304             |
| 7   | Bracket A      | 1   | Mild Steel Zinc Plated   | 1   | Mild Steel Zinc Plated   | 1   | Mild Steel Zinc Plated |
| 8   | Bracket B      | 2   | Mild Steel Zinc Plated   | 2   | Mild Steel Zinc Plated   | 2   | Mild Steel Zinc Plated |
| 9   | Square Bar     | 1   | Mild Steel Zinc Plated   | 1   | Mild Steel Zinc Plated   | 1   | Mild Steel Zinc Plated |

### Benefits

- Save Time
- No Cutting
- No Welding
- Save Labour
- No Threading
- No Mess - Clean
- Save Money
- No Oil
- Ideal for Retrofit Applications
- No Measuring
- No Grease
- Easy to move for layout changes

### Rapidrop Global

Rutland Business Park, Newark Road, Peterborough, PE1 5WA, United Kingdom

Tel: +44 (0) 1733 847 510 Fax: +44 (0) 1733 553 958

e-mail: [rapidrop@rapidrop.com](mailto:rapidrop@rapidrop.com) web: [www.rapidrop.com](http://www.rapidrop.com)