

Foam Chamber - Model F

TECHNICAL DATA :

MODEL	F
SIZE	50, 65, 80, 100 & 150 NB inlet
WORKING PRESSURE	Minimum 2.8 Kg. / sq. cm. (40 PSI) Maximum 7 Kg. / sq.cm. (100 PSI)
FLANGE CONNECTION	ANSI B16.5 Class 150#
APPROXIMATE WEIGHT	F 50 - 28.0 Kg. F 65 - 40.0 Kg. F 80 - 58.0 Kg. F 100 - 86.0 Kg. F 150 - 118.0 Kg.
VAPOUR SEAL	0.7 to 1.75 Kg./sq.cm.(10 PSI to 25 PSI)
RUPTURE PRESSURE	Running water/Water foam solution pressure at the inlet of Foam Chamber.
MAXIMUM PERMISSIBLE BACK PRESSURE ON VAPOUR SEAL	0.06 Kg./sq.cm. (0.9 PSI)
FINISH	Red epoxy painted
ORDERING INFORMATION	a) Model and size b) Inlet pressure. c) Foam solution flow reqd. d) Inlet, outlet flange specification. e) Type of foam concentrate used.

APPLICATION

Foam Chamber is used in one of the most common application to protect vertical fixed roof (cone) liquid storage tanks, with or without internal floating roof with the low expansion foam system. The application of foam is on the basis that the risk comprises the total surface area of the fuel. The foam system design guidelines generally used are in accordance with NFPA-11, standard.

Foam Chambers are defined by NFPA-11 as Type II discharge outlets for delivering the foam to the surface of a flammable liquid. The Foam Chambers are widely used with the In-line foam inductor, Balance pressure foam proportioning system, Bladder tank proportioner or Foam tender.



SPECIFICATION

Foam Chamber is an air aspirating foam discharge device, available in five sizes, covering wide range of flow from 75 to 3600 litres per minute at 3 to 7 kg/sq.cm inlet pressure. The foam chamber contains a vapour seal to prevent the entry of vapour into the foam chamber and the foam solution pipe. Each foam chamber is supplied with an orifice plate, designed for the required flow and inlet pressure. The orifice is field replaceable in the event of change in design parameters. The foam is produced by introducing air into the foam solution stream. The inlet of foam chamber is designed to create venturi jet which draws air into the foam solution stream. The air is drawn into the foam solution through the holes located on the Foam chamber covered with stainless steel screen to exclude nesting birds and insects. The aerated foam is directed into the deflector for the gentle application of the expanded foam. The deflectors are available in different models.

The Foam Deflector is used with the Foam Chamber. The aerated foam from the Foam Chamber is directed in to the deflector for the gentle application of the expanded foam. The deflector reduces the expanded foam velocity and allows the foam to slide down the tank wall.

SYSTEM DESIGN REQUIREMENT

The NFPA-11, a standard for low expansion foam, has provided the essential requirement of an appropriate designed foam pouring system, which are identified and outlined as below:

Foam Chamber - Model F

a) Number of Foam Chamber

The number of Foam Chambers required is determined by the tank diameter. Where two or more Foam Chambers are required, they shall be spaced equally around the tank periphery and each Foam Chamber shall be sized to deliver foam at an approximately same rate. Please refer graph to select the unit that will provide the required minimum foam solution application rate at the available operating pressure of the Foam Chamber. For minimum number of Foam Chamber requirement, kindly follow the recommendations as per NFPA/OISD/TAC or as per the governmental codes or ordinances wherever applicable.

b) Minimum Foam Solution Application Rate

The minimum foam solution application rate is the rate at which the water and foam concentrate in correctly proportioned ratio should be delivered to the surface of a storage tank under protection to control and extinguish the fire. For minimum application rate requirement follow the recommendations as per NFPA/OISD/TAC or governmental codes or ordinances wherever applicable

Testing And Maintenance

Qualified and trained person must commission the system. After few initial successful tests an authorized person must be trained to perform inspection and testing of the system. It is recommended to carry out physical inspection of the system regularly. The system must be fully tested at least once in a year or in accordance with applicable NFPA/OISD/TAC standards or in accordance to the standard of the organization having local jurisdiction.

Do not turn off the system or any valve to make repair or test the system, without placing a roving Fire Patrol in the area covered by the system. The Patrol should continue until the system is put back in service. Also inform the local security guard and control alarm station, so that avoid false alarm.

Each system is to be flushed properly. The vapour seal is to be replaced if the system has been operated. Normal testing of the chamber can be carried out by disconnecting the Foam Chamber from the tank and rotating it 180° and removing the vapour seal.

The air screen is to be inspected periodically for the obstruction of air inlet holes. If any obstruction is noticed, remove the same and flush, if necessary.

It is recommended to have regular maintenance programme to inspect the foam maker discharge area and deflector for possible deposits or obstruction.

NOTE

A PROVISION IS TO BE MADE FOR PRESSURE GAUGE MOUNTING AT INLET OF FOAM CHAMBER, WHICH CAN BE PLUGGED AFTER SUCCESSFUL COMMISSIONING OF THE SYSTEM. THIS WILL HELP TO ANALYSE THE SYSTEM WHILE COMMISSIONING.

Selection Of RD Foam Chamber (Model - F)

SIZE OF FOAM CHAMBER	K-FACTOR
50 NB	43.4 to 127
65 NB	115.4 to 254
80 NB	230.9 to 508
100 NB	461.8 to 1016
150 NB	923.6 to 1524.2

To select the size of the Foam Chamber use the following formula

$$Q = K \sqrt{P}$$

Q = Total solution flow in litres per minute.

K = Constant for Foam Chamber

P = Inlet pressure in kg/sq.cm.

Example

To find K-Factor

Q = 300 LPM

P = 3.5 Kg/sq.cm.

$$K = 300 \div \sqrt{3.5} = 160.35$$

This K-Factor falls within the range of the Foam Chamber having 65 NB size. Hence 65 NB size Foam Chamber should be selected.

The Foam Chamber size may also be selected with the help of the graph.

Example calculation

Tank type : Fixed roof storage tank

Tank diameter : 40 meters.

Foam concentrate to be used : AFFF 3%

Pressure at inlet of Foam Chamber : 3.5 kg/sq.cm.

Flash point of liquid stored in tank : - 27°C.

$$\begin{aligned} \text{Surface area} &= \pi d^2 \div 4 = (3.14 \times 40^2) \div 4 \\ &= 1256 \text{ Sq. mts.} \end{aligned}$$

a) Foam solution application rate

$$= *4.1 \text{ LPM /Sq. mts.} \times \text{Surface area}$$

$$= 4.1 \times 1256$$

$$= 5150 \text{ LPM}$$

*4.1 LPM is as per NFPA-11 (5 LPM as per OISD recommendations) or it should be as per prevailing rules of local authority having jurisdiction.

b) Number of Foam Chamber required for 40 metres diameter tank = 3 nos. minimum. (Ref.NFPA-11)

Capacity of Foam Chamber required

$$= 5150 \div 3$$

$$= 1717 \text{ LPM}$$

The K-Factor for flow of 1717 LPM at 3.5 kg./sq.cm.

$$K = Q \div \sqrt{P} = 1717 \div \sqrt{3.5}$$

$$= 917.77$$

The K-Factor (917.77) falls within the K-Factor of 100 NB size of the Foam Chamber. Hence three numbers of 100 NB Foam Chamber with 1717 LPM capacity at 3.5 kg./sq.cm inlet pressure are to be selected.

Foam Chamber - Model F

Note

The above calculations are theoretical working. The system designer has to consider factor of safety in his working.

c) Foam Concentrate Requirement :

The fuel stored has flash point of 27°C. So the minimum system running duration required is 55 minutes. (Reference NFPA11)

$$\begin{aligned}
 \text{The foam concentrate required} &= \left[\begin{array}{c} \text{foam solution} \\ \text{application} \\ \text{rate in LPM} \end{array} \right] \times \left[\begin{array}{c} \text{percentage} \\ \text{of foam} \\ \text{concentrate} \end{array} \right] \times \left[\begin{array}{c} \text{system} \\ \text{running} \\ \text{time} \end{array} \right] \\
 &= 5154 \times \frac{3}{100} \times 55 \\
 &= 8505 \text{ litres.} \\
 \text{Add 5\%} &= 8930 \text{ litres.}
 \end{aligned}$$

The supplementary hose stream requirement is also to be considered and 100% reserve stock to be maintained or as per local authority having jurisdiction.

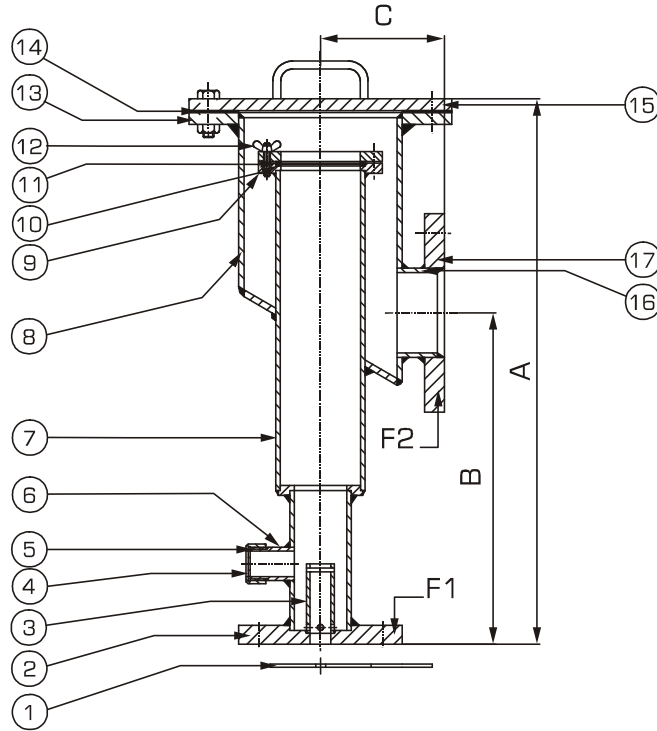
The additional quantity of 5% is general guideline, however system designer has to work-out this percentage considering factor of safety, pipeline, minimum level for induction in storage tanks etc.

Note

1. It is recommended to select next higher size of Foam Chamber when the K-Factor is very much close to higher range of the model.
2. For the best performance the inlet pressure at the Foam Chamber should be 2.8 kg/sq.cm. or higher.

Foam Chamber - Model F

FOAM CHAMBER



DIMENSION in millimetre (Approximate)

INLET (F1)	OUTLET (F2)	A	B	C
50NB	80NB	550	300	125
65NB	100NB	650	400	175
80NB	150NB	800	500	225
100NB	200NB	950	575	275
150NB	250NB	1100	650	325

I Dimension of inlet / outlet flanges (F1 / F2) are as per ANSI B16.5

I Pipes used are ERW (Seamless Pipes are optional)

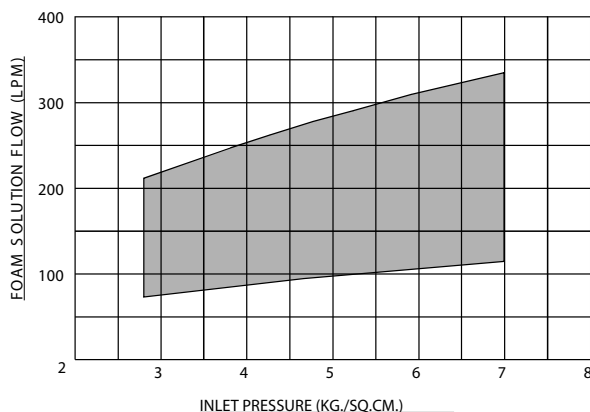
PART LIST

ITEM NO.	DESCRIPTION	MATERIAL SPECIFICATION
1	ORIFICE PLATE	S.S. 304
2	INLET FLANGE	STEEL ASTM A105
3	AERATING PIPE	STEEL PIPE
4	AIR STRAINER	S.S. 304
5	AIR STRAINER CAP	AL. ALLOY
6	AIR INLET PIPE	STEEL PIPE
7	VAPOUR SEAL CHAMBER	STEEL PIPE
8	FOAM CHAMBER	STEEL PIPE
9	VAPOUR SEAL SEAT & RING	STEEL
10	VAPOUR SEAL GASKET	NEOPRENE
11	VAPOUR SEAL	GLASS
12	WING NUT & STUD	S.S. 304
13	CHAMBER FLANGE	STEEL
14	GASKET	NEOPRENE
15	INSPECTION HATCH	STEEL
16	DISCHARGE PIPE	STEEL PIPE
17	OUTLET FLANGE	STEEL ASTM A105

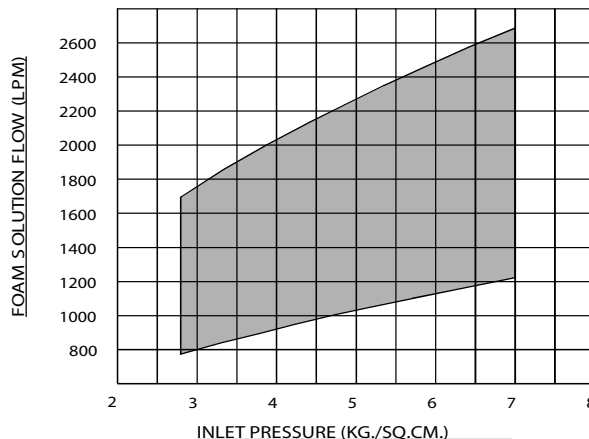
Rapidrop Global

Foam Chamber - Model F

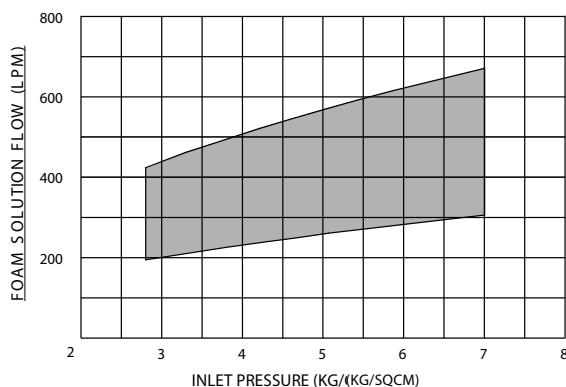
PRESSURE VS FLOW PERFORMANCE CHARACTERISTIC



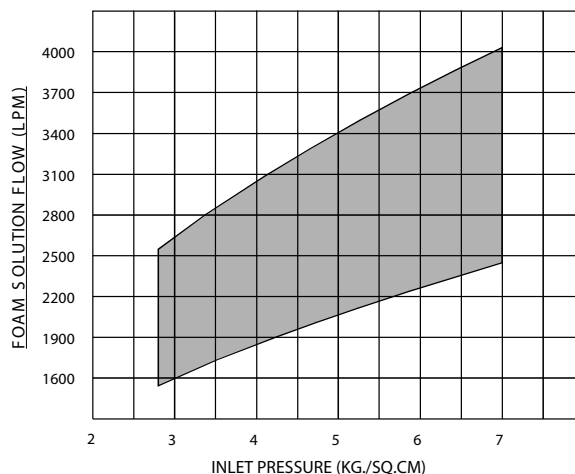
SIZE 50NB



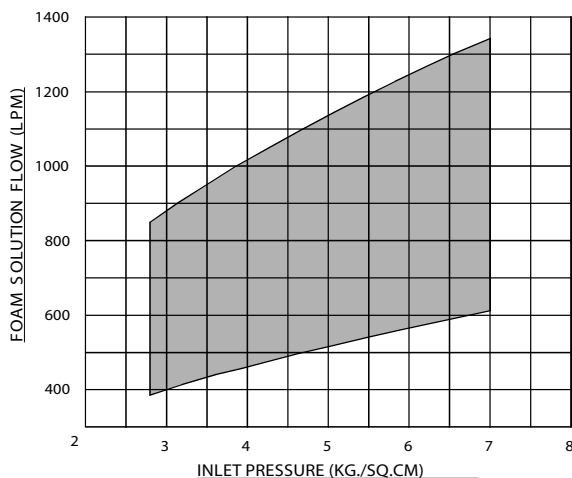
SIZE 100NB



SIZE 65NB



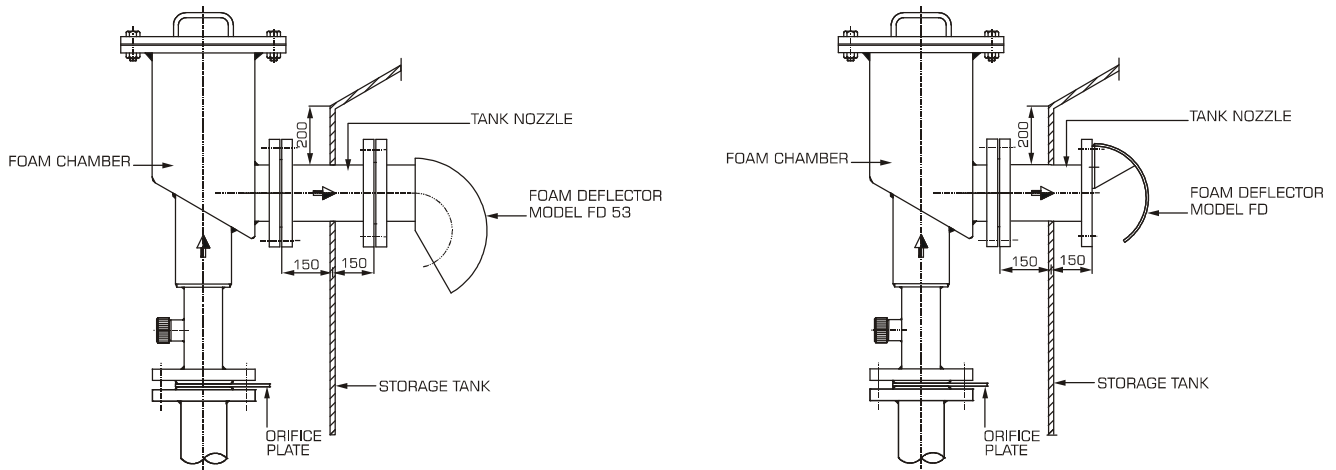
SIZE 150NB



SIZE 80NB

Foam Chamber - Model F

TYPICAL FOAM CHAMBER (MODEL - F) INSTALLATION WITH DEFLECTOR



APPLICATION

The Foam Deflector is used with the Foam Chamber. The aerated foam from the Foam Chamber is directed in to the deflector for the gentle application of the expanded foam. The deflector reduces the expanded foam velocity and allows the foam to slide down the tank wall.

Note : Above dimension are general guideline only. The system designer can adopt the dimensions as per NFPA/ TAC/OISD or as per the governing rules & ordinances having local jurisdiction.

LIMITED WARRANTY

Products supplied by RAPIDROP, are warranted against defects in material and workmanship for a period of Two (2) years from the date of shipment. RD's obligation under this warranty is limited to replace or repair the products or its parts, which are shown to RD's examination to be in a defective condition attributable to RD. No warranty is given for products or components which have been subject, to misuse, improper installation, corrosion, wear and tear, improper storage, modification or repaired. If the defect attributable to RD cannot be rectified by repair or replacement, then RD may elect to refund the purchase price of the equipment in complete discharge of its obligation under this Limited Warranty.

IN NO EVENT SHALL RAPIDROP, BE LIABLE IN CONTRACT, STRICT LIABILITY OR ANY OTHER LEGAL THEORY, FOR INCIDENTAL, IN-DIRECT, SPECIAL OR CONSEQUENTIAL DAMAGES, INCLUDING DAMAGES, FOR INJURY TO PERSON OR DEATH OR DAMAGE TO PROPERTY AND OR PENALTIES RESULTING FROM ANY PRODUCTS OR COMPONENT MANUFACTURED OR ASSEMBLED BY RD. THIS IS LIMITED WARRANTY ONLY. RD DISCLAIMS WITH RESPECT TO THE PRODUCTS ALL IMPLIED WARRANTIES OF MERCHANTABILITY AND ALL IMPLIED WARRANTIES OF FITNESS FOR A PARTICULAR PURPOSE. THERE IS NO WARRANTY OF ANY NATURE MADE BY RD BEYOND AS STATED ABOVE.

NOTICE :

The equipment presented in this bulletin is to be installed in accordance with the latest publication standards of NFPA or other similar organisations and also with the provision of government codes or ordinances wherever applicable.

The information provided by us are to the best of our knowledge and belief, and are general guidelines only. Site handling and installation control is beyond our reach. Hence we give no guarantee for result and take no liability for damages, loss or penalties whatsoever, resulting from our suggestion, information, recommendation or damages due to our product.

Product development is a continuous programme of RAPIDROP, and hence the right to modify any specification without prior notice is reserved with the company.