

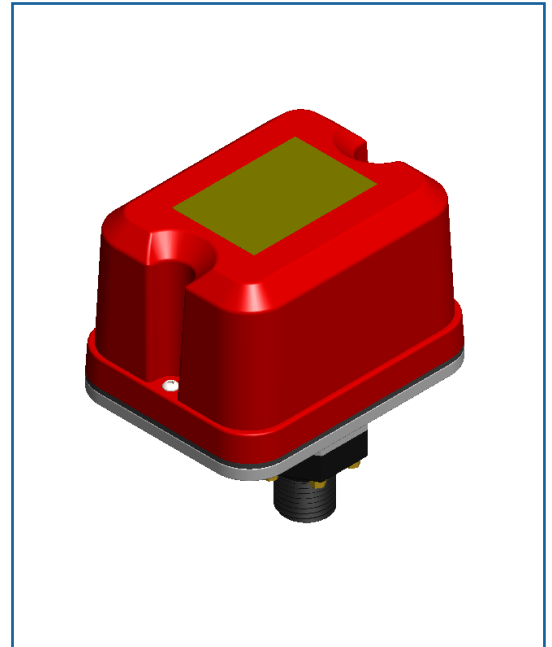
# EPS10-1 AND EPS10-2 Alarm Pressure Switches

## Description

EPS10 Series switches are designed for use in wet, dry, deluge, and pre-action automatic sprinkler systems to indicate a discharge from a sprinkler.

- Sensitivity adjustment wheel, no special tools required
- Reinforced diaphragm resists pressure spikes
- Two conduit entrances
- Both one- and two-switch models available

The EPS10-1 has a single SPDT switch while the EPS10-2 model contains two SPDT switches. The EPS10 Series features field adjustable pressure sensitivity to provide an alarm response between 4 and 20 psi. It is factory set to respond at 4 – 8 psi on rising or falling pressure. The pressure adjustment wheel requires no special tools and does not affect switch synchronization on the EPS10-2. The EPS10 Series switches are NEMA 4 rated.



## Specifications, EPS10-1 and EPS10-2

### Architectural/Engineering Specifications EPS10-1 (SPDT), EPS10-2 (2/SPDT)

Model shall be an EPS10-1 or EPS10-2 pressure type waterflow switch as supplied by Rapidrop Global Ltd. They shall be installed on the sprinkler system with connection as shown on the drawings and/or as specified herein. Pressure switches shall be of the bellows-activated type. Switches shall have a maximum service pressure rating of 250 psi and shall be factory adjusted to operate at a pressure of 4 – 8 psi. There shall be one (1) or two (2) SPDT contacts rated at 10.0 Amp @ 125/250 VAC and 2.5 Amp @ 6/12/24 VDC. The contractor shall furnish and install, where indicated on the plans, pressure switches according to appropriate NFPA standards. Switches shall be provided with a ½" NPT male pressure connection to be connected to the alarm check valve of a "wet" sprinkler system, into the intermediate chamber of a "dry" system, or to a pre-action or deluge valve. They shall be activated by any flow of water equal to or in excess of the discharge from one sprinkler head. Switches shall provide 1 knockout type and 1 open hole for ½" conduit fitting attachment and a ground screw provision for electrical grounding. The switch enclosure shall be weatherproof and carry a UL 4x/NEMA 4 rating when used with proper electrical fittings and conduit. The cover shall incorporate tamper-resistant screws. The unit shall be listed by Underwriters Laboratories, Inc. and approved by Factory Mutual.

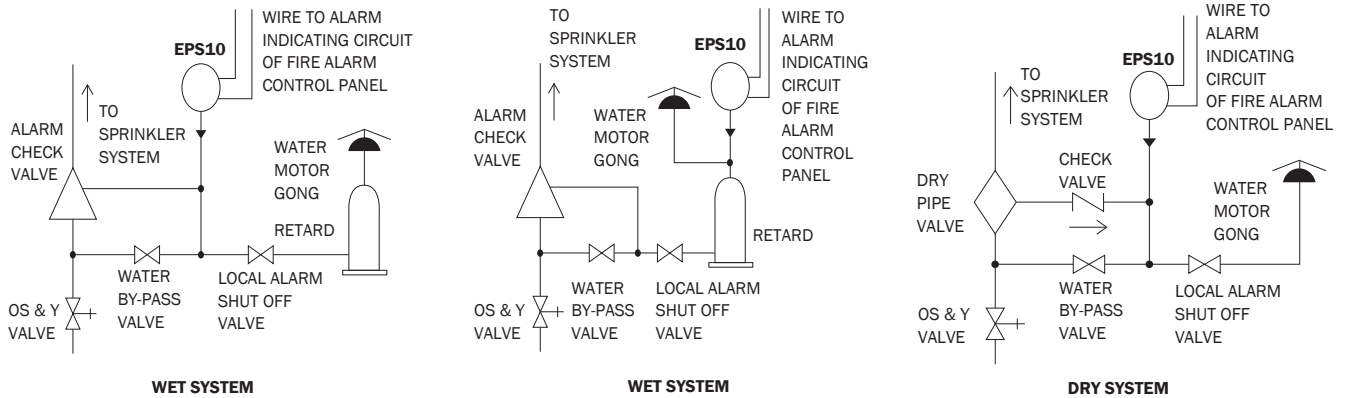
### Physical/Operating Specifications

<b>Maximum Operating Pressure</b>	250 psi	<b>Operating Temperature Range</b>	Indoor or outdoor use: –40°F to 160°F (–40°C to 71°C)
<b>Maximum Adjustment Pressure Range</b>	4 to 20 psi	<b>Cover Tamper Switch</b>	UL Models: Optional P/N 546-8000 ULC Models: Factory Installed
<b>Differential</b>	Approximately 3 psi throughout range	<b>Enclosure</b>	Rated UL 4x, NEMA 4 for indoor or outdoor use
<b>Factory Setting</b>	Operates at rising pressure 4 to 8 psi	<b>Shipping Weight</b>	1.2 lbs. (.54 Kg)
<b>Switch Contact Ratings</b>	EPS10-1: One set SPDT (Form C) EPS10-2: Two sets SPDT (Form C) 10.0 A, ½ HP @ 125/250 VAC 2.5 A @ 6/12/24 VDC	<b>Service Use</b>	Automatic Sprinkler: NFPA 13 One or Two Family Dwelling: NFPA 13D Residential Occupancies up to 4 Stories: NFPA 13R National Fire Alarm Code: NFPA 72
<b>Pressure Connection</b>	½" NPT male glass reinforced nylon	<b>Warranty</b>	3 years
<b>Dimensions</b>	5.12" H × 3.325" W × 4.250" L (13.0 cm × 8.4 cm × 10.8 cm)		

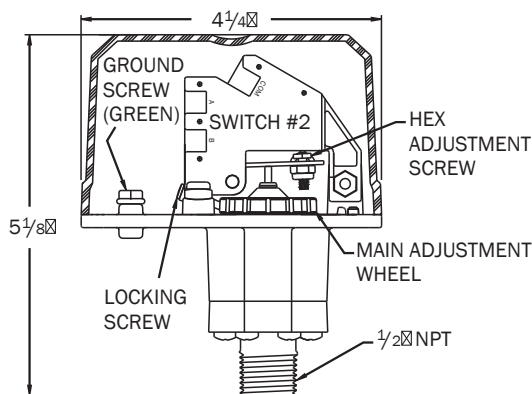


# EPS10-1 AND EPS10-2 Alarm Pressure Switches

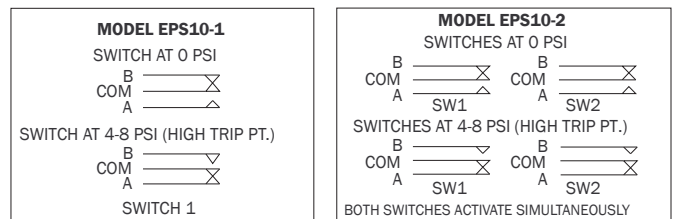
### Typical Sprinkler Applications



### Pressure Switch Basic Dimensions



### Electrical Connections



### Ordering Information

Part No.	Description
EPS10-1	Alarm Waterflow Pressure Switch, One SPDT, 4-20 PSI
EPS10-2	Alarm Waterflow Pressure Switch, Two SPDT, 4-20 PSI
EPSA10-1	ULC/Canadian Version
EPSA10-2	ULC/Canadian Version
Replacement Parts	
S07-66-02	Replacement Tamper Screws for Cover of EPS
WFDW	Replacement Tamper Proof Wrench for Cover of EPS
546-8000	Cover Tamper Switch for EPS Series

