

SPECIFICATIONS

CLASSIFIED BY UNDERWRITERS LABORATORIES INC. for use in the through penetration fire stop systems. The applicable rating information is listed at 2 hours for flame, temperature, and/or hose stream. A 20ga. box, with knock out provision in inner box; (penetration of fire protection box, to accommodate piping, and the restoration of fire stop around penetration, shall be completed by installing contractor). 20 ga. tubular steel door with 18 ga. frame and a continuous steel hinge. All components are powder-coated with an electrostatically-applied, thermally-fused, recoatable white polyester finish. All glass door styles provided with clear tempered safety glass. Wall mounting and size of cabinet as selected by model number.

REGULARLY FURNISHED

FIRE HOSE CABINET - For use with 1-1/2" Fire Hose Rack Assembly and Portable Fire Extinguisher

*FIRE RATED

*UL Classified 7N43

MODEL SELECTION

- FRC1302 Recessed
- FRC1304 Recessed
- FRC1306 Recessed
- FRC1312 Trimless
- FRC1314 Trimless
- FRC1316 Trimless
- FRC1332 Semi-Recessed
- FRC1334 Semi-Recessed
- FRC1336 Semi-Recessed
- FRC1342 Semi-Recessed
- FRC1344 Semi-Recessed
- FRC1346 Semi-Recessed

PRODUCT OPTIONS

DOOR AND FRAME MATERIAL:

- AL ALUMINUM: Clear Anodized Finish
- SS STAINLESS STEEL: 304 w/ #4 Finish
- PB BRASS: Polished Finish
- BZ BRONZE: Call for Options

FINISHES:

- ALUMINUM: Duranodic Finish
 - Light Medium Dark
- STAINLESS STEEL: Finish as Specified
 - 304 w/ #6 Dull Satin 304 w/ #8 Mirror



PRODUCT OPTIONS (cont.)

- RED: Powder Coat
- CUSTOMER COLORS _____ (Specify)

CABINET MODIFICATIONS:

- DANA TYPE: Frameless Concealed Hinge and Handle Construction (recessed cabinet only)
- HF Horizontal Fold Cabinet

DOOR STYLES:

- A Full Glass, w/ Tempered Safety Glass
- B Break-Glass, w/ Lock & Break Rite® Handle
- D Duo-Panel w/ Tempered Safety Glass
- DV Duo-Vertical Panel w/ Tempered Safety Glass
- DVL Duo-Vertical Panel w/ Lock, TSG & Break Rite® Handle
- E Tempered Safety Glass (25 sq. in.) w/ Break Rite® Handle
- F Flush Solid Metal
- FS Flush Solid Metal w/ lock
- J Insert Panel
- (Specify) Optional inserts for glass-style doors

****NOTE: DOOR STYLES -A, -D, -DV, -F, & -J PROVIDED w/ LEVER HANDLE/CAM LATCH**

****NOTE: ALL GLASS DOOR STYLES PROVIDED WITH CLEAR TEMPERED SAFETY GLASS IN COMPLIANCE WITH ANSI Z97-1-1984**

Call Potter Roemer - Fire Pro for current listings and approvals. Dimensions are subject to manufacturer's tolerance and may change without notice. Potter Roemer - Fire Pro assumes no responsibility for use of void or superseded data. © Copyright Potter Roemer - Fire Pro, Member of Morris Group International™ Please visit potterroemer.com for most current specifications.

FRC1300 SERIES

Date: 03/27/14

MEMBERSHIP



FIRE EQUIPMENT
MANUFACTURERS'
ASSOCIATION

ONFSA
NATIONAL IRRE SPRINKLER ASSOCIATION, INC.



CASPE
American Society of
Plumbing Engineers



POTTER ROEMER/FIRE PRO

Headquarters:
P.O. Box 3527
City of Industry, CA
91744 U.S.A.
Los Angeles Area
800-366-3473
626-855-4890

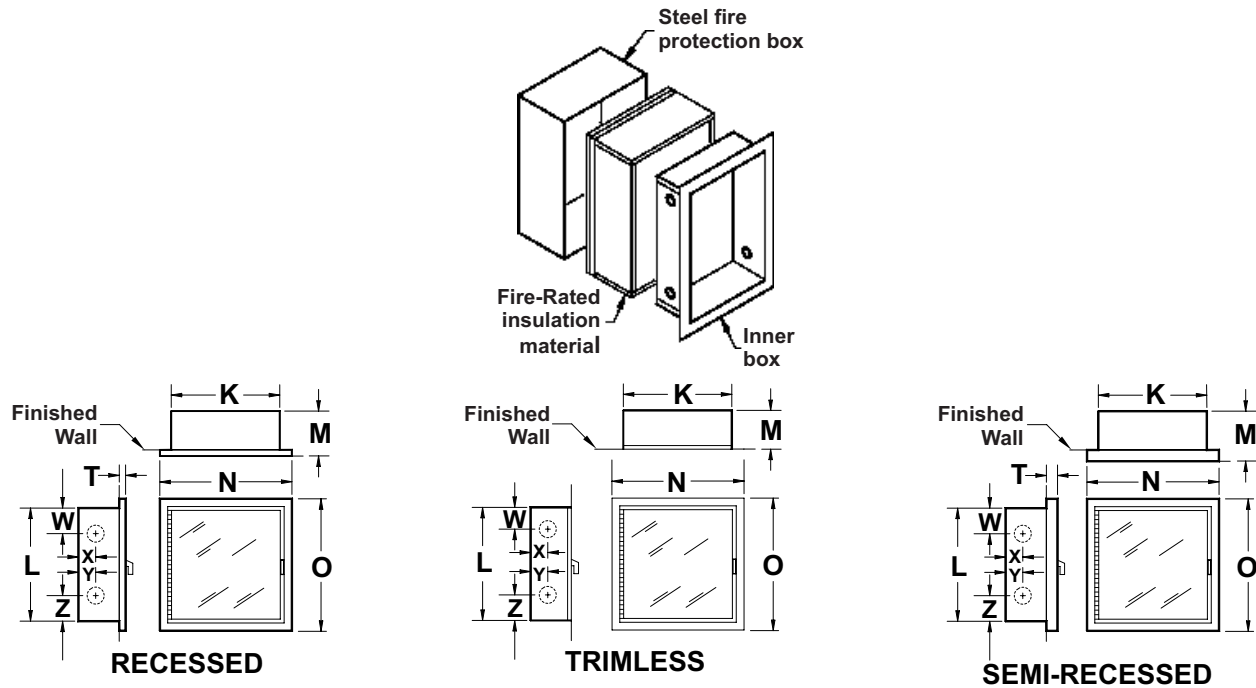
Also in:
New York (800) 526-4592
Chicago (800) 547-3473
Atlanta (800) 762-0542
Miami (866) 961-3473
Dallas (866) 644-3473

www.potterroemer.com

MODEL DIMENSIONS

| Model No. | Wall Mounting | Max. Capacity | | Inside Box Dimensions | | | Overall Frame | | Wall Opening Required | | | Trim | Inlet Location | | | |
|-----------|---------------|---------------|----------------|-----------------------|----|---|---------------|--------|-----------------------|-------------|-----------|-------|----------------|---|-------|---|
| | | Poly flex ft. | Super flex ft. | K | L | M | N | O | W I D T H | H E I G H T | D E P T H | | T | W | X | Y |
| FRC1302 | Recessed | 75 | 50 | 30 | 30 | 8 | 33-3/4 | 33-3/4 | 32-1/4 | 32 | 9-1/8 | 5/8 | 4 | 4 | 2-3/4 | 4 |
| FRC1304 | Recessed | 100 | 75 | 30 | 36 | 8 | 33-3/4 | 39-3/4 | 32-1/4 | 38 | 9-1/8 | 5/8 | 4 | 4 | 2-3/4 | 4 |
| FRC1306 | Recessed | 100 | 100 | 30 | 40 | 8 | 33-3/4 | 43-3/4 | 32-1/4 | 42 | 9-1/8 | 5/8 | 4 | 4 | 2-3/4 | 4 |
| FRC1312 | Trimless | 75 | 50 | 30 | 30 | 8 | 33 | 33 | 32-1/4 | 32 | 10-1/2 | - | 4 | 4 | 2-3/4 | 4 |
| FRC1314 | Trimless | 100 | 75 | 30 | 36 | 8 | 33 | 39 | 32-1/4 | 38 | 10-1/2 | - | 4 | 4 | 2-3/4 | 4 |
| FRC1316 | Trimless | 100 | 100 | 30 | 40 | 8 | 33 | 43 | 32-1/4 | 42 | 10-1/2 | - | 4 | 4 | 2-3/4 | 4 |
| FRC1332 | Semi-Recessed | 75 | 50 | 30 | 30 | 8 | 33-1/2 | 33-1/2 | 32-1/4 | 32 | 7 | 2-3/4 | 4 | 4 | 2-3/4 | 4 |
| FRC1334 | Semi-Recessed | 100 | 75 | 30 | 36 | 8 | 33-1/2 | 39-1/2 | 32-1/4 | 38 | 7 | 2-3/4 | 4 | 4 | 2-3/4 | 4 |
| FRC1336 | Semi-Recessed | 100 | 100 | 30 | 40 | 8 | 33-1/2 | 43-1/2 | 32-1/4 | 42 | 7 | 2-3/4 | 4 | 4 | 2-3/4 | 4 |
| FRC1342 | Semi-Recessed | 75 | 50 | 30 | 30 | 8 | 33-1/2 | 33-1/2 | 32-1/4 | 32 | 5 | 4-3/4 | 4 | 4 | 2-3/4 | 4 |
| FRC1344 | Semi-Recessed | 100 | 75 | 30 | 36 | 8 | 33-1/2 | 39-1/2 | 32-1/4 | 38 | 5 | 4-3/4 | 4 | 4 | 2-3/4 | 4 |
| FRC1346 | Semi-Recessed | 100 | 100 | 30 | 40 | 8 | 33-1/2 | 43-1/2 | 32-1/4 | 42 | 5 | 4-3/4 | 4 | 4 | 2-3/4 | 4 |

ALL DIMENSIONS ARE IN INCHES UNLESS OTHERWISE NOTED



Call Potter Roemer - Fire Pro for current listings and approvals. Dimensions are subject to manufacturer's tolerance and may change without notice. Potter Roemer - Fire Pro assumes no responsibility for use of void or superseded data. © Copyright Potter Roemer - Fire Pro, Member of Morris Group International™ Please visit potterroemer.com for most current specifications.

FRC1300 SERIES Date: 03/27/14

MEMBERSHIP



FIRE EQUIPMENT
MANUFACTURERS'
ASSOCIATION

ONFSA
NATIONAL IRRE SPRINKLER ASSOCIATION, INC.



CASPE
American Society of
Plumbing Engineers



POTTER ROEMER/FIRE PRO

Headquarters:
P.O. Box 3527
City of Industry, CA
91744 U.S.A.
Los Angeles Area
800-366-3473
626-855-4890

Also in:
New York (800) 526-4592
Chicago (800) 547-3473
Atlanta (800) 762-0542
Miami (866) 961-3473
Dallas (866) 644-3473

www.potterroemer.com