

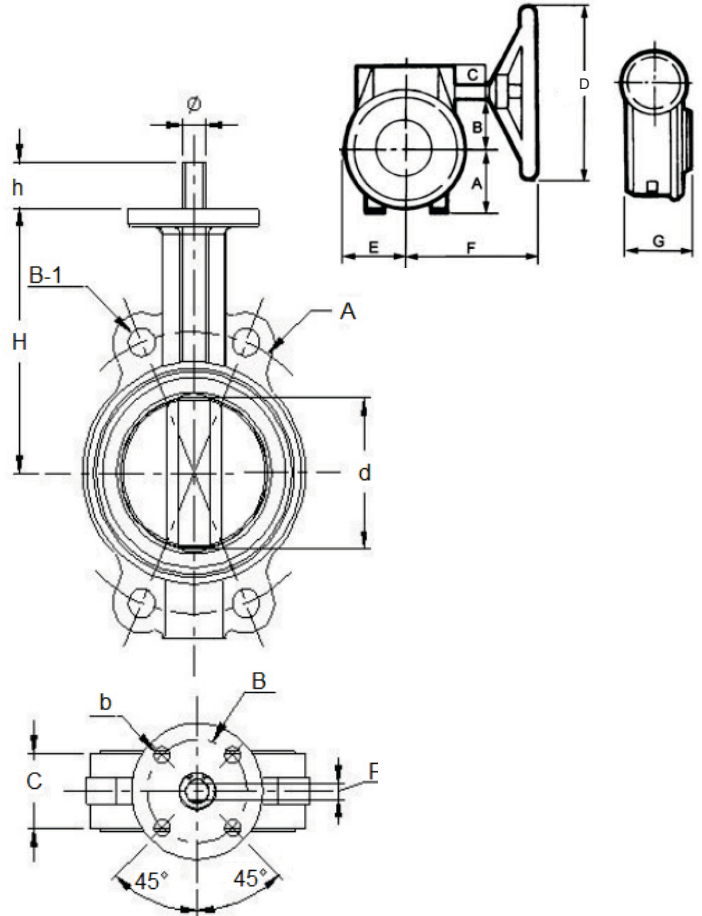


Butterfly Valve

- Cast iron body
- Ductile iron disc
- BUNA N liner

Gear Operator Dimensions

Valve Size	A	B	C	E	F	G	Ø
2" - 6"	1.98	1.52	1.22	2.06	3.20	2.70	5.91



Valve Dimensions

Size	H	d	D	A	a	B-1	B	b	C	e	h	StemØ	F (flat)
2"	5.51	2.05	3.54	4.75	4-5/8"	0.75	2.25	0.30	1.61	45°	1.37	0.56	0.375
2.5"	6.02	2.48	4.02	5.50	4-5/8"	0.75	2.25	0.30	1.75	45°	1.37	0.56	0.375
3"	6.26	3.07	4.69	6.00	4-5/8"	0.75	2.25	0.30	1.75	45°	1.37	0.56	0.375
4"	7.00	4.09	5.90	7.50	8-5/8"	0.75	2.75	0.44	2.00	22.5°	1.37	0.63	0.44
5"	7.50	4.85	7.13	8.50	8-3/4"	0.87	2.75	0.44	2.12	22.5°	1.37	0.75	0.5
6"	8.01	5.95	8.19	9.50	8-3/4"	0.87	2.75	0.44	2.12	22.5°	1.37	0.75	0.5

Contact factory for sizes up to 36".

⚠ WARNING: Cancer and Reproductive Harm - www.P65Warnings.ca.gov

<p>Call Potter Roemer - Fire Pro for current listings and approvals. Dimensions are subject to manufacture's tolerance and may change without notice. Potter Roemer - Fire Pro assumes no responsibility for use of void or superceded data. Please visit potterroemer.com for most current specifications</p> <p>FP3528-WG Revised: 09/07/18</p>	<p>MEMBERSHIP</p> 	<p>POTTER ROEMER/FIRE PRO</p> <p>Headquarters: P.O. Box 3527 City of Industry, CA 91744 U.S.A. Los Angeles Area 800-366-3473 626-855-4890</p> <p>Also in: New York (800) 526-4592 Chicago (800) 547-3473 Atlanta (800) 762-0542 Miami (866) 961-3473 Dallas (866) 644-3473</p> <p>www.potterroemer.com</p>
---	---	---