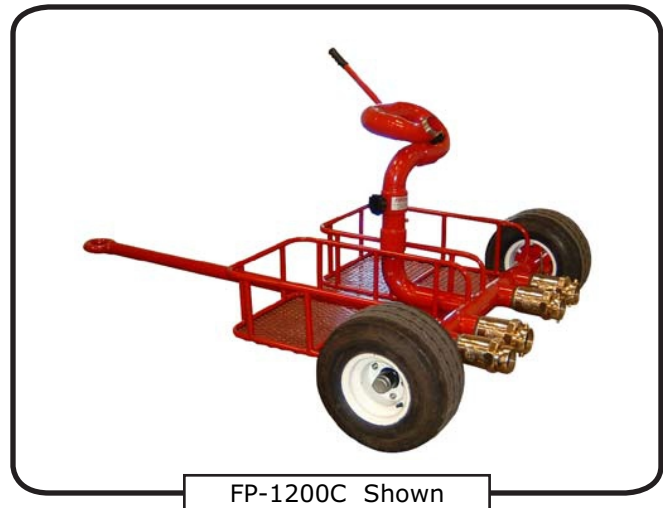


SPECIFICATIONS

Potter Roemer/ Fire Pro® 2-wheel trailer portable monitors are designed for higher flow/reach requirements. The balanced flow single waterway design and precision machining on swivel joints reduces friction loss while improving stream and distance, and ensures ease of operation at all pressure/ flow ranges.

Carbon Steel construction with 304 stainless steel swivels. Standard red polyester powder coating inside and out protect against corrosion.

Type 304 stainless steel ball bearings in joints ensure easy movement and reliable operation.



FP-1200C Shown

REGULARLY FURNISHED

- Seamless carbon or stainless steel construction
- Zerk fitting for lubrication
- Low friction loss
- 360° horizontal and 120° vertical travel
- FP-750C = 750 GPM (2839 lpm) & FP-1200C = 1200 GPM (4542 lpm)
- Wheel locks and low profile tires

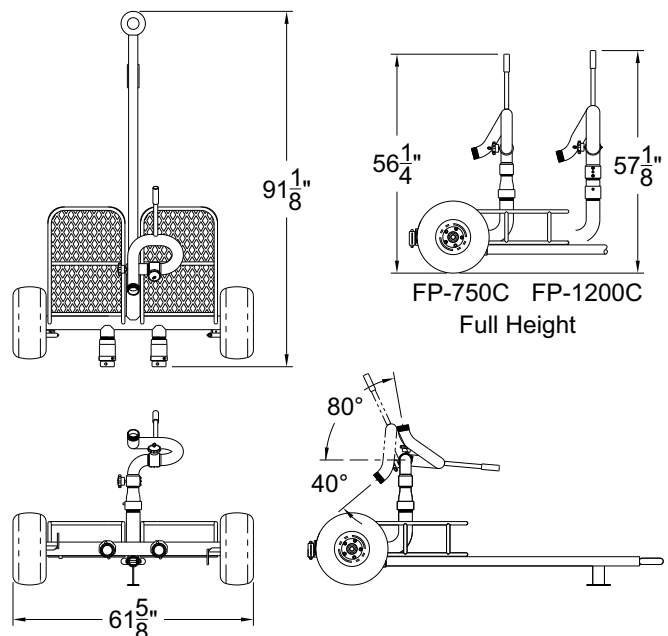
MODEL	OUTLET In (mm)	INLET In (mm)	WEIGHT Lbs (kg)
FP-750C	2-1/2" (64) Waterway w/ 2 x 2-1/2" (64) Female Swivel	2-1/2" (64)	270 (123)
FP-1200C	3" (76) Waterway w/ 2-1/2" (64) Male Thread & 4 x 2-1/2" (64) Female Swivel	3" (76)	290 (132)

PRODUCT OPTIONS

- Drainage Provisions
- Gauge and Guard
- Metric Flanges
- Parallel Handle
- Shut Off Valve
- Steering Wheel Handle

FINISHES:

- Customer Colors _____ (Specify)



FP-750C Shown

Call Potter Roemer - Fire Pro for current listings and approvals. Dimensions are subject to manufacture's tolerance and may change without notice. Potter Roemer - Fire Pro assumes no responsibility for use of void or superceded data. Please visit potterroemer.com for most current specifications

FP-750C

Date: 03/10/14

MEMBERSHIP



FIRE EQUIPMENT
MANUFACTURERS'
ASSOCIATION

ONFSA
NATIONAL FIRE SPRINKLER ASSOCIATION, INC.



CASPE
American Society of
Plumbing Engineers



POTTER ROEMER/FIRE PRO

Headquarters:
P.O. Box 3527
City of Industry, CA
91744 U.S.A.
Los Angeles Area
800-366-3473
626-855-4890

Also in:
New York (800) 526-4592
Chicago (800) 547-3473
Atlanta (800) 762-0542
Miami (866) 961-3473
Dallas (866) 644-3473

www.potterroemer.com