

SPECIFICATIONS

MODEL 4021-FA1

Cast bronze angle valve with inside screw rising stem, internal parts of brass and chrome silicon. Red aluminum hand wheel. Regulates pressure under both flow and no-flow conditions.

MODELS 4023-FA1, 4023-FA1-GRV

Cast bronze angle valve with inside screw rising stem, internal parts of brass and chrome silicon. Red aluminum hand wheel. Regulates pressure under both flow and no-flow conditions.

MODEL 4023IL-FA1, 4023IL-FA1-GRV

Cast bronze in line valve with inside screw rising stem, internal parts of brass and chrome silicon. Red aluminum hand wheel. Regulates pressure under both flow and no-flow conditions.

MODEL SELECTION

- 4021-FA1** Angle 2-1/2" Female N.P.T. inlet and Outlet
- 4023-FA1** Angle 2-1/2" Female N.P.T. inlet x Male Hose Thread Outlet
- 4023-FA1-GRV** Angle 2-1/2" Grooved Inlet x Male Hose Thread Outlet
- 4023IL-FA1** In Line 2-1/2" Female NPT x Male Hose Thread Outlet
- 4023IL-FA1-GRV** In Line 2-1/2" Grooved Inlet x Male Hose Thread Outlet



PRODUCT OPTIONS

FINISHES:

- C Rough Chrome Plated

OPTION: (Models 4021-4023 Only)

- MSA Monitor Switch Adapter

THREADS:

- NST
- OTHER _____

Call Potter Roemer - Fire Pro for current listings and approvals. Dimensions are subject to manufacturer's tolerance and may change without notice. Potter Roemer-Fire Pro assumes no responsibility for use of void or superseded data. © Copyright Potter Roemer- Fire Pro, Member of Morris Group International™ Please visit potterroemer.com for most current specifications.

4021-4023 SERIES Date: 10/13/20

MEMBERSHIP



FIRE EQUIPMENT
MANUFACTURERS'
ASSOCIATION

ONFSA
NATIONAL FIRE SPRINKLER ASSOCIATION, INC.



POTTER ROEMER/FIRE PRO

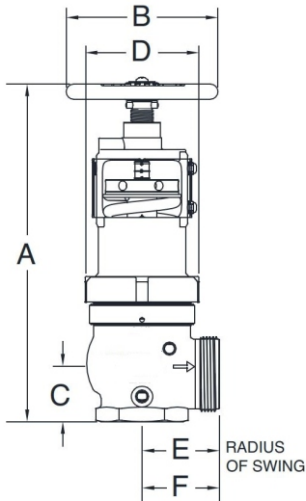
Headquarters:
P.O. Box 3527
City of Industry, CA
91744 U.S.A.
Los Angeles Area
800-366-3473
626-855-4890

Also in:
New York (800) 526-4592
Chicago (800) 547-3473
Atlanta (800) 762-0542
Miami (866) 961-3473
Dallas (866) 644-3473

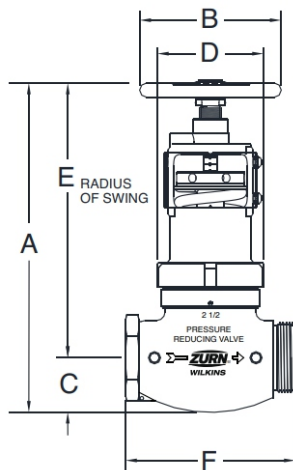
www.potterroemer.com

MODEL DIMENSIONS

MODEL	A Open		A Close		B		C		D		E		F		WEIGHT	
	in.	mm	in.	mm	in.	mm	in.	mm	in.	mm	in.	mm	in.	mm	lbs	kg
4021-FA1	13-7/8	352	13-1/4	337	6-1/4	159	2	51	5	127	3-1/2	89	3-1/16	78	23	10.4
4023-FA1	13-7/8	352	13-3/8	340	6-1/4	159	2	51	5	127	3-1/2	89	3-1/4	83	22.5	10.2
4023-FA1-GRV	14-1/2	368	14	356	6-1/4	159	2-1/2	64	5	127	N/A	N/A	3-1/4	83	22.5	10.2
4023IL-FA1	14-1/2	368	14	356	6-1/4	159	2-1/2	64	5	127	12-7/16	316	7-1/2	191	26.75	12.1
4023IL-FA1-GRV	14-1/2	368	14	356	6-1/4	159	2-1/2	64	5	127	N/A	N/A	8-3/4	222	27	12.2



4021-FA1 - 2-1/2" Female N.P.T. Inlet and Outlet
4023-FA1 - 2-1/2" Female N.P.T. Inlet x Male Hose Thread Outlet
4023-FA1-GRV - 2-1/2" Grooved Inlet x Male Hose Thread Outlet



4023IL-FA1 - 2-1/2" Female N.P.T. Inlet x Male Hose Thread Outlet
4023IL-FA1-GRV - 2-1/2" Grooved Inlet x Male Hose Thread Outlet

Call Potter Roemer - Fire Pro for current listings and approvals. Dimensions are subject to manufacturer's tolerance and may change without notice. Potter Roemer-Fire Pro assumes no responsibility for use of void or superceded data. © Copyright Potter Roemer- Fire Pro, Member of Morris Group International™ Please visit potterroemer.com for most current specifications.

4021-4023 SERIES

MEMBERSHIP



FIRE EQUIPMENT
MANUFACTURERS'
ASSOCIATION



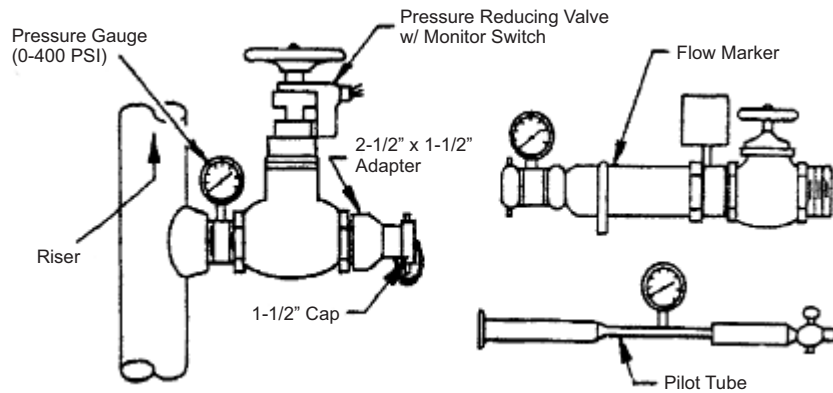
POTTER ROEMER/FIRE PRO

Headquarters:
P.O. Box 3527
City of Industry, CA
91744 U.S.A.
Los Angeles Area
800-366-3473
626-855-4890

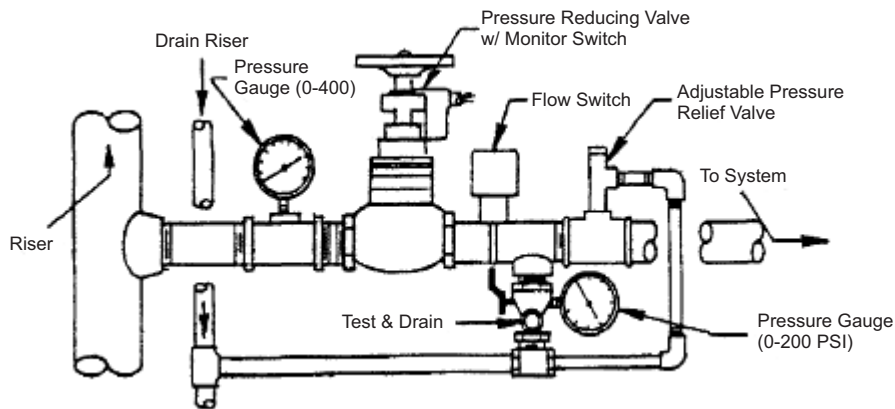
Also in:
New York (800) 526-4592
Chicago (800) 547-3473
Atlanta (800) 762-0542
Miami (866) 961-3473
Dallas (866) 644-3473

www.potterroemer.com

Recommended Installation:



Pressure Regulating Hose Connection Valve Installation (Fig No. 4035 Shown)



Pressure Regulating Floor Control Valve Installation

TESTING AND MAINTENANCE OF PRESSURE REDUCING VALVES

Pressure reducing valves achieve their function by mechanical means, therefore, the valves must be exercised on a routine basis. If the valves are left in a closed position for long periods of time they may not function within their original design parameters. These valves are an integral part of fire safety systems and the testing and maintenance schedule that follow will provide the owner/operator of the property with years of satisfactory service. To neglect these procedures is an invitation to failure when these valves are most necessary.

Sprinkler Valves

1. Inspect monthly to verify:
 - *In the open position
 - *Not leaking
 - *Maintaining downstream pressures
 - *Handwheel installed and not broken
 - *Downstream Pressure relief valve operates
2. Annual flow test conducted on each valve:
 - *Open the sectional drain valve or test & drain and compare the results with the original installation or acceptance test
 - *Testing in place:
 - Note Pressure reading on upstream and downstream gauges in static mode with sectional drain valve test & drain open
 - Note pressure readings on upstream and downstream gauges in residual mode
 - *See Test Result Procedure

Hose Connection Valves

1. Inspect weekly to verify:
 - *Handwheel installed and not broken
 - *The outlet hose threads are not damaged
 - *Not leaking
 - *The reducer and/or cap are not missing
 - *Pressure gauge registers upstream reading
 - *Monitor switch is operating
2. Annual flow test conducted on each valve:
 - *Test in place by placing a gauge on the downstream side and a flow reading is taken using a pilot tube or a flow meter
 - *See Test Result Procedure

Test Result Procedure Sprinkler Valves & Hose Connection Valves

Readings from the test results are to be compared to the systems hydraulic demands at the location. Field adjustable valves are to be reset if necessary in accordance with the original instructions. Non-adjustable valves that no longer comply with the systems hydraulic demands are to be replaced.