

REN

RUBBER NOZZLE

The REN is a rubber nozzle highly suitable for Plymovent's fixed extractors, exhaust hose reels and straight rails (vice grip recommended).

Recommended for today's trucks, private cars and especially vehicles with twin exhaust pipes. The REN is designed to take in ambient cooling air thereby reducing the exhaust emission temperature.

The nozzle is composed of moulded, high temperature resistant rubber.

The nozzle includes a CO-outlet for measuring emission values.



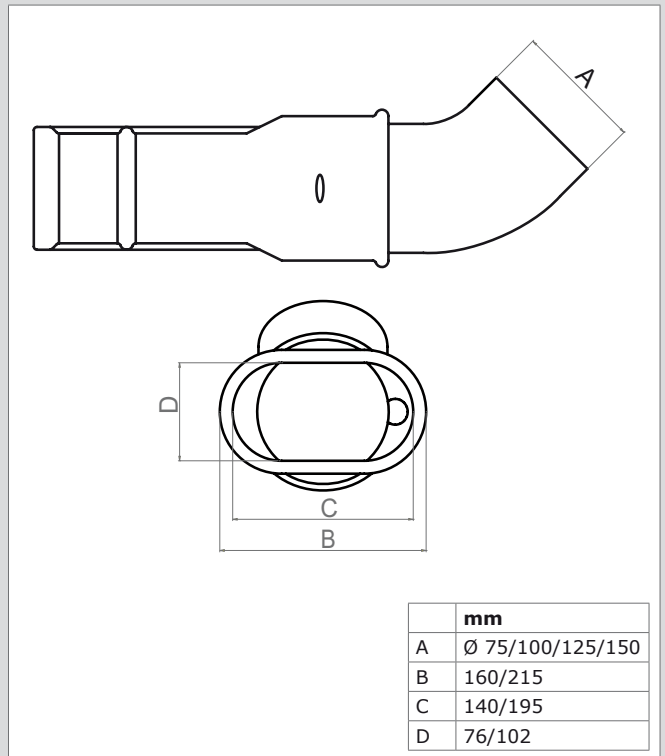
SPECIFICATIONS

■ Physical dimensions and properties	
Material	rubber
Colour	black
Temperature resistance	150°C/ 300°F continuously
■ Scope of supply	
REN Rubber nozzle - Exhaust hose	
■ Order information	
Refer to remaining specifications	
■ Shipping date	
Gross weight	see remaining specifications
Harmonized Tariff Code	8421.39.8090
Country of origin	Sweden

REMAINING SPECIFICATIONS

Article number	Dimensions exhaust hose	Weight
90150-1011	Ø 75 mm/3"	1.00 kg
90155-1011	Ø 100 mm/4"	1.10 kg
90160-1011	Ø 100 mm/4"	1.50 kg
90165-1011	Ø 125 mm/5"	1.65 kg
90170-1011	Ø 150 mm/6"	1.80 kg

DIMENSIONS



Product type	REN
Article no.	refer to remaining specifications
Product category	Nozzles
Version	110711/0

Always check the latest version on www.plymovent.com.