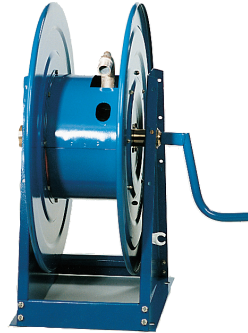
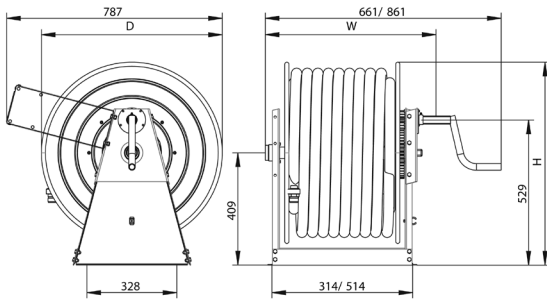


• NOHA MODEL S87



NOHA UTILITY HOSE REEL, PLANT-AIR

For general maintenance purposes.

NOHA MODEL S87 IS SUPPLIED WITH:

- Hose reel made of galvanized steel
- Piping parts 316L stainless steel
- Paint according to NOHA offshore specification for galvanized steel, RAL 5017 blue
- Supply through the centre of the reel
- Hose connection to reel: 1" BSP female
- Reel inlet 2" BSP female left hand side
- Hand crank for rewind
- Design pressure 12 bar
- Design temperature $-9/+35^{\circ}\text{C}$
- Hose and documentation are not included
- NOHA installation instructions

Model	Hose length	Dimensions in mm W x H x D	Order number	Dry weight
	25 mm			
S87	0 m	380 x 740 x 660	400 151	35 kg
S87	0 m	580 x 740 x 660	400 152	40 kg

OPTIONS

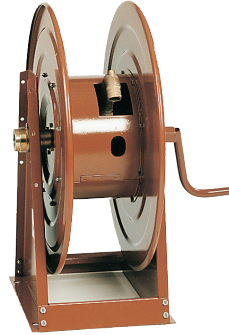
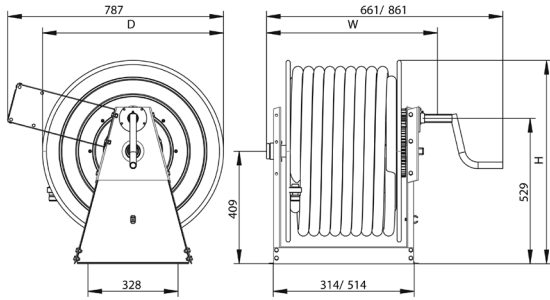
- Reel inlet right hand side
- Hose reel sheet metal parts made of stainless steel

ACCESSORIES:

- Hose guide 314
- Hose guide 514
- 1:3 gearing device



• NOHA MODEL S88



NOHA UTILITY HOSE REEL, DIESEL

For general maintenance purposes

NOHA MODEL S88 IS SUPPLIED WITH:

- Hose reel made of galvanized steel
- Piping parts gunmetal
- Paint according to NOHA offshore specification for galvanized steel, RAL 8002 brown
- Supply through the centre of the reel
- Reel inlet 2" BSP female left hand side
- Hand crank for rewind
- Design pressure 15 bar
- Design temperature $-9/+35^{\circ}\text{C}$
- Oil resistant antistatic rubber hose with working pressure 20 bar
- Hose coupling reel end 25mm: 1" BSP female, swivel, gunmetal
- Hose coupling nozzle end 25mm: 1" BSP male, fixed, gunmetal
- Hose coupling reel end 38mm: 1 1/2" BSP female, swivel, gunmetal
- Hose coupling nozzle end 38mm: 1 1/2" BSP male, fixed, gunmetal
- Documentation and nozzle are not included
- NOHA installation instructions

Model	Hose length			Dimensions in mm W x H x D	Order number	Dry weight
	25 mm	31 mm	38 mm			
S88	0 m			380 x 740 x 660	400 161	35 kg
S88	20 m			380 x 740 x 660	400 162	54 kg
S88	25 m			380 x 740 x 660	400 163	58 kg
S88	0 m			580 x 740 x 660	400 164	40 kg
S88			0 m	630 x 740 x 660	400 165	43 kg

OPTIONS

- Reel inlet right hand side
- Hose reel sheet metal parts made of stainless steel

ACCESSORIES:

- Hose guide 314
- Hose guide 514
- Puiis fuel pistol
- 1:3 gearing device

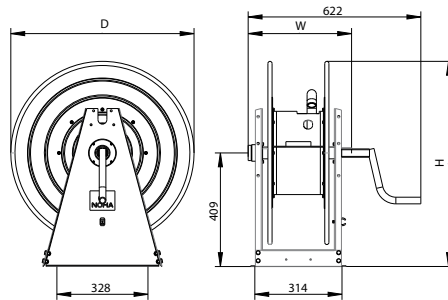


• NOHA MODEL S89



NOHA UTILITY HOSE REEL, HP 230 BAR

For general maintenance purposes.



NOHA MODEL S89 IS SUPPLIED WITH:

- Hose reel made of galvanized steel
- Piping parts AISI 316L stainless steel
- Paint according to NOHA offshore specification for galvanized steel, RAL 6002 green
- Water supply through the centre of the reel
- Reel inlet: 1/2" NPT male thread left hand side
- Hose connection to reel 3/8" BSP female thread, 60° cone
- Hand crank for rewind
- Bolts and nuts in stainless steel
- Design pressure 230 bar
- Design temperature -5,5/+95°C
- NOHA installation instructions
- *Hose and documentation are not included*
- **Options:** See page 13-15

Model	Hose Length	Dimensions in mm W x H x D	Order number	Dry Weight
	10 mm			
S89	0 m	380 x 740 x 660	400 171	35 kg

• NOHA UTILITY FRAME

NOHA UTILITY FRAME

For Hose Reel 314. Carbon Steel construction. Color RAL 7038 according to NORSOK 501.

Model	Order number
NOHA Utility Frame	281 979



- 1: Support frame
- 2: Plate 20 mm
- 3: Plate 5 mm
- 4: Plate 5 mm

