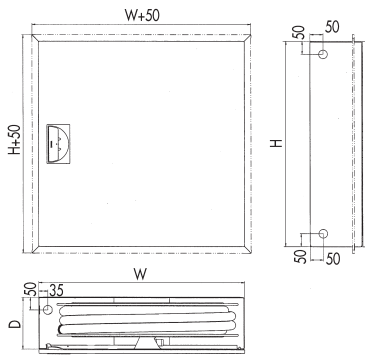


• NOHA MODEL 3



NOHA FIRE HOSE REEL AND CABINET FOR WALL-MOUNTING OR RECESS-MOUNTING

Hose reel mounted on the door which opens 180°. The reel can easily be removed from the cabinet to facilitate the installation.

For use in office buildings, schools, hospitals, kindergartens, sports arenas, cinemas, hotels and conference centres, airports and shopping centres.

NOHA MODEL 3 IS CE-MARKED ACCORDING TO EN671-1 AND SUPPLIED WITH:

- Hose reel with side discs powder coated RAL 3001 red gloss 15
- 1" manual stop valve
- NOHA quick-change coupling system on reel outlet
- NOHA jet/spray/shut-off nozzle
- NOHA special black hose, designed to standard EN694 for fire hose reels
- NOHA special supply hose
- Centre parts made of brass
- Adjustable brake
- Hinges on right hand side
- NOHA door catch/release handle
- Ø35 mm knockouts for inlet pipework on 3 sides
- Removable back wall, made of galvanized steel; can be used as a mounting template
- Cabinet, except back wall, powder coated RAL 9010 white gloss 15
- Door sign in accordance with Council Directive 92/58/EEC
- NOHA installation instructions

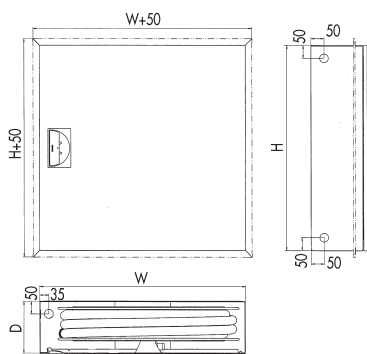
Model	Hose length in metres		Dimensions in mm W x H x D	Order number
	19 mm	25 mm		
3	20		795 x 795 x 110	555038
3	25		795 x 795 x 110	555039
3	30		795 x 795 x 110	555040
3		20	795 x 795 x 200	555044
3		25	795 x 795 x 200	555045
3		30	795 x 795 x 200	555046
3	20		695 x 695 x 110	555047
3	25		695 x 695 x 160	555048
3	30		695 x 695 x 160	555049
3		20	695 x 695 x 285	555220
3		25	695 x 695 x 285	555221
3		30	695 x 695 x 285	555222
Trim frame for recess mounting			795 x 795	555204
			695 x 695	555203

OPTIONS

- Cabinet RAL 3001 red
- Cabinet RAL ____ (smooth surface gloss 70)
- Door for manual call point
- Hinges on left hand side
- Red hose
- Light hose



• NOHA MODEL 3A



NOHA FIRE HOSE REEL WITH AUTOMATIC STOP VALVE AND CABINET FOR WALL-MOUNTING OR RECESS-MOUNTING

Hose reel mounted on the door which opens 180°. The reel can easily be removed from the cabinet to facilitate the installation. The automatic stop valve opens to provide full capacity within just two revolutions of the reel.

For use in office buildings, schools, hospitals, kindergartens, sports arenas, cinemas, hotels and conference centres, airports and shopping centres.

NOHA MODEL 3A IS CE-MARKED ACCORDING TO EN671-1 AND SUPPLIED WITH:

- Hose reel with side discs powder coated RAL 3001 red gloss 15
- Integrated NOHA automatic stop valve
- NOHA quick-change coupling system on reel outlet
- NOHA jet/spray/shut-off nozzle
- NOHA special black hose, designed to standard EN694 for fire hose reels
- NOHA special supply hose
- Centre parts made of brass
- Adjustable brake
- Hinges on right hand side
- NOHA door catch/release handle
- Ø35mm knockouts for inlet pipework on 3 sides
- Removable back wall, made of galvanized steel; can be used as a mounting template
- Cabinet, except back wall, powder coated RAL 9010 white gloss 15
- Door sign in accordance with Council Directive 92/58/EEC
- NOHA installation instructions

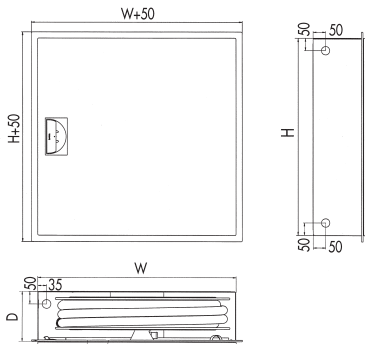
Model	Hose length in metres		Dimensions in mm W x H x D	Order number
	19 mm	25 mm		
3A	20		795 x 795 x 135	555050
3A	25		795 x 795 x 135	555051
3A	30		795 x 795 x 135	555052
3A		20	795 x 795 x 200	555053
3A		25	795 x 795 x 200	555054
3A		30	795 x 795 x 200	555055
3A	20		695 x 695 x 200	555056
3A	25		695 x 695 x 200	555057
3A	30		695 x 695 x 200	555058
Trim frame for recess mounting			795 x 795	555204
			695 x 695	555203

OPTIONS

- Cabinet RAL 3001 red
- Cabinet RAL ____ (smooth surface gloss 70)
- Door for manual call point
- Hinges on left hand side
- Red hose
- Light hose



• NOHA MODEL 3 SST



NOHA FIRE HOSE REEL AND CABINET FOR RECESS-MOUNTING, DOOR AND FRAME BRUSHED STAINLESS STEEL

Hose reel mounted behind the door on a swivel plate which opens 180°. The reel can easily be removed from the cabinet to facilitate the installation.

For use in office buildings, schools, hospitals, kindergartens, sports arenas, cinemas, hotels and conference centres, airports and shopping centres.

NOHA MODEL 3 SST IS CE-MARKED ACCORDING TO EN671-1 AND SUPPLIED WITH:

- Hose reel with side discs powder coated RAL 3001 red gloss 15
- 1" manual stop valve
- NOHA quick-change coupling system on reel outlet
- NOHA jet/spray/shut-off nozzle
- NOHA special black hose, designed to standard EN694 for fire hose reels
- NOHA special supply hose
- Centre parts made of brass
- Adjustable brake
- Hinges on right hand side
- NOHA door catch/release handle
- Door and frame brushed stainless steel
- Ø35 mm knockouts for inlet pipework on 3 sides
- Removable back wall, made of galvanized steel; can be used as a mounting template
- Cabinet, except back wall, powder coated RAL 9010 white gloss 15
- Double 45° wall sign in accordance with Council Directive 92/58/EEC
- NOHA installation instructions

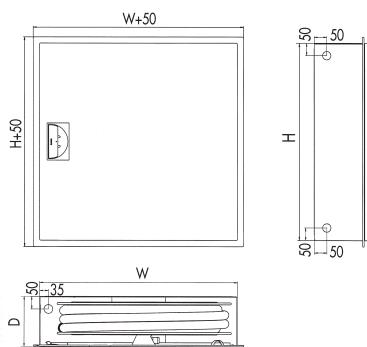
Model	Hose length in metres		Dimensions in mm W x H x D	Order number
	19 mm	25 mm		
3 SST	20		795 x 795 x 110	555071
3 SST	25		795 x 795 x 110	555072
3 SST	30		795 x 795 x 110	555073
3 SST		20	795 x 795 x 200	555077
3 SST		25	795 x 795 x 200	555078
3 SST		30	795 x 795 x 200	555079

OPTIONS

- Door and frame polished stainless steel
- Door for manual call point
- Hinges on left hand side
- Red hose
- Light hose



• NOHA MODEL 3A SST



NOHA FIRE HOSE REEL WITH AUTOMATIC STOP VALVE AND CABINET FOR RECESS-MOUNTING, DOOR AND FRAME BRUSHED STAINLESS STEEL

Hose reel mounted behind the door on a swivel plate which opens 180°. The reel can easily be removed from the cabinet to facilitate the installation. The automatic stop valve opens to provide full capacity within just two revolutions of the reel.

For use in office buildings, schools, hospitals, kindergartens, sports arenas, cinemas, hotels and conference centres, airports and shopping centres.

NOHA MODEL 3A SST IS CE-MARKED ACCORDING TO EN671-1 AND SUPPLIED WITH:

- Hose reel with side discs powder coated RAL 3001 red gloss 15
- Integrated NOHA automatic stop valve
- NOHA quick-change coupling system on reel outlet
- NOHA jet/spray/shut-off nozzle
- NOHA special black hose, designed to standard EN694 for fire hose reels
- NOHA special supply hose
- Centre parts made of brass
- Adjustable brake
- Hinges on right hand side
- Door and frame brushed stainless steel
- NOHA door catch/release handle
- Ø35 mm knockouts for inlet pipework on 3 sides
- Removable back wall, made of galvanized steel; can be used as a mounting template
- Cabinet, except back wall, powder coated RAL 9010 white gloss 15
- Double 45° wall sign in accordance with Council Directive 92/58/EEC
- NOHA installation instructions

Model	Hose length in metres		Dimensions in mm W x H x D	Order number
	19 mm	25 mm		
3A SST	20		795 x 795 x 135	555080
3A SST	25		795 x 795 x 135	555081
3A SST	30		795 x 795 x 135	555082
3A SST		20	795 x 795 x 200	555083
3A SST		25	795 x 795 x 200	555084
3A SST		30	795 x 795 x 200	555085

OPTIONS

- Door and frame polished stainless steel
- Door for manual call point
- Hinges on left hand side
- Red hose
- Light hose

