

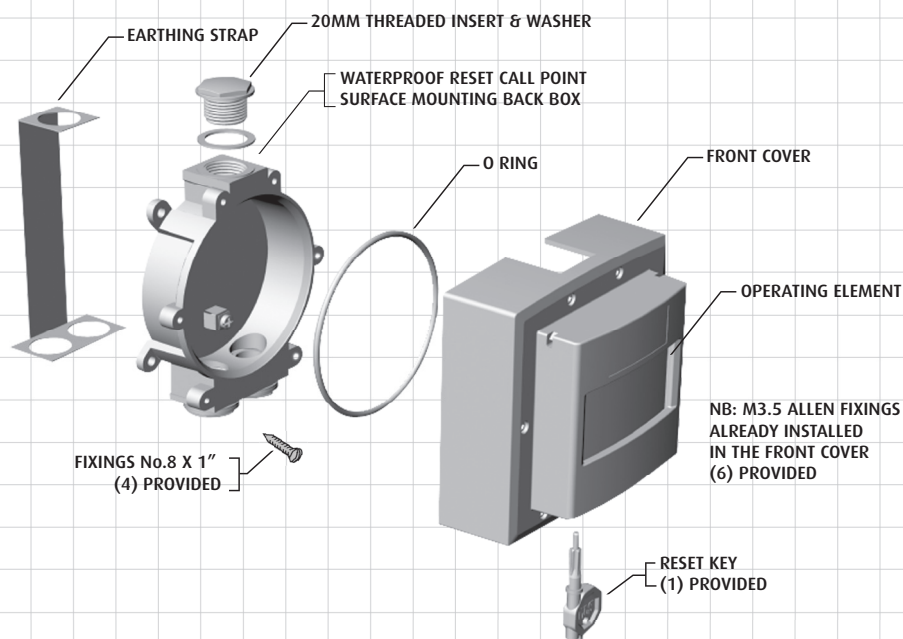
WATERPROOF RESET CALL POINT



FEATURES

- Waterproof tested to IP67
- Glass appearance maintains operator deterrence
- Positive activation that mimics the feel of breaking glass
- Visible warning flag confirms activation
- Simple key to reset operating element – no broken glass
- No glass elements to break, lose or incorrectly fit during installation
- Complete functional test with every activation
- Extremely attractive, high value look and feel
- Low profile, heavy-duty terminations – two built in resistor values
- Available in red, green, yellow, blue or white

▼ Waterproof ReSet components and technical information



STI WATERPROOF RESET CALL POINT

The IP67 Waterproof ReSet has been designed to deal with today's difficult and harsh environments. Like the ReSet call point, it is a unique fire alarm manual call point that mimics the feel of breaking glass whilst offering the user the benefits and safety advantages of a glass-free resettable operating element. Once activated a warning flag drops in to view easily identifying the call point that has been operated. A key can then reset the unit.

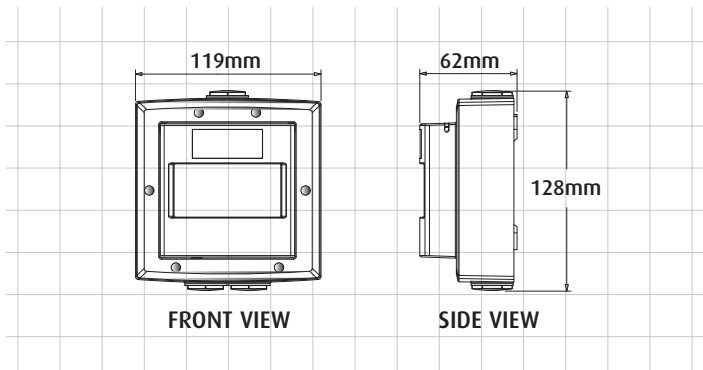
APPLICATIONS

The Waterproof ReSet (WRP) provides an ideal solution for most conventional fire alarm systems. Ideal for all outside applications such as oil rigs, ships, factory's as well as wash down areas that are sensitive to broken glass.

POLYCARBONATE PROTECTION

In many cases, it is advisable to protect the Waterproof ReSet call point with an STI Stopper II. The protective cover consists of a tough polycarbonate material and is available with or without an integral sounder. The cover adds an extra measure of protective against damage or accidental activation. This is especially useful where emergency systems are involved and accidental activation could cause serious delays in production or other operations. Where risk of malicious activations is a concern, the cover with an optional integral sounder can be highly beneficial. When the cover is lifted, the device emits a piercing 96 dB alarm and the prankster will either run or be caught. The Waterproof ReSet can also be supplied with an integral cover to prevent accidental operation.

DIMENSIONS

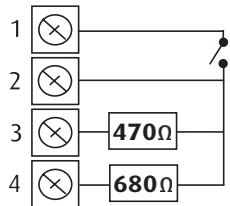


REQUEST A CATALOGUE CALL FREEPHONE 0800 085 1678 (UK). T: +44 (0)1527 520 999

SPECIFICATION

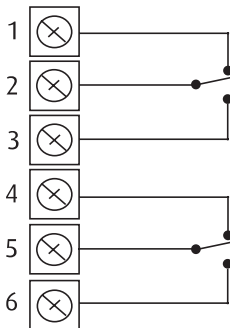
ELECTRICAL ARRANGEMENT

Series 01



Waterproof Series 01 denotes a WRP call point that will interface with most conventional fire alarm systems. It is fitted with two resistors 470 and 680 ohms. These are easily accessed through the installer terminals as illustrated.

Series 11



Waterproof Series 11 denotes a WRP call point that incorporates two independent single pole changeover switches providing double pole changeover contacts. Easily accessed through the installer terminals as illustrated.

NB: Switch arrangements shown with WRP in standby



Positive action – mimics the feel of broken glass.



Warning indicator drops into view when activated.



Simply insert key to reset call point.



A quick turn and the call point is reset straight away.

THE RESET CALL POINT RANGE

Other models are available in the ReSet range.

Call freephone

0800 085 1678

for further details.

Technical Specifications

Current Ratings (Series 01 & 11)	3 Amps 12 - 24V DC
Current Ratings (Series 11)	3 Amps 125 - 250V AC
Housing and Mounting Box Material	Polycarbonate
Electrical Contact Material	Silver plated brass
Operating Temperature	-20°C to +65°C
Installation Terminal Conductor Size	0.5mm to 2.5mm
Colours	Red, Yellow, Green, Blue and White
Mounting	Surface with back box

HOW TO ORDER

All Waterproof ReSet call point numbers begin with WRP and contain 3 other characters

E.G. WRP-R-01/CI = Waterproof ReSet Point, Red, Series 01 with optional integral cover

WRP

Prefix

R

Denotes colour options
R = Red
Y = Yellow
G = Green
B = Blue
W = White

01

Denotes series and electrical arrangement
01 = Conventional fire model includes two resistor values 470 & 680 ohms
11 = Double pole changeover

CI

Denotes optional cover
CN = No Cover
CI = Integral Cover
CSII = Stopper II
CSSII = Stopper II with sounder
CWII = Weather Stopper II

ACCESSORIES

STI F068	Allen Key
STI M210	WRP Test Key
STI F069	Earth Strap
STI C084	'O' Ring
STI M227	20mm Threaded Insert
STI M228	Waterproof Washer



Safety Technology International (Europe) Ltd

Unit 49G Pipers Road • Park Farm Ind. Est. • Redditch • Worcestershire • B98 0HU • England

Tel: 44 (0) 1527 520 999 • Freephone 0800 085 1678 (UK only) • Fax: 44 (0) 1527 501 999 • Email: info@sti-europe.com • Web: www.sti-europe.com

Head Office • Safety Technology International, Inc. • 2306 Airport Road • Waterford • Michigan • 48327 • USA

Tel: 001 248 673 9898 • Fax: 001 248 673 1246 • Toll Free: 0800 888 45TI (USA only) • Email: info@sti-usa.com • Web: www.sti-usa.com

WRP Spec. Rev. 11/07 Printed in England

NEED SALES OR TECHNICAL SUPPORT? CALL FREEPHONE 0800 085 1678 (UK). T: +44 (0)1527 520 999