



NITTAN

# ST-PY-AS Analogue Addressable Optical Sensor

TD-ST-PY-AS-01

September 2007

Page 1 of 1

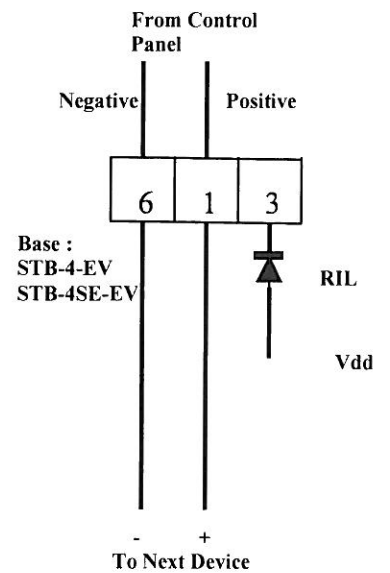
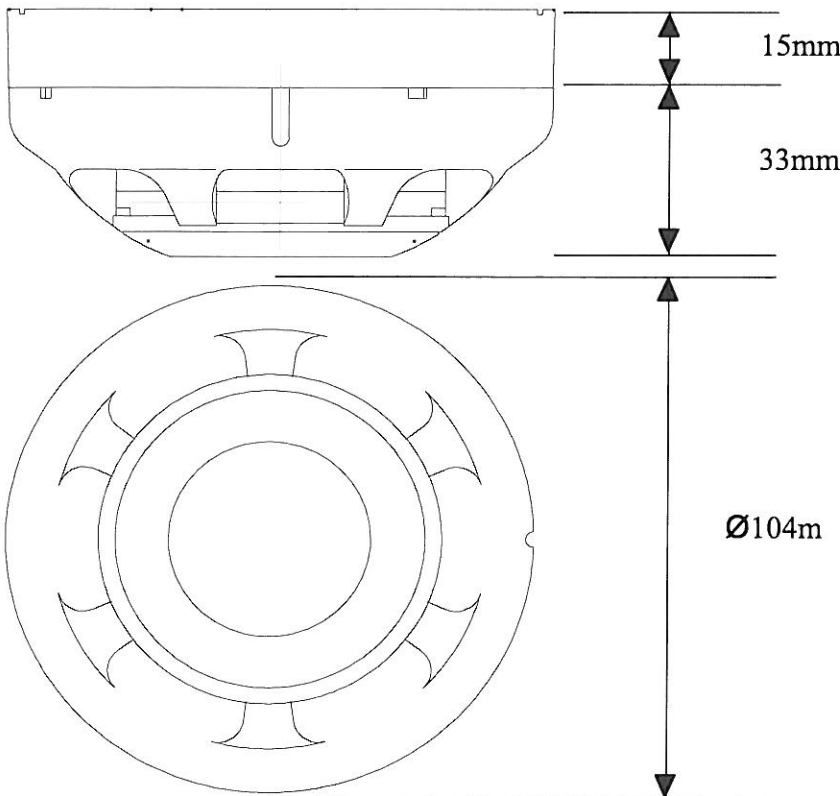
## TECHNICAL DATASHEET

### Part Numbers and Product Order Codes:-

Part Number	- - - - -	ST-PY-AS
Description	- - - - -	Analogue Addressable Optical Sensor.
Computer Reference Number	- - - - -	F14C82100

### Technical Specifications:-

Protocol	- - - - -	Nittan 'AS' Protocol
Sensor Method	- - - - -	Light Scatter
Sensor Element	- - - - -	IR LED and PhotoDiode
Operating Voltage	- - - - -	16V d.c. to 28V d.c.
System Voltage	- - - - -	24V d.c.
Quiescent Current	- - - - -	500µA
Sensitivity	- - - - -	0.19 dB/m to 0.27dB/m
Alarm Current	- - - - -	5mA
Current for external remote LED indicator	- - - - -	2mA
Operating Temperature	- - - - -	- 10°C to + 55°C
Storage Temperature	- - - - -	- 20°C to + 60°C
Charging Time	- - - - -	20 Seconds
Relative Humidity	- - - - -	≤ RH95% non-condensing.
I.P. Protection Rating	- - - - -	IP42
Addressing Method	- - - - -	Soft addressing, Non-Volatile EEPROM.
Material	- - - - -	ABS
Dimensions	- - - - -	Ø104mm x 33mm (Sensor head) Ø104mm x 48mm (Sensor head and STB-4)
Mass	- - - - -	105g (Sensor head) 170g (Sensor head and STB-4 base)
EMC Conformance	- - - - -	EN54-7: 2000.
CE Conformity	- - - - -	Yes
Standards / Certification	- - - - -	EN54-7: 2000



Base :  
STB-4-EV  
STB-4SE-EV